

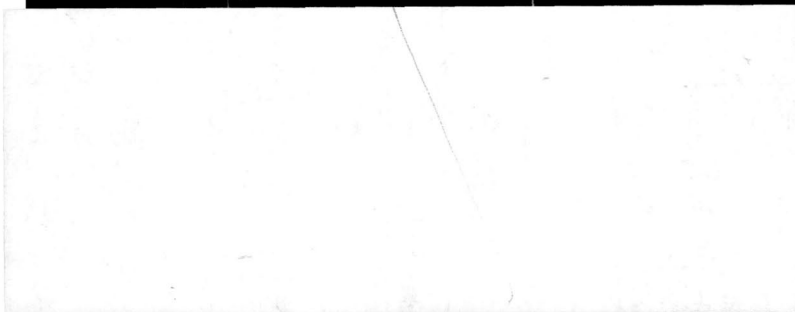


SAAB

SAAB 9000
Quick
Reference
Parts Catalog
1986-98



Quick Reference Guide



1999
EDITION

SAAB Cars USA, Inc
Marietta, GA

**QUICK
REFERENCE
PARTS MANUAL**

| | |
|-----------------------------|----|
| VIN Numbers | |
| Engine Numbers | |
| Transmission | |
| Types | |
| Abbreviations | |
| Equipment | 00 |
| Service Parts | 01 |
| Engine | 02 |
| Electrical System | 03 |
| Transmission | 04 |
| Brakes | 05 |
| Front Suspension & Steering | 06 |
| Wheels & Suspension | 07 |
| Body | 08 |

INTRODUCTION

This Quick Reference Parts Manual is provided by your Saab Dealer to assist you in obtaining original replacement parts. Saab vehicles are quality built and to maintain this quality, they should be repaired/serviced with original replacement parts only. These parts are designed and manufactured to the highest standard of quality and reliability required by Saab.

The parts listed in this Manual cover a wide range. We will make every effort to constantly review the parts included, to insure that this Manual remains timely and effective. We will make the necessary changes to reflect any supersessions as subsequent issues of this Manual are published.

Please be aware that this Manual cannot replace any valid microfiche. Part numbers for new applications and supersessions are always published first in their respective microfiche.

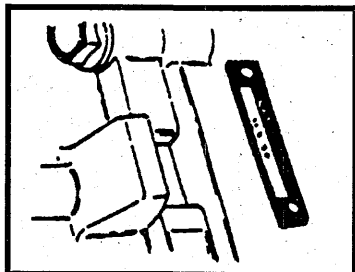
If you have any questions pertaining to Saab parts, contact your authorized Saab Dealer's Parts Department. They are there to help you obtain the correct part for any repair or service.

© SAAB CARS USA, INC.

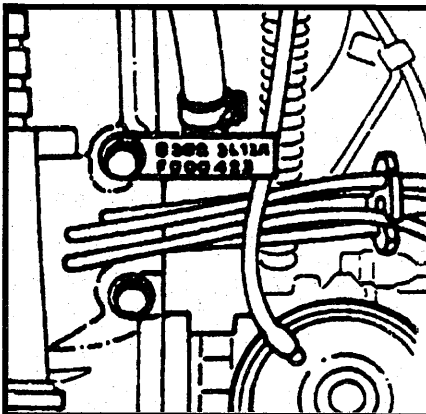
All rights reserved. Reproduction or transmission in whole or in part is not permitted without written authorization from publisher.

Published by Saab Cars USA, Inc.
Printed in the United States of America.

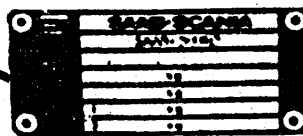
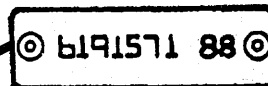
GEAR BOX NUMBER



ENGINE NUMBER

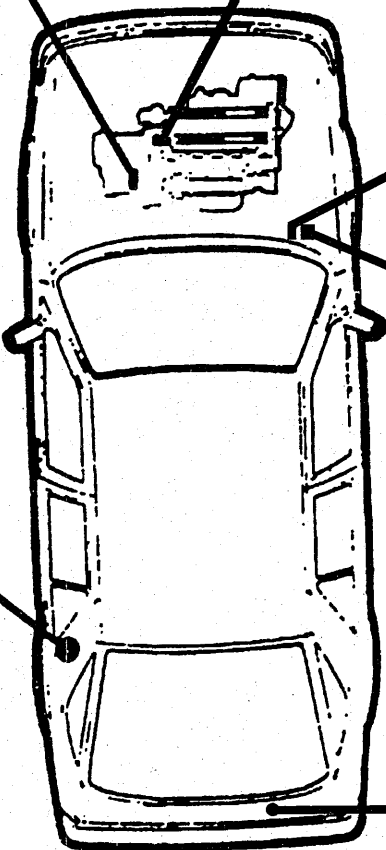
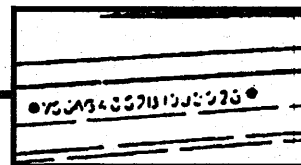


BODY NUMBER



CHASSIS NUMBER

CHASSIS NUMBER STAMPED ON BODY



| | | |
|----------------------------------|--------------------------|--------------|
| TOTAL 3 PASSENGERS | | |
| 1 - 3 | 0-190 km/h 170 kPa 170 | 240 kPa |
| 0-120 km/h | | |
| 4 - 5 | 0-190 km/h 140 kPa 140 | 240 kPa |
| 0-120 km/h | | |
| 4 - 8 | 190-200 km/h 400 kPa 400 | 240 kPa |
| 130-190 km/h | | |
| TYRE SIZE 205/50 BR16 | | |
| RIM SIZE 5 X 16 | | |
| THE TYRES FITTED TO THIS VEHICLE | | |
| SHALL HAVE A MAX. LOAD RATING | | |
| NOT LESS THAN 121 KG, OR A | | |
| LOAD INDEX OF 21 AND A SPEED | | |
| CATEGORY SYMBOL OF Z. | | |
| BODY COLOUR 190 | | CAR NO 80000 |
| TRIM COLOUR F20 | | |
| SAAB | | |

IDENTIFICATION NUMBERS

YS3 C T 5 5 L X M 1 000001

SAAB-SCANIA Sweden _____

Product Line _____

C = 9000

Model Series And Restraint System >1990 _____

D = Turbo Model

S = S Model Active

T = Turbo Model Active

L = Turbo Model Passive

Internal Use Only 1991> A - Z

Body Type _____

4 = 4SN >1989 4 = 4D 1990>

5 = 5CK >1989 5 = 5D 1990>

6 = 5CS

Gear Box _____

5 = 5-Speed Manual

8 = 4-Speed Automatic

Engine Type _____

B = B234 Fuel Injection

N = B204L

D = Fuel Injection 16Valve Nat. Asp.

P = B204S

J = B204I

R = B234R

L = Turbo With Intercooler

U = B234E

M = B234 Turbo, B234L

W = B308I

Check Digit: Numeric Or X _____

Year _____

G = 1986

L = 1990

R = 1994

W =

1998

H = 1987

M = 1991

S = 1995

J = 1988

N = 1992

T = 1996

Production Facility _____

1 = Trollhättan, Sweden, Line A

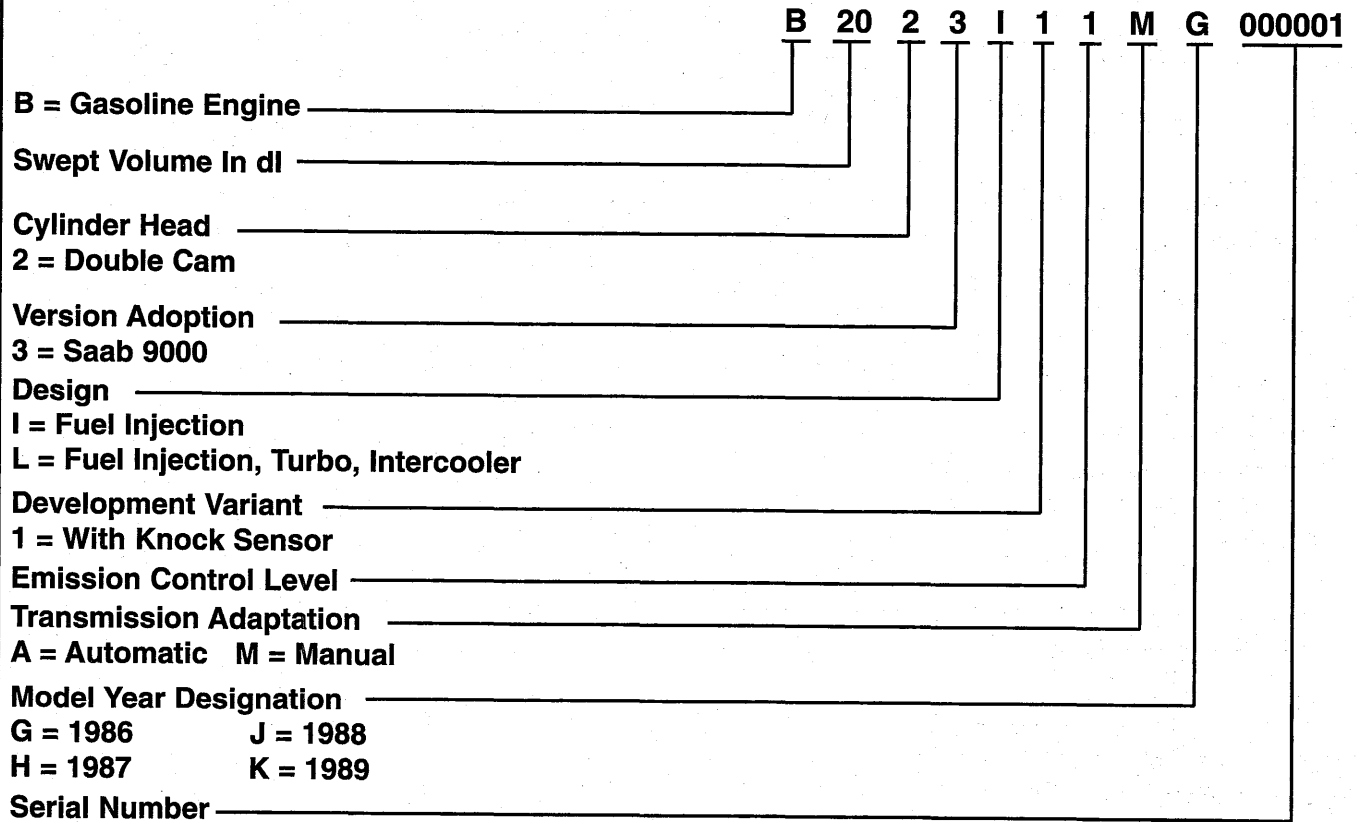
2 = Trollhättan, Sweden, Line B

7 = Nystad, Finland

8 = Trollhättan, Sweden, Line C

Serial Number _____

ENGINE NUMBERS 1986-89



ENGINE NUMBERS 1990>

B 20 2 L 1 M 00 M 00001

B = Gasoline Engine

Swept Volume

20 = 1.985 dm³

23 = 2.290 dm³

30 = 2.962 dm³

Cylinder Head

2 = Twin Cam

4 = Twin Cam. Two Balance Shafts

8 = 6 Cylinder

Design

I = Fuel Injection

L = Fuel Injection, Turbo, Intercooler

Emission Control Level

Transmission Adaptation

A = Automatic M = Manual

Variant

Model Year Designation

L = 1990

R = 1994

W = 1998

M = 1991

S = 1995

N = 1992

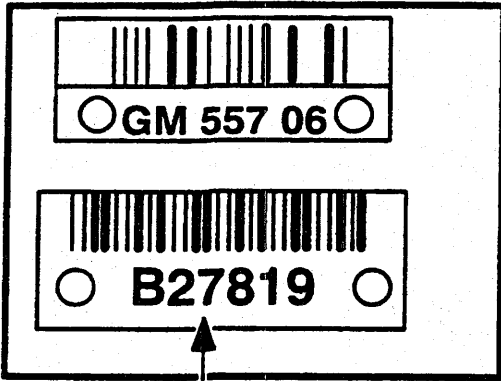
T = 1996

P = 1993

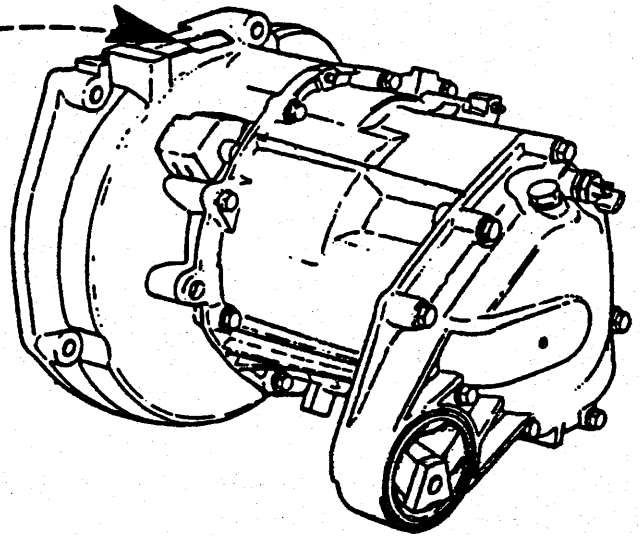
V = 1997

Serial Number

MANUAL TRANSMISSION



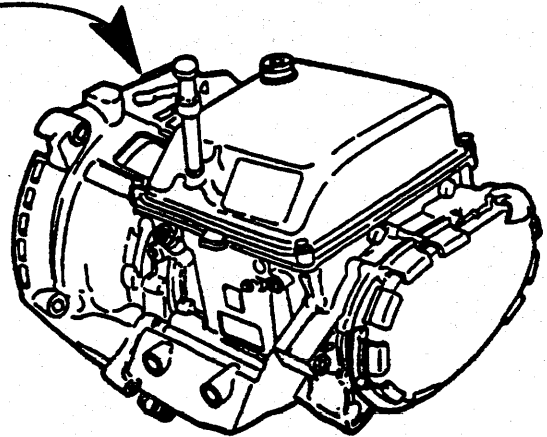
SERIAL NUMBER



AUTOMATIC TRANSMISSION



SERIAL NUMBER



| | | | |
|--------------------------|--|--------|--|
| A | Automatic Transmission | CK | Hatchback, 3D or 5D |
| ABS | Automatic Braking System | CL | Central Locking |
| AC | Air Conditioning | CHSEAT | Child Seat |
| ACC | Automatic Climate Control | CV | Convertible |
| ACS | Automatic Clutch Control | D | Door |
| APC | automatic Performance Control | DI | Direct Ignition |
| ASR | Traction Control System for A/T | EAS | Electrically Adjustable Seat |
| AS 2 | Audio system 4 x 20w | EGR | Exhaust Gas Recirculation |
| AS 3 | Audio System 4 x 20w & 2 x 40w | ELCD | Evaporative Loss Control Device |
| 79-83 900 (94 CV) | | EM | Electric Mirror |
| B201 | 2.0 liter engine with single cam | ETS | Electronic Throttle System |
| B202 | 2.0 liter engine with twin cam, | EW | Electric Window |
| B212 | 2.1 liter engine with twin cam | I | Injection (Non-Turbo) |
| 94> 900 | | IAC | Idle Speed Control (Automatic Idle Control) |
| B204L | 2.0 liter engine with twin cam, two balance shafts, and turbo | LH | Left-hand |
| B234 | 2.3 liter engine with twin cam and two balance shafts | LHD | Left-Hand Drive |
| B258 | 2.5 liter engine - V6 | M | Manual Transmission |
| 9000 | | N/A | Naturally-Aspirated (Non-Turbo) |
| B202 | 2.0 liter engine with twin cam | R | Reverse |
| B234 | 2.3 liter engine with twin cam and two balance shafts | RAC | Rear Air Conditioning |
| B234E | 2.3 liter engine with twin cam, two balance shafts, light pressure turbo | RH | Right-Hand |
| B234L | 2.3 liter engine with twin cam, two balance shafts and standard pressure turbo | SAI | Secondary Air Injection |
| B234R | 2.3 liter engine with twin cam, balance shafts, and high pressure turbo (manual transmission 9000 Aero only) | SN | Sedan (Cars With Trunk) |
| B308 | 3.0 liter engine - V6 | T25 | Turbocharger (9000, excluding Aero with M/T) |
| | | TCS | Traction Control System |
| | | TCM | Traction Control Module |
| | | TD04 | Turbocharger (9000 Aero with M/T) |
| | | TTS | Traction Control System - 900 V6 |
| | | UC | USA California (emissions-related) |
| | | UF | USA Federal (Non-California emissions-related) |
| | | X | Quantity as required |

MODEL YEAR 1986

| Equipment | 9000 Turbo |
|--|---|
| ENGINES 2.0 Liter Turbo | Std |
| PERFORMANCE Electronic fuel injection Engine oil cooler Hall-effect ignition 5-speed manual transmission 4-speed automatic transmission Ventilated front discs 15-spoke alloy wheels - 6" X 15" Gas-hydraulic shocks Front and rear stabilizer bars 80 Amp alternator | Std Std Std Std Opt-LP Std Std Std Std Std |
| SAFETY Front 3-point seat belts with emergency tensioner retractor and adjustable height guide | Std |
| EXTERIOR Electric tilt/slide tinted-glass sunroof Electric tilt/slide tinted-glass sunroof (limited availability in early production) Fog lights Electrically adjustable outside mirrors Electrically heated outside mirror Rear spoiler | Opt -LP Std Opt-LP Std Std Std |
| COMFORT AND CONVENIENCE Automatic Climate Control - ACC Voltage/Temperature trip computer EDU II Pictogram for exterior light failure, doors open Prewired for theft alarm Axially adjustable 3-spoke sport steering wheel Driver's seat adjustable for height/tilt, lumbar support, thigh support Fold down rear seat 60/40 split Leather upholstery Cruise control | Std Std Std Std Std Std Std Std Opt-LP Std |

MODEL YEAR 1986 - Continued

Equipment

9000 Turbo

AUDIO SYSTEM

Clarion 80-watt electronic radio
 Clarion Equalizer
 Opt-LP = leather package

Std
 Std

MODEL YEAR 1987

Equipment

9000S

9000T

ENGINE

2.0-liter

Std

Std

PERFORMANCE

Water-cooled turbocharged, APC, intercooler

Electronic fuel injection

Engine oil cooler

Hall-effect ignition

5-speed manual transmission

4-speed automatic transmission

Ventilated front discs

15-spoke alloy wheels - 6" X 15"

Gas-hydraulic shocks

Front and rear stabilizer bars

80 Amp alternator

Std

Std

Std

Std

Std

Opt

Std

Std

Std

Std

Std

Std

Std

Std

Std

Std

Std

Std

Opt-LP

Std

Std

Std

Std

SAFETY

Front 3-point seat belts with emergency tensioner retractor and adjustable height guide

Std

Std

EXTERIOR

Electric tilt/slide tinted-glass sunroof

Electric tilt/slide steel sunroof

Fog lights

Electrically adjustable outside mirrors

Electrically heated outside mirror

Rear spoiler

Std

Std

Std

Std

Std

Std

Std

00-8

9000

SAAB genuine parts

MODEL YEAR 1987 - Continued

| Equipment | 9000S | 9000T |
|---|--------------|--------------|
| COMFORT AND CONVENIENCE | | |
| Automatic Climate Control - ACC | Std | Std |
| Voltage/Temperature trip computer EDU II | | Std |
| Voltage/fuel consumption display - EDU I | Std | |
| Pictogram for exterior light failure, doors open | Std | Std |
| Prewired for theft alarm | Std | Std |
| Axially adjustable 3-spoke sport steering wheel | Std | Std |
| Driver's seat adjustable for height/tilt, lumbar support, thigh support | Std | Std |
| Driver's and passenger's adjustable heated seat switches | Std | Std |
| Fold down rear seat 60/40 split | Std | Std |
| Leather upholstery | Opt-LP | Std |
| Cruise control | Std | Std |
| AUDIO SYSTEM | | |
| Clarion 80-watt electronic radio | Std | Std |
| Clarion Equalizer | | Std |
| Opt-LP = leather package | | |

MODEL YEAR 1988

| Equipment | 9000S | 9000T |
|---|--------------|--------------|
| ENGINE | | |
| 2.0-liter | Std | Std |
| PERFORMANCE | | |
| Water-cooled turbocharged, APC, intercooler | | Std |
| Electronic fuel injection | Std | Std |
| Hall-effect ignition | Std | Std |
| 5-speed manual transmission | Std | Std |
| 4-speed automatic transmission | Opt | Opt |
| Anti-Lock Brake System - ABS + 3 | Std | Std |
| 15-spoke alloy wheels - 6" X 15" | Std | Std |
| Gas-hydraulic shocks | Std | Std |
| Front and rear stabilizer bars | Std | Std |
| 80 Amp alternator | Std | Std |

MODEL YEAR 1988 - Continued

| Equipment | 9000S | 9000T |
|--|--|--|
| SAFETY Front 3-point seat belts with emergency tensioner retractor and adjustable height guide | Std | Std |
| EXTERIOR Electric tilt/slide tinted-glass sunroof Electric tilt/slide steel sunroof Fog lights Electrically adjustable outside mirrors Electrically heated outside mirror Rear spoiler | Std Opt-LP Std Std | Std Std Std Std |
| COMFORT AND CONVENIENCE Automatic Climate Control - ACC Voltage/Temperature trip computer EDU II Axially adjustable 3-spoke sport steering wheel Driver's seat adjustable for height/tilt, lumbar support, thigh support Driver's and passenger's adjustable heated seat switches Fold down rear seat 60/40 split "Horizon" design upholstery pattern - velour Leather upholstery Rear side door demisters Cruise control | Std Std Std Std Std Std Std Std Opt-LP Std Std | Std Std Std Std Std Std Std Std |
| AUDIO SYSTEM Clarion 80-watt electronic radio Clarion Equalizer Opt-LP = leather package | Std | Std Std |

MODEL YEAR 1989

| Equipment | 9000S | 9000Turbo | 9000 CD Turbo 4 Door |
|--|-------|------------|-------------------------|
| ENGINE 2.0-liter | Std | Std | Std |
| PERFORMANCE Water-cooled turbocharged, APC, intercooler Electronic fuel injection | Std | Std Std | Std Std |

00-10

9000

SAAB genuine parts

MODEL YEAR 1989 - Continued

| Equipment | 9000S | 9000Turbo | 9000 CD Turbo 4 Door |
|--|--------|-----------|-------------------------|
| PERFORMANCE | | | |
| Hall-effect ignition | Std | Std | Std |
| 5-speed manual transmission | Std | Std | Std |
| 4-speed automatic transmission | Opt | Opt | Opt |
| Anti-Lock Brake System - ABS + 3 | Std | Std | Std |
| 15-spoke alloy wheels - 6" X 15" | Std | Std | Std |
| Gas-hydraulic shocks | Std | Std | |
| Self leveling rear shocks | | | Std |
| Front and rear stabilizer bars | Std | Std | Std |
| 80 Amp alternator - Manual Transmission | Std | Std | Std |
| 115 Amp alternator - Automatic Transmission | Std | Std | Std |
| SAFETY | | | |
| Front 3-point seat belts with emergency tensioner retractor (passenger side only 1989 9000 CD) and adjustable height guide | Std | Std | Std |
| Supplemental Restraint System - Air bag (Driver's side only) | | | Std |
| Seat belt/door warning chime | Std | Std | Std |
| EXTERIOR | | | |
| Electric tilt/slide tinted-glass sunroof | | Std | Std |
| Electric tilt/slide steel sunroof | Std | | |
| Fog lights | Opt-LP | Std | |
| Fog lights - integrated into spoiler | | | Std |
| Electrically adjustable outside mirrors | Std | Std | |
| Electrically heated outside mirror | Std | Std | |
| Rear spoiler | | Std | |
| COMFORT AND CONVENIENCE | | | |
| Automatic Climate Control - ACC | Std | Std | Std |
| Voltage/Temperature trip computer EDU II | Std | Std | Std |
| Axially adjustable 3-spoke sport steering wheel | Std | Std | |
| Driver's power front seat - 8 way | Opt-LP | | |
| Dual power front seats - 8 way | | Std | Std |
| Fold down rear seat 60/40 split | Std | Std | |
| Rear center armrest with trunk pass-through tunnel | | | Std |
| "Horizon" design upholstery pattern - velour | Std | | Std |
| Leather upholstery | Opt-LP | Std | Opt-LP |
| Cruise control with "On" indicator | Std | Std | Std |

MODEL YEAR 1989 - Continued

| Equipment | 9000S | 9000Turbo | 9000 CD Turbo 4 Door |
|--|-------|-----------|-------------------------|
| COMFORT AND CONVENIENCE | | | |
| Rear side door window demisters | Std | Std | Std |
| Integrated alarm system | Std | Std | Std |
| Dual illuminated vanity mirrors | Std | Std | Std |
| AUDIO SYSTEM | | | |
| Clarion 80-watt electronic radio | | Std | Std |
| New "Midline" 80-watt electronic radio | Std | | |
| Clarion Equalizer | | | Std |
| Opt-LP = leather package | | | |

MODEL YEAR 1990

| Equipment | 9000S 4 Door | 9000CD Turbo 4 Door | 9000S 5 Door Hatchback | 9000 Turbo 5 Door Hatchback |
|--|-----------------|---------------------------|------------------------------|-----------------------------------|
| ENGINES | | | | |
| 2.0 Liter engine | Std | | Std | |
| 2.3 Liter Non-Turbo (Introduced mid 1990 production) | | Std | | Std |
| PERFORMANCE | | | | |
| Double overhead camshaft | Std | Std | Std | Std |
| Electronic fuel injection | Std | Std | Std | Std |
| Water-cooled turbocharger | | Std | | Std |
| Saab direct ignition system | | Std | | Std |
| Engine oil cooler | | Std | | Std |
| Gas-hydraulic shock absorbers | Std | Std | Std | Std |
| Power-assisted rack-and-pinion steering | Std | Std | Std | Std |
| Automatic self-leveling rear shock absorbers | | Std | | Std |
| Front and rear stabilizer bars | Std | Std | Std | Std |
| Light-alloy wheels | Std | Std | Std | Std |
| 5-speed/overdrive manual transmission | Std | Std | Std | Std |
| 4-speed/overdrive automatic transmission | Opt | Opt | Opt | Opt |

MODEL YEAR 1990 - Continued

| Equipment | 9000S 4 Door | 9000CD Turbo 4 Door | 9000S 5 Door Hatchback | 9000 Turbo 5 Door Hatchback |
|---|-----------------|---------------------------|------------------------------|-----------------------------------|
| SAFETY | | | | |
| Saab Supplemental Restraint System (SRS) | Std | Std | Std | Std |
| Driver's-side air bag | Std | Std | Std | Std |
| Belt tensioner system for passenger seat occupant | Std | Std | Std | Std |
| Padded knee bolsters for front seat occupants | Std | Std | Std | Std |
| 3-point safety belts at all outboard seating position | Std | Std | Std | Std |
| Rear center lap belt | Std | Std | Std | Std |
| Manually activated "childproof" rear door locks | Std | Std | Std | Std |
| Lock-out switch for rear door power window switches | Std | Std | Std | Std |
| Saab Anti-lock Braking System (ABS) | Std | Std | Std | Std |
| EXTERIOR | | | | |
| Electric tilt/slide steel sunroof | Std | | Std | |
| Electric tilt/slide tinted-glass sunroof with interior ventilated sunshade | Opt* | Std | Opt* | Std |
| Front fog lights | Opt* | Std | Opt* | Std |
| Front spoiler | Std | Std | Std | Std |
| Rear spoiler | | | | Std |
| Headlamp wiper and washer system | Std | Std | | |
| COMFORT AND CONVENIENCE | | | | |
| Automatic Climate Control with manual overrides | | Std | | Std |
| Air-conditioning | Std | Std | Std | Std |
| Electrically heated, reclining front bucket seats | Std | Std | Std | Std |
| Power, 8-way adjustable driver's seat | Opt* | Std | Opt* | Std |
| Power adjustable front passenger seat | | Std | | Std |
| Central locking system with integral anti-theft alarm | Std | Std | Std | Std |
| Power windows with "One touch" opening for front windows | Std | Std | Std | Std |
| Electronic speed control with "Cruise On" indicator light | Std | Std | Std | Std |
| Electrically adjustable and heated sideview mirrors | Std | Std | Std | Std |

MODEL YEAR 1990 - Continued

| Equipment | 9000S 4 Door | 9000CD Turbo 4 Door | 9000S 5 Door Hatchback | 9000 Turbo 5 Door Hatchback |
|---|-----------------|---------------------------|------------------------------|-----------------------------------|
| COMFORT AND CONVENIENCE | | | | |
| Head restraints at front and rear outboard seating positions | Std | Std | Std | Std |
| Fold-down rear center armrest | Std | Std | Std | Std |
| Remote trunk release button on driver's door | Std | Std | | |
| 60/40 split fold-down rear seat | | | Std | Std |
| Interior courtesy light delay feature | Std | Std | Std | Std |
| Electric rear window demister | Std | Std | Std | Std |
| Rear side window demisters | | Std | | Std |
| Velour seating surfaces | Std | | Std | |
| Leather seating surfaces | Opt* | Std | Opt* | Std |
| * = Leather option package includes leather-faced seating, power 8-way adjustable driver's seat, electric tilt/slide tinted glass sunroof and front fog lights. | | | | |
| AUDIO SYSTEM | | | | |
| Removable Saab/Clarion AM/FM stereo/cassette | Std | Std | Std | Std |
| Anti-theft lock-out code and warning light | Std | Std | Std | Std |
| 80-watt amplifier | Std | Std | Std | Std |
| Eight speakers | Std | Std | Std | Std |
| Removable Saab/Clarion 7-band graphic equalizer/spectrum analyzer | | Std | | Std |
| INSTRUMENTATION | | | | |
| Electronic display unit | Std | Std | Std | Std |

MODEL YEAR 1991

| Equipment | 9000 5 Door Hatchback | 9000S 5 Door Hatchback | 9000 Turbo 5 Door Hatchback | 9000CD 4 Door | 9000 CD Turbo 4 Door |
|------------------|-----------------------------|------------------------------|-----------------------------------|------------------|----------------------------|
| ENGINES | | | | | |
| 2.3 Liter engine | Std | Std | Std | Std | Std |

00-14

9000

SAAB genuine parts

MODEL YEAR 1991 - Continued

| Equipment | 9000 5 Door Hatchback | 9000S 5 Door Hatchback | 9000 Turbo 5 Door Hatchback | 9000CD 4 Door | 9000 CD Turbo 4 Door |
|---|-----------------------------|------------------------------|-----------------------------------|------------------|----------------------------|
| PERFORMANCE | | | | | |
| Double overhead camshaft | Std | Std | Std | Std | Std |
| Electronic fuel injection | Std | Std | Std | Std | Std |
| Water-cooled turbocharger | | | Std | | Std |
| Saab direct ignition system | | | Std | | Std |
| Engine oil cooler | | | Std | | Std |
| Gas-hydraulic shock absorbers | Std | Std | Std | Std | Std |
| Power-assisted rack-and-pinion steering | Std | Std | Std | Std | Std |
| Automatic self-leveling rear shock absorbers | | | | | Std |
| Sport suspension package | | | Std | | |
| Front and rear stabilizer bars | Std | Std | Std | Std | Std |
| Light-alloy wheels | | Std | Std | Std | Std |
| 5-speed/overdrive manual transmission | Std | Std | Std | N/A | N/A |
| 4-speed/overdrive automatic transmission with split torque and direct drive | Opt | Opt | Opt | Std | Std |
| SAFETY | | | | | |
| Saab Supplemental Restraint System (SRS) | Std | Std | Std | Std | Std |
| Driver's-side air bag | Std | Std | Std | Std | Std |
| Belt tensioner system for passenger seat occupant | Std | Std | Std | Std | Std |
| Padded knee bolsters for front seat occupants | Std | Std | Std | Std | Std |
| 3-point safety belts at all outboard seating position | Std | Std | Std | Std | Std |
| Rear center lap belt | Std | Std | Std | Std | Std |
| Manually activated "childproof" rear door locks | Std | Std | Std | Std | Std |
| Lock-out switch for rear door power window switches | Std | Std | Std | Std | Std |
| Saab Anti-lock Braking System (ABS) | Std | Std | Std | Std | Std |

MODEL YEAR 1991 - Continued

| Equipment | 9000 5 Door Hatchback | 9000S 5 Door Hatchback | 9000 Turbo 5 Door Hatchback | 9000CD 4 Door | 9000 CD Turbo 4 Door |
|--|-----------------------------|------------------------------|-----------------------------------|------------------|----------------------------|
| EXTERIOR | | | | | |
| Electric tilt/slide steel sunroof | | Std | Std | | |
| Electric tilt/slide tinted-glass sunroof with interior sunshade | | | | Std | Std |
| Headlight wiper and washer system | Std | Std | Std | Std | Std |
| Front fog lights | | Std | Std | Std | Std |
| Front spoiler | Std | Std | Std | Std | Std |
| Rear spoiler | | | Std | | |
| Rear decor panel | | | | | Std |
| COMFORT AND CONVENIENCE | | | | | |
| Automatic Climate Control with manual overrides | | | Std | | Std |
| Air-conditioning | Std | Std | Std | Std | Std |
| Electrically heated, reclining front bucket seats | Std | Std | Std | Std | Std |
| Power, 8-way adjustable driver's seat with memory | | Std | Std | Std | Std |
| Power adjustable front passenger seat with memory | | | Std | Std | Std |
| Central locking system with integral anti-theft alarm | Std | Std | Std | Std | Std |
| Power windows with "One touch" opening for front windows | Std | Std | Std | Std | Std |
| Electronic speed control with "Cruise On" indicator light | | Std | Std | Std | Std |
| Electrically adjustable and heated sideview mirrors | Std | Std | Std | Std | Std |
| Fold-down rear center armrest | Std | Std | Std | Std | Std |
| Remote trunk release button on driver's door | | | | Std | Std |
| Interior courtesy light delay feature | Std | Std | Std | Std | Std |
| Electric rear window demister | Std | Std | Std | Std | Std |
| Rear side window demisters | | | Std | | Std |
| Velour seating surfaces | Std | | | | |
| Leather seating surfaces | | Std | Std | Std | Std |
| Walnut instrument panel | | | | | Std |

MODEL YEAR 1991 - Continued

| Equipment | 9000 5 Door Hatchback | 9000S 5 Door Hatchback | 9000 Turbo 5 Door Hatchback | 9000CD 4 Door | 9000 CD Turbo 4 Door |
|---|--------------------------------------|---------------------------------------|--|--------------------------|-------------------------------------|
| AUDIO SYSTEM | | | | | |
| Removable Saab/Clarion AM/FM stereo/cassette | Std | Std | Std | Std | Std |
| Anti-theft lock-out code and warning light | Std | Std | Std | Std | Std |
| 80-watt amplifier | Std | Std | Std | Std | Std |
| Eight speakers | Std | Std | Std | Std | Std |
| Removable Saab/Clarion 7-band graphic equalizer/spectrum analyzer | | | Std | | |
| Removable Saab/clarion compact disc player | | | | | Std |
| INSTRUMENTATION | | | | | |
| Electronic display unit | Std | Std | Std | Std | Std |

MODEL YEAR 1992

| Equipment | 9000 CD Turbo 4 Door | 9000CD 4 Door | 9000 Turbo 5 Door Hatchback | 9000S 5 Door Hatchback | 9000 5 Door Hatchback |
|---|-------------------------------------|--------------------------|--|---------------------------------------|--------------------------------------|
| ENGINES | | | | | |
| 2.3 Liter engine | Std | Std | Std | Std | Std |
| PERFORMANCE | | | | | |
| Double overhead camshaft | Std | Std | Std | Std | Std |
| Electronic fuel injection | Std | Std | Std | Std | Std |
| Water-cooled turbocharger | Std | | Std | | |
| Saab direct ignition system (Saab DI) | Std | Std | Std | Std | Std |
| MacPherson strut independent front suspension | Std | Std | Std | Std | Std |
| Automatic self-leveling rear shock absorbers | Std | | | | |
| Front and rear stabilizer bars | Std | Std | Std | Std | Std |
| Light-alloy wheels | Std | Std | Std | Std | |
| 5-speed/overdrive manual transmission | Opt | Opt | Std | Std | Std |

MODEL YEAR 1992 - Continued

| Equipment | 9000 CD Turbo 4 Door | 9000CD 4 Door | 9000 Turbo 5 Door Hatchback | 9000S 5 Door Hatchback | 9000 5 Door Hatchback |
|---|----------------------------|------------------|-----------------------------------|------------------------------|-----------------------------|
| PERFORMANCE | | | | | |
| 4-speed/overdrive automatic transmission with split torque and direct drive | Std | Std | Opt | Opt | Opt |
| SAFETY | | | | | |
| Saab Supplemental Restraint System (SRS) | Std | Std | Std | Std | Std |
| Driver's-side air bag | Std | Std | Std | Std | Std |
| Belt tensioner system for driver and passenger seat occupants | Std | Std | Std | Std | Std |
| Padded knee bolsters for front seat occupants | Std | Std | Std | Std | Std |
| 3-point safety belts at all outboard seating position | Std | Std | Std | Std | Std |
| Rear center lap belt | Std | Std | Std | Std | Std |
| Manually activated "childproof" rear door locks | Std | Std | Std | Std | Std |
| Lock-out switch for rear door power window switches | Std | Std | Std | Std | Std |
| Saab Anti-lock Braking System (ABS) | Std | Std | Std | Std | Std |
| Saab Traction Control System (TCS) | Std | | Std | | |
| Pre-wired for daytime running lights | Std | Std | Std | Std | Std |
| EXTERIOR | | | | | |
| Electric tilt/slide steel sunroof | | | Std | Std | Std |
| Electric tilt/slide tinted-glass sunroof with interior sunshade | Std | Std | | | |
| Front fog lights | Std | Std | Std | Std | |
| Front spoiler | Std | Std | Std | Std | Std |
| Rear spoiler | | | Std | | |
| Rear decor panel | Std | | | | |
| COMFORT AND CONVENIENCE | | | | | |
| Automatic Climate Control with manual overrides | Std | | Std | | |
| Air-conditioning | Std | Std | Std | Std | Std |

00-18

9000

SAAB genuine parts

MODEL YEAR 1992 - Continued

| Equipment | 9000 CD Turbo 4 Door | 9000CD 4 Door | 9000 Turbo 5 Door Hatchback | 9000S 5 Door Hatchback | 9000 5 Door Hatchback |
|---|----------------------------|------------------|-----------------------------------|------------------------------|-----------------------------|
| COMFORT AND CONVENIENCE | | | | | |
| Rear air conditioning | Std | | | | |
| Power, 8-way adjustable driver's seat with memory | Std | Std | Std | Std | |
| Power adjustable front passenger seat with memory | Std | Std | Std | | |
| Central locking system with integral anti-theft alarm | Std | Std | Std | Std | Std |
| Electronic speed control with "Cruise On" indicator light | | Std | Std | Std | Std |
| Electrically adjustable and heated sideview mirrors | Std | Std | Std | Std | Std |
| Electric rear window demister | Std | Std | Std | Std | Std |
| Fold-down rear center armrest | Std | Std | Std | Std | Std |
| Remote trunk release button on driver's door | Std | Std | | | |
| Interior courtesy light delay feature | Std | Std | Std | Std | Std |
| Electric rear window demister | Std | Std | Std | Std | Std |
| Rear side window demisters | Std | | Std | | |
| Velour seating surfaces | | | | | Std |
| Leather seating surfaces | Std | Std | Std | Std | |
| Leather-wrapped steering wheel | Std | | Std | | |
| Walnut instrument panel | Std | | | | |
| AUDIO SYSTEM | | | | | |
| Removable Saab/Clarion AM/FM stereo/cassette | Std | Std | Std | Std | Std |
| Anti-theft lock-out code and warning light | Std | Std | Std | Std | Std |
| Eight speakers | Std | Std | Std | Std | Std |
| Removable Saab/Clarion compact disc player/7-band graphic equalizer/spectrum analyzer with CD changer controls | Std | | Std | | |
| Pre-wired for CD changer | Std | Std | Std | Std | |
| INSTRUMENTATION | | | | | |
| Electronic display unit | Std | Std | Std | Std | Std |

| MODEL YEAR 1993 | | | | |
|--|----------------------------|--------------------------|--|--|
| Equipment | 9000 CDE 4 Door | 9000CD 4 Door | 9000 CSE 5 Door Hatchback | 9000CS 5 Door Hatchback |
| ENGINES | | | | |
| 2.3 Liter engine (Turbo Optional) | Std | Std | Std | Std |
| PERFORMANCE | | | | |
| Double overhead camshaft | Std | Std | Std | Std |
| Electronic fuel injection | Std | Std | Std | Std |
| Saab direct ignition system (Saab DI) | Std | Std | Std | Std |
| MacPherson strut independent front suspension | Std | Std | Std | Std |
| Automatic self-leveling rear shock absorbers | Std | | | |
| Front and rear stabilizer bars | Std | Std | Std | Std |
| Light-alloy wheels | Std | Std | Std | Std |
| Four-wheel, power-assisted disc brakes with ABS | Std | Std | Std | Std |
| 5-speed/overdrive manual transmission | Std | Std | Std | Std |
| 4-speed/overdrive automatic transmission with split torque and direct drive | Opt | Opt | Opt | Opt |
| SAFETY | | | | |
| Saab Supplemental Restraint System (SRS) | Std | Std | Std | Std |
| Driver's-side air bag | Std | Std | Std | Std |
| Belt tensioner system for driver and passenger seat occupants | Std | Std | Std | Std |
| Padded knee bolsters for front seat occupants | Std | Std | Std | Std |
| 3-point safety belts at all outboard seating position | Std | Std | Std | Std |
| Rear center lap belt | Std | Std | Std | Std |
| Manually activated "childproof" rear door locks | Std | Std | Std | Std |
| Lock-out switch for rear door power window switches | Std | Std | Std | Std |
| Saab Anti-lock Braking System (ABS) | Std | Std | Std | Std |
| Saab Traction Control System (TCS) | Opt | Opt | Opt | Opt |
| Pre-wired for daytime running lights | Std | Std | Std | Std |
| EXTERIOR | | | | |
| Electric tilt/slide tinted-glass sunroof with interior sunshade | Std | Opt | Std | Opt |

MODEL YEAR 1993 - Continued

| Equipment | 9000 CDE 4 Door | 9000CD 4 Door | 9000 CSE 5 Door Hatchback | 9000CS 5 Door Hatchback |
|---|--------------------|------------------|---------------------------------|-------------------------------|
| EXTERIOR | | | | |
| Front fog lights | Std | Opt | Std | Opt |
| Front spoiler | Std | Std | Std | Std |
| Rear spoiler | | | Opt | Opt |
| Rear decor panel | Std | | | |
| COMFORT AND CONVENIENCE | | | | |
| Automatic Climate Control with manual overrides | Std | Std | Std | Std |
| Air-conditioning | Std | Std | Std | Std |
| Electrically heated, reclining front bucket seats | Std | Std | Std | Std |
| Power, 8-way adjustable driver's seat with memory | Std | Opt | Std | Opt |
| Power 8-way adjustable front passenger seat | Std | Opt | Std | Opt |
| Central locking system with integral anti-theft alarm | Std | Std | Std | Std |
| Electronic speed control with "Cruise On" indicator light | Std | Std | Std | Std |
| Power windows with "one-touch" opening for front windows | Std | Std | Std | Std |
| Electric rear window demister | Std | Std | Std | Std |
| Rear side window demister | Std | Std | Std | Std |
| Wool upholstery | Opt | Opt | Opt | Opt |
| Leather seating surfaces | Std | Opt | Std | Opt |
| Leather-wrapped steering wheel | Std | Opt | Std | Opt |
| Walnut instrument panel | Std | | | |
| Velour upholstery | | Std | | Std |
| Fold-down rear center armrest | Std | Std | Std | Std |
| Remote trunk/hatch release button on driver's door | Std | Std | Std | Std |
| AUDIO SYSTEM | | | | |
| Removable Saab/Clarion AM/FM stereo/cassette | Std | Std | Std | Std |
| Anti-theft lock-out code and warning light | Std | Std | Std | Std |
| 150-watt amplifier | Std | Std | Std | Std |
| Eight speakers | Std | Std | Std | Std |

MODEL YEAR 1993 - Continued

| Equipment | 9000 CDE 4 Door | 9000CD 4 Door | 9000 CSE 5 Door Hatchback | 9000CS 5 Door Hatchback |
|--|--------------------------|-------------------|---------------------------------|-------------------------------|
| AUDIO SYSTEM Removable Saab/Clarion compact disc player/ 7-band graphic equalizer/spectrum analyzer with CD changer controls Pre-wired for CD changer | Std Std | | Std Std | |
| INSTRUMENTATION Analog speedometer with odometer and trip meter Quartz analog clock Electronic display unit Trip computer | Std Std Std Std | Std Std Std | Std Std Std Std | Std Std Std |

MODEL YEAR 1994

| Equipment | 9000 CDE | 9000 Aero | 9000 CSE | 9000CS |
|--|--|---|---|--|
| ENGINES 2.3 Liter turbocharged, 225HP 2.3 Liter turbocharged, 200 HP 2.3 Liter naturally aspirated, 146HP * = Manual transmission only. | Std | Std* Opt | Opt Std | Opt Std |
| PERFORMANCE Double overhead camshaft 16-valve, light-alloy cylinder head Saab Trionic engine management system: Knock detection Saab direct ignition system (Saab DI) MacPherson strut independent front suspension Front and rear stabilizer bars Light-alloy wheels Four-wheel, power-assisted disc brakes with ABS Saab Traction Control System (TCS) | Std Std Std Std Std Std Std Std | Std Std Std Std Std Std Std | Std Std Std Std Std Std Std | Std Std Std Std Std Std |

MODEL YEAR 1994 - Continued

| Equipment | 9000 CDE | 9000 Aero | 9000 CSE | 9000CS |
|--|----------|-----------|----------|--------|
| PERFORMANCE | | | | |
| 5-speed/overdrive manual transmission | Opt | Std | Std | Std |
| 4-speed/overdrive automatic transmission with split torque and direct drive | Std | Opt | Opt | Opt |
| SAFETY | | | | |
| Saab Supplemental Restraint System (SRS) | Std | Std | Std | Std |
| Driver's-side air bag | Std | Std | Std | Std |
| Passenger's-side air bag | Std | Std | Std | Std |
| Belt tensioner system for driver and passenger seat occupants | Std | Std | Std | Std |
| Padded knee bolsters for front seat occupants | Std | Std | Std | Std |
| 3-point safety belts at all outboard seating position | Std | Std | Std | Std |
| Rear center lap belt | Std | Std | Std | Std |
| Manually activated "childproof" rear door locks | Std | Std | Std | Std |
| Lock-out switch for rear door power window switches | Std | Std | Std | Std |
| Saab Anti-lock Braking System (ABS) | Std | Std | Std | Std |
| Pre-wired for daytime running lights | Std | Std | Std | Std |
| EXTERIOR | | | | |
| Electric tilt/slide tinted-glass sunroof with interior sunshade | Std | Std | Std | Std |
| Front fog lights | Std | Std | Std | Std |
| Rear fog lights | | Std | Std | Std |
| Front spoiler | Std | Std | Std | Std |
| Rear spoiler | | Std | Opt | Opt |
| Rear decor panel | Std | | | |
| Heat reflective glass | Std | Std | Std | Std |
| COMFORT AND CONVENIENCE | | | | |
| Automatic Climate Control with manual overrides | Std | Std | Std | Std |
| Air-conditioning (CFC free) | Std | Std | Std | Std |
| Electrically heated, reclining front bucket seats | Std | Std | Std | Std |
| Temperature controls for both seat heaters | Std | Std | Std | Std |

MODEL YEAR 1994 - Continued

| Equipment | 9000 CDE | 9000 Aero | 9000 CSE | 9000CS |
|--|----------|-----------|----------|--------|
| COMFORT AND CONVENIENCE | | | | |
| Power, 8-way adjustable driver's seat with memory | Std | Std | Std | |
| Power 8-way adjustable front passenger seat | Std | Std | Std | |
| Central locking system with integral anti-theft alarm | Std | Std | Std | Std |
| Electronic speed control with "Cruise On" indicator light | Std | Std | Std | Std |
| Electrically adjustable and heated sideview mirrors | Std | Std | Std | Std |
| Electric rear window demister | Std | Std | Std | Std |
| Rear side window demister | Std | Std | Std | Std |
| Three-position fold-down backseat | | Std | Std | Std |
| Leather seating surfaces | Std | Std | Std | |
| Leather-wrapped steering wheel and shift boot cover* | Std | Std | Std | |
| Walnut instrument panel | Std | | | |
| Velour seating surfaces | | | | Std |
| Fold-down rear center armrest | Std | Std | Std | Std |
| Remote trunk/hatch release button in driver's door | Std | Std | Std | Std |
| AUDIO SYSTEM | | | | |
| Removable Saab/Clarion AM/FM stereo/cassette | Std | Std | Std | Std |
| Anti-theft lock-out code and warning light | Std | Std | Std | Std |
| 150-watt amplifier | Std | Std | Std | Std |
| Eight speakers | Std | Std | Std | Std |
| Removable Saab/Clarion compact disc player/7-band graphic equalizer/spectrum analyzer with CD changer controls | Std | Std | Std | |
| Pre-wired for CD changer | Std | Std | Std | |
| INSTRUMENTATION | | | | |
| Analog speedometer with odometer and trip meter | Std | Std | Std | Std |
| Analog tachometer | Std | Std | Std | Std |
| Fuel and temperature gauges | Std | Std | Std | Std |
| Turbo boost pressure gauge | Std | Std | Opt | Opt |
| Saab car computer (includes digital clock) | Std | Std | Std | |
| Quartz analog clock | | | | Std |
| Electronic display unit | Std | Std | Std | Std |

| MODEL YEAR 1995 | | | | |
|---|----------------|------------------|----------------|---------------|
| Equipment | 9000CDE | 9000 Aero | 9000CSE | 9000CS |
| ENGINES | | | | |
| 3.0 Liter V6, 210HP | Std | | Opt | |
| 2.3 Liter turbocharged, 225HP | | Std* | | |
| 2.3 Liter turbocharged, 200 HP | | Opt | Std | |
| 2.3 Liter light pressure turbocharged, 170HP | | | | Std |
| * = Manual transmission only. | | | | |
| PERFORMANCE | | | | |
| Double overhead camshaft | Std | Std | Std | Std |
| Light-alloy cylinder head with 4 valves per cylinder | Std | Std | Std | Std |
| Water-cooled turbocharger/Air-to-air charge-air intercooler/engine oil cooler | | Std | Std | Std |
| Saab Trionic engine management system including Saab direct ignition system (Saab DI), electronic fuel injection, knock detection and charge-pressure control | | Std | Std | Std |
| Motronic electronic fuel injection and ignition | Std | | Opt | |
| Saab Traction Control System (TCS) | Std | Opt* | Opt | |
| Independent front suspension with MacPherson strut | Std | Std | Std | Std |
| Front and rear stabilizer bars | Std | Std | Std | Std |
| Light-alloy wheels | Std | Std | Std | Std |
| Four-wheel, power-assisted disc brakes with ABS, ventilated front discs | Std | Std | Std | Std |
| Power-assisted rack-and-pinion steering | Std | Std | Std | Std |
| Gas-hydraulic shock absorbers | Std | Std | Std | Std |
| 5-speed/overdrive manual transmission | Opt | Std | Std | Std |
| 4-speed/overdrive automatic transmission with split torque and direct drive | Std | Opt | Opt | Opt |
| SAFETY | | | | |
| Saab Supplemental Restraint System (SRS) including driver's-side air bag, passenger's-side air bag, automatic belt tensioner system for front seat occupants, padded knee bolsters for front seat occupants | Std | Std | Std | Std |
| 3-point safety belts at all outboard seating position, rear center lap belt | Std | Std | Std | Std |

MODEL YEAR 1995 - Continued

| Equipment | 9000CDE | 9000 Aero | 9000CSE | 9000CS |
|--|---------|-----------|---------|--------|
| SAFETY | | | | |
| Manually activated "childproof" rear door locks/ Lock-out switch for rear door power window switches | Std | Std | Std | Std |
| EXTERIOR | | | | |
| Electric tilt/slide tinted-glass sunroof with interior sunshade | Std | Std | Std | Opt |
| Front fog lights and rear fog light | Std | Std | Std | Std |
| Front spoiler | Std | Std | Std | Std |
| Rear spoiler | | Std | Std | |
| COMFORT AND CONVENIENCE | | | | |
| Automatic Climate Control with manual overrides (CFC free) with interior air filtration system | Std | Std | Std | Std |
| Electrically heated, reclining front bucket seats with temperature controls for both seat heaters | Std | Std | Std | Std |
| Power, 8-way adjustable driver's seat with memory | Std | Std | Std | |
| Remote central locking with anti-theft alarm | Std | Std | Std | Std |
| Electronic speed control with "Cruise On" indicator light | Std | Std | Std | Std |
| Electrically adjustable and heated sideview mirrors | Std | Std | Std | Std |
| Rear side window demister and electric rear window demister | Std | Std | Std | Std |
| Illuminated vanity mirrors in sun visors | Std | Std | Std | Std |
| Three-position fold-down backseat | | Std | Std | Std |
| Fold-down rear center armrest | Std | Std | Std | Std |
| Leather seating surfaces | Std | | Std | Opt |
| Full-leather sport seats | | Std | | |
| Leather-wrapped steering wheel and shift boot cover* | Std | Std | Std | |
| Walnut instrument panel | Std | Std | Std | |
| Velour seating surfaces | | | | Std |
| Remote trunk/hatch release button in driver's door | Std | Std | Std | Std |

MODEL YEAR 1995 - Continued

| Equipment | 9000CDE | 9000 Aero | 9000CSE | 9000CS |
|---|---------|-----------|---------|--------|
| AUDIO SYSTEM | | | | |
| AM/FM stereo/cassette, "Premium", with removable keypad controls | | | | Std |
| AM/FM stereo/cassette, "Prestige", with removable keypad controls | Std | Std | Std | |
| Anti-theft lock-out code and warning light | Std | Std | Std | Std |
| 150-watt amplifier | Std | Std | Std | Std |
| Eight speakers | | | | Std |
| Ten speakers | Std | Std | Std | |
| Compact Disc player (all 9000s pre-wired for CD changer) | Std | Std | Std | |
| INSTRUMENTATION | | | | |
| Analog speedometer with odometer and trip meter | Std | Std | Std | Std |
| Analog tachometer, fuel and temperature gauges | Std | Std | Std | Std |
| Turbo boost pressure gauge | | Std | Std | |
| Saab car computer (includes digital clock) | Std | Std | Std | |
| Quartz analog clock | | | | Std |
| Electronic display unit | Std | Std | Std | Std |

MODEL YEAR 1996

| Equipment | 9000 Aero | 9000CSE | 9000CS |
|---|-----------|---------|--------|
| ENGINES | | | |
| 3.0 Liter V6, 210HP (Automatic Transmission only) | | Opt | |
| 2.3 Liter turbocharged, 225HP | Std* | | |
| 2.3 Liter turbocharged, 200 HP | Opt | Std | |
| 2.3 Liter light pressure turbocharged, 170HP | | | Std |
| * = Manual transmission only. | | | |
| PERFORMANCE | | | |
| Double overhead camshaft | Std | Std | Std |
| Light-alloy cylinder head with 4 valves per cylinder | Std | Std | Std |
| Water-cooled turbocharger/Air-to-air charge-air intercooler/engine oil cooler | Std | Std | Std |

MODEL YEAR 1996 - Continued

| Equipment | 9000 Aero | 9000CSE | 9000CS |
|---|-----------|---------|--------|
| PERFORMANCE | | | |
| Saab Trionic engine management system including Saab direct ignition system (Saab DI), electronic fuel injection, knock detection and charge-pressure control | Std | Std | Std |
| Saab Traction Control System (TCS) | | Opt | |
| Independent front suspension with MacPherson strut | Std | Std | Std |
| Front and rear stabilizer bars | Std | Std | Std |
| Light-alloy wheels | Std | Std | Std |
| Power-assisted rack-and-pinion steering | Std | Std | Std |
| Gas-hydraulic shock absorbers | Std | Std | Std |
| 5-speed/overdrive manual transmission | Std | Std | Std |
| 4-speed/overdrive automatic transmission with split torque and direct drive | Opt | Opt | Opt |
| SAFETY | | | |
| Saab Supplemental Restraint System (SRS) including driver's-side air bag, passenger's-side air bag, automatic belt tensioner system for front seat occupants, padded knee bolsters for front seat occupants | Std | Std | Std |
| 3-point safety belts at all outboard seating position, rear center lap belt | Std | Std | Std |
| Manually activated "childproof" rear door locks/ Lock-out switch for rear door power window switches | Std | Std | Std |
| Saab Anti-lock Braking System (ABS)/Mechanically activated rear-wheel hand brake | Std | Std | Std |
| Headlamp wipers and washer system/daytime running lights | Std | Std | Std |
| Rear window wiper and washer system | Std | Std | Std |
| EXTERIOR | | | |
| Electric tilt/slide tinted-glass sunroof with interior sunshade | Std | Std | Opt |
| Front fog lights and rear fog light | Std | Std | Std |
| Front spoiler | Std | Std | Std |
| Rear spoiler (Turbocharged models) | Std | Std | |

MODEL YEAR 1996 - Continued

| Equipment | 9000 Aero | 9000CSE | 9000CS |
|---|-----------|---------|--------|
| COMFORT AND CONVENIENCE | | | |
| Automatic Climate Control with manual overrides (CFC free) with interior air filtration system | Std | Std | Std |
| Electrically heated, reclining front bucket seats with temperature controls for both seat heaters | Std | Std | Std |
| Power, 8-way adjustable driver's seat with memory | Std | Std | Opt |
| Remote central locking with anti-theft alarm | Std | Std | Std |
| Electronic speed control with "Cruise On" indicator light | Std | Std | Std |
| Electrically adjustable and heated sideview mirrors | Std | Std | Std |
| Rear side window demister and electric rear window demister | Std | Std | Std |
| Illuminated vanity mirrors in sun visors | Std | Std | Std |
| Interior courtesy light delay feature | Std | Std | Std |
| Telescopic steering wheel | Std | Std | Std |
| Three-position fold-down backseat | Std | Std | Std |
| Fold-down rear center armrest with integrated cupholders | Std | Std | Std |
| Leather seating surfaces | | Std | Opt |
| Full-leather sport seats | Std | | |
| Leather-wrapped steering wheel and shift boot cover* | Std | Std | |
| Walnut instrument panel | Std | Std | |
| Velour seating surfaces | | | Std |
| Remote trunk/hatch release button in driver's door | Std | Std | Std |
| Luggage compartment light and built-in/removable tool kit | Std | Std | Std |
| Tinted/heat-absorbent glass all around | Std | Std | Std |
| AUDIO SYSTEM | | | |
| AM/FM stereo/cassette, "Premium", with removable keypad controls | | | Std |
| AM/FM stereo/cassette, "Prestige", with removable keypad controls | Std | Std | |
| Anti-theft lock-out code and warning light | Std | Std | Std |
| 150-watt amplifier | Std | Std | Std |
| Eight speakers | | | Std |
| Ten speakers | Std | Std | |
| Compact Disc player (all 9000s pre-wired for CD changer) | Std | Std | |

MODEL YEAR 1996 - Continued

| Equipment | 9000 Aero | 9000CSE | 9000CS |
|---|-----------|---------|--------|
| INSTRUMENTATION | | | |
| Analog speedometer with odometer and trip meter | Std | Std | Std |
| Analog tachometer, fuel and temperature gauges | Std | Std | Std |
| Turbo boost pressure gauge | Std | Std | |
| Saab car computer (includes digital clock) | Std | Std | |
| Quartz analog clock | | | Std |
| Electronic display unit | Std | Std | Std |

MODEL YEAR 1997

| Equipment | 9000CS | 9000CSE | 9000 Aero |
|---|--------|---------|-----------|
| ENGINES | | | |
| 2.3 Liter light pressure turbocharged, 170HP | Std | | |
| 2.3 Liter turbocharged, 200 HP | | Std | Opt |
| 2.3 Liter turbocharged, 225HP (Manual Transmission only) | | | Std |
| 3.0 Liter V6, 210HP (Automatic Transmission only) | | Opt | |
| PERFORMANCE | | | |
| Double overhead camshaft | Std | Std | Std |
| Light-alloy cylinder head with 4 valves per cylinder | Std | Std | Std |
| Water-cooled turbocharger/Air-to-air charge-air intercooler/engine oil cooler | Std | Std | Std |
| Saab Trionic engine management system including Saab direct ignition system (Saab DI), electronic fuel injection, knock detection and charge-pressure control (except on LPT) | Std | Std | Std |
| Saab Traction Control System (TCS) | | Opt | |
| Independent front suspension with MacPherson strut | Std | Std | Std |
| Front and rear stabilizer bars | Std | Std | Std |
| Light-alloy wheels | Std | Std | Std |
| Power-assisted rack-an-pinion steering | Std | Std | Std |
| Gas-hydraulic shock absorbers | Std | Std | Std |
| 5-speed/overdrive manual transmission | Std | Std | Std |
| 4-speed/overdrive automatic transmission with split torque and direct drive | Opt | Opt | Opt |

MODEL YEAR 1997 - Continued

| Equipment | 9000CS | 9000CSE | 9000 Aero |
|---|--------|---------|-----------|
| SAFETY | | | |
| Saab Supplemental Restraint System (SRS) including driver's-side air bag, passenger's-side air bag, automatic belt tensioner system for front seat occupants, padded knee bolsters for front seat occupants | Std | Std | Std |
| 3-point safety belts at all outboard seating position, rear center lap belt | Std | Std | Std |
| Manually activated "childproof" rear door locks/ Lock-out switch for rear door power window switches | Std | Std | Std |
| Saab Anti-lock Braking System (ABS)/Mechanically activated rear-wheel hand brake | Std | Std | Std |
| Headlamp wipers and washer system/daytime running lights | Std | Std | Std |
| Rear window wiper and washer system | Std | Std | Std |
| EXTERIOR | | | |
| Electric tilt/slide tinted-glass sunroof with interior sunshade | Opt | Std | Std |
| Front fog lights and rear fog light | Std | Std | Std |
| Front spoiler | Std | Std | Std |
| Rear spoiler (Turbocharged models) | | Std | Std |
| COMFORT AND CONVENIENCE | | | |
| Automatic Climate Control with manual overrides (CFC free) with interior air filtration system | Std | Std | Std |
| Electrically heated, reclining front bucket seats with temperature controls for both seat heaters | Std | Std | Std |
| Power, 8-way adjustable front seats, driver's seat with memory (memory only on CSE and Aero) | Opt | Std | Std |
| Remote central locking with anti-theft alarm | Std | Std | Std |
| Electronic speed control with "Cruise On" indicator light | Std | Std | Std |
| Electrically adjustable and heated sideview mirrors | Std | Std | Std |
| Rear side window demister and electric rear window demister | Std | Std | Std |
| Illuminated vanity mirrors in sun visors | Std | Std | Std |
| Interior courtesy light delay feature | Std | Std | Std |
| Telescopic steering wheel | Std | Std | Std |

MODEL YEAR 1997 - Continued

| Equipment | 9000CS | 9000CSE | 9000 Aero |
|---|--------|---------|-----------|
| COMFORT AND CONVENIENCE | | | |
| Three-position fold-down backseat | Std | Std | Std |
| Fold-down rear center armrest | Std | Std | Std |
| Leather seating surfaces with leather-wrapped steering wheel/ leather shift boot and knob (Manual Transmission only) | Opt | Std | Std |
| Full-leather sport seats | | | Std |
| Leather seating surfaces | | Std | |
| Walnut instrument panel | | Std | Std |
| Velour seating surfaces | Std | | |
| Remote trunk/hatch release button in driver's door | Std | Std | Std |
| Tinted/heat-absorbent glass all around | Std | Std | Std |
| AUDIO SYSTEM | | | |
| AM/FM stereo/cassette, "Premium", with removable keypad controls | Std | | |
| Harman/kardon AM/FM stereo/cassette with removable keypad controls | | Std | Std |
| Anti-theft lock-out code and warning light | Std | Std | Std |
| 150-watt amplifier | Std | Std | Std |
| Eight speakers | Std | | |
| Ten speakers | | Std | Std |
| Compact Disc player (all 9000s pre-wired for CD changer) | | Std | Std |
| INSTRUMENTATION | | | |
| Analog speedometer with odometer and trip meter | Std | Std | Std |
| Analog tachometer, fuel and temperature gauges | Std | Std | Std |
| Turbo boost pressure gauge | | Std | Std |
| Saab car computer (includes digital clock) | | Std | Std |
| Quartz analog clock | | | Std |
| Electronic display unit shows: voltage, outside temp., avg./inst. fuel econ., miles-to-empty, message prompts to check coolant and oil levels | Std | Std | Std |
| Indicator lamps for rear demister, handbrake and high beam | Std | Std | Std |

MODEL YEAR 1998

| Equipment | 9000 CS Automatic | 9000 CSE Manual |
|---|-------------------|-----------------|
| ENGINES | | |
| 2.3 Liter turbocharged, 225 HP | | Std |
| 2.3 Liter turbocharged, 200 HP | Std | |
| PERFORMANCE | | |
| Double overhead camshaft | Std | Std |
| Light-alloy cylinder head with 4 valves per cylinder | Std | Std |
| Water-cooled turbocharger/Air-to-air charge-air intercooler/engine oil cooler | Std | Std |
| Saab Trionic engine management system including Saab direct ignition system (Saab DI), electronic fuel injection, knock detection and charge-pressure control | Std | Std |
| Independent front suspension with MacPherson strut | Std | Std |
| Front and rear stabilizer bars | Std | Std |
| Light-alloy wheels | Std | Std |
| Power-assisted rack-and-pinion steering | Std | Std |
| Gas-hydraulic shock absorbers | Std | Std |
| 5-speed/overdrive manual transmission | | Std |
| 4-speed/overdrive automatic transmission with split torque and direct drive | Std | |
| SAFETY | | |
| Saab Supplemental Restraint System (SRS) including driver's-side air bag, passenger's-side air bag, automatic belt tensioner system for front seat occupants, padded knee bolsters for front seat occupants | Std | Std |
| 3-point safety belts at all outboard seating position, rear center lap belt | Std | Std |
| Manually activated "childproof" rear door locks/Lock-out switch for rear door power window switches | Std | Std |
| Saab Anti-lock Braking System (ABS)/Mechanically activated rear-wheel hand brake | Std | Std |
| Headlamp wipers and washer system/daytime running lights | Std | Std |
| Rear window wiper and washer system | Std | Std |
| EXTERIOR | | |
| Electric tilt/slide tinted-glass sunroof with interior sunshade | Std | Std |
| Front fog lights and rear fog light | Std | Std |
| Front spoiler | Std | Std |
| Rear spoiler | Std | Std |

MODEL YEAR 1998 - Continued

| Equipment | 9000 CS Automatic | 9000 CSE Manual |
|---|----------------------|--------------------|
| COMFORT AND CONVENIENCE | | |
| Automatic Climate Control with manual overrides (CFC free) with interior air filtration system | Std | Std |
| Electrically heated, reclining front bucket seats with temperature controls for both seat heaters | Std | Std |
| Power, 8-way adjustable front seats, driver's seat with memory | Std | Std |
| Remote central locking with anti-theft alarm | Std | Std |
| Electronic speed control with "Cruise On" indicator light | Std | Std |
| Electrically adjustable and heated sideview mirrors | Std | Std |
| Rear side window demister and electric rear window demister | Std | Std |
| Illuminated vanity mirrors in sun visors | Std | Std |
| Interior courtesy light delay feature | Std | Std |
| Telescopic steering wheel | Std | Std |
| Three-position fold-down backseat | Std | Std |
| Fold-down rear center armrest with integrated cupholders | Std | Std |
| Leather seating surfaces | Std | Std |
| Leather-wrapped steering wheel | Std | Std |
| Leather shift knob and boot (Manual only) | | Std |
| Walnut instrument panel | Std | Std |
| Remote trunk/hatch release button in driver's door | Std | Std |
| Tinted/heat-absorbent glass all around | Std | Std |
| AUDIO SYSTEM | | |
| AM/FM stereo/cassette, "Premium", with removable keypad controls | Std | Std |
| Anti-theft lock-out code and warning light | Std | Std |
| 150-watt amplifier | Std | Std |
| Ten speakers | Std | Std |
| Compact Disc player (all 9000s pre-wired for CD changer) | Std | Std |
| INSTRUMENTATION | | |
| Analog speedometer with odometer and trip meter | Std | Std |
| Analog tachometer, fuel and temperature gauges | Std | Std |
| Turbo boost pressure gauge | Std | Std |
| Saab car computer (includes digital clock) | Std | Std |
| Electronic display unit | Std | Std |
| Indicator lamps for rear demister, handbrake and high beam | Std | Std |

1986 ROUTINE MAINTENANCE PARTS LIST

| Description | Part Number |
|---|-------------|
| Every 3,750 Mile Oil Change - Turbo | |
| Every 15,000 Mile Oil Change/Safety Check | |
| Oil Filter | 91 44 445 |
| Oil Plug Seal | 87 18 439 |
| Every 30,000 Mile Service | |
| Air Cleaner Element, Manual Transmission | 93 81 971 |
| Air Cleaner Element, Automatic Transmission | 93 90 907 |
| Fuel Filter | 41 63 853 |
| Spark Plugs (BCP7EV) | 02 72 336 |
| Ventilation Air Filter | 96 25 674 |
| Antifreeze/Coolant | 02 48 583 |
| Transmission Filter, Automatic Transmission Kit | 75 75 525 |
| Every 60,000 Mile Service (Additional Parts) | |
| Distributor Cap | 75 01 216 |
| Distributor Rotor | 75 64 420 |
| Oxygen Sensor | 93 92 762 |
| Charcoal Canister | 75 32 054 |

1987 ROUTINE MAINTENANCE PARTS LIST

| Every 3,750 Mile Oil Change | |
|--|-------------|
| Every 15,000 Mile Oil Change/Safety Check | |
| Description | Part Number |
| Oil Filter | 91 44 445 |
| Oil Plug Seal | 75 22 709 |

1987 ROUTINE MAINTENANCE PARTS LIST (Continued)

| Description | Part Number |
|--|--------------------|
| Every 30,000 Mile Service | |
| Air Cleaner Element, Turbo Manual Transmission, Fuel Injection | 93 81 971 |
| Air Cleaner Element, Turbo Automatic Transmission | 93 90 907 |
| Fuel Filter | 41 63 853 |
| Spark Plugs, Turbo (BCP7EV) | 02 72 336 |
| Spark Plugs, Fuel Injection (BCP6ES) | 02 87 037 |
| Ventilation Air Filter | 96 25 674 |
| Antifreeze/Coolant | 02 48 583 |
| Transmission Filter, Automatic Transmission Kit | 75 75 525 |
| Every 60,000 Mile Service (Additional Parts) | |
| Distributor Cap | 75 01 216 |
| Distributor Rotor | 75 64 420 |
| Oxygen Sensor, Turbo | 93 92 762 |
| Oxygen Sensor, Fuel Injection | 75 25 603 |
| Charcoal Canister | 75 32 054 |

1988 ROUTINE MAINTENANCE PARTS LIST**Every 3,750 Mile Oil Change****Every 15,000 Mile Oil Change/Safety Check**

| Description | Part Number |
|--------------------|--------------------|
| Oil Filter | 91 44 445 |
| Oil Plug Seal | 75 22 709 |

1988 ROUTINE MAINTENANCE PARTS LIST (Continued)

| Description | Part Number |
|--|--------------------|
| Every 30,000 Mile Service | |
| Air Cleaner Element, Turbo Manual Transmission, Fuel Injection | 93 81 971 |
| Air Cleaner Element, Turbo Automatic Transmission | 93 90 907 |
| Fuel Filter | 41 63 853 |
| Spark Plugs, Turbo (BCP7EV) | 02 72 336 |
| Spark Plugs, Fuel Injection (BCP6ES) | 02 87 037 |
| Ventilation Air Filter | 96 25 674 |
| Antifreeze/Coolant | 02 48 583 |
| Transmission Filter, Automatic Transmission Kit | 75 75 525 |
| Every 60,000 Mile Service (Additional Parts) | |
| Distributor Cap | 75 01 216 |
| Distributor Rotor | 75 64 420 |
| Oxygen Sensor, Turbo | 93 92 762 |
| Oxygen Sensor, Fuel Injection | 75 25 603 |
| Charcoal Canister, Fuel Injection | 75 32 054 |
| Charcoal Canister, Turbo | 75 32 054 |

1989-94 ROUTINE MAINTENANCE PARTS

16 Valve Naturally Aspirated

30,000 & 90,000 Mile Major Services >1991
35,000 & 95,000 Mile Major Services 1992>

| | |
|---------------------------------------|------------|
| Oil Filter | 91 44 445* |
| Drain Plug Gasket B202 1989-90 | 75 22 709* |
| Drain Plug Gasket B234 1991-94 | 91 32 937 |
| Air Cleaner Element | 93 90 907 |
| Ventilation air Filter 1989-91 | 96 25 674 |
| Ventilation Air Filter 1992> | 40 72 393 |
| Spark Plugs | See Chart |
| Antifreeze/Coolant | 02 48 583 |
| Transmission Filter, Auto, Trans. Kit | 75 75 525 |

16V Naturally Aspirated

60,000 & 120,000 Mile Major Services >1991
65,000 & 125,000 Mile Major Services 1992>

| | |
|---------------------------------------|-------------|
| Oil filter | 91 44 445* |
| Drain Plug Gasket B202 1989-90 | 75 22 709* |
| Drain Plug Gasket B234 1991-94 | 91 32 937 |
| Air Cleaner Element | 93 90 907 |
| Ventilation Air Filter 1989-91 | 96 25 674 |
| Ventilation Air Filter 1992> | 40 72 393 |
| Fuel Filter | 41 63 853 |
| Distributor Cap | 75 01 216** |
| Distributor Rotor | 75 64 420** |
| Spark Plugs | See Chart |
| Antifreeze/Coolant | 02 48 583 |
| Transmission Filter, Auto, Trans. Kit | 75 75 525 |
| Drive Belt 1992-1998 | 43 95 455 |
| | or |
| | 49 04 116 |

*These parts also used for Oil Change/Safety Inspection Services on applicable models.

** Non-Direct Ignition Only

16V Turbo

30,000 & 90,000 Mile Major Services >1991
35,000 & 95,000 Mile Major Services 1992>

| | |
|---------------------------------------|------------|
| Oil Filter | 91 44 445* |
| Drain Plug Gasket B202 1989-90 | 75 22 709* |
| Drain Plug Gasket B234 | 87 81 439 |
| Air Cleaner Element | 93 90 907 |
| Ventilation Air Filter 1989-91 | 96 25 674 |
| Ventilation Air Filter 1992> | 40 72 393 |
| Spark Plugs | See Chart |
| Antifreeze/Coolant | 02 48 583 |
| Transmission Filter, Auto, Trans. Kit | 75 75 525 |

16V Turbo

60,000 Mile Major Services >1991
120,000 Mile Major Services 1992>

| | |
|---------------------------------------|-------------|
| Oil Filter | 91 44 445* |
| Drain Plug Gasket B202 1989-0 | 75 22 709* |
| Drain Plug Gasket B234 1991-94 | 91 32 937 |
| Air Cleaner Element | 93 90 907 |
| Ventilation Air Filter 1989-91 | 96 25 674 |
| Ventilation Air Filter 1992> | 40 72 393 |
| Fuel Filter | 41 63 853 |
| Distributor Cap | 75 01 216** |
| Distributor Rotor | 75 64 420** |
| Spark Plugs | See Chart |
| Antifreeze/Coolant | 02 48 583 |
| Transmission Filter, Auto, Trans. Kit | 75 75 525 |
| Drive Belt 1992-1998 | 43 95 455 |
| | or |
| | 49 04 116 |

*These parts also used for Oil Change/Safety Inspection Services on applicable models.

** Non-Direct Ignition Only

1995> ROUTINE MAINTENANCE PARTS**16V****35,000 Mile Major Service**

| | |
|--------------------------------|------------|
| Oil Filter | 91 44 445 |
| Drain Plug Gasket - V6 | 45 02 134* |
| Drain Plug Gasket - 4 Cylinder | 91 23 937* |
| Air Cleaner Element | 93 90 907 |
| Transmission Filter | 75 99 525 |
| Spark Plugs | See Chart |
| Camshaft Drive Belt | 46 21 348 |
| Ventilation Air Filter | 40 72 393 |

* These parts also used for Oil Change/Safety Inspection Services on applicable models.

1995> V-6 ROUTINE MAINTENANCE PARTS**35,000 & 95,000 Mile Major Service****65,000 & 125,000 Mile**

| | | | |
|---------------------------------|-----------|-------------------------|-----------|
| Oil Filter | 45 02 696 | Oil filter | 45 02 696 |
| Drain Plug Gasket | 45 02 134 | Drain Plug Gasket | 45 02 134 |
| Air Cleaner Element | 93 90 907 | Air Cleaner Element | 93 90 907 |
| Transmission Filter Kit | 75 75 525 | Transmission Filter Kit | 75 75 525 |
| Spark Plugs | See Chart | Spark Plugs | See Chart |
| Ventilation Air Filter | 40 72 393 | Fuel Filter | 41 63 853 |
| Anti Freeze / Coolant | 02 48 583 | Camshaft Drive Belt** | |
| Camshaft Drive Belt** 1994-1996 | 46 21 348 | Up to Engine #146659 | 46 21 348 |
| | | Camshaft Drive Belt** | |
| | | From Engine #46660 | 47 70 491 |
| | | Ventilation Air Filter | 40 72 393 |
| | | Anti Freeze / Coolant | 02 48 583 |
| | | Drive Belt | 43 95 463 |

**The camshaft timing belt is to be claimed to SAAB (replacement is free to customer through 100,000miles).

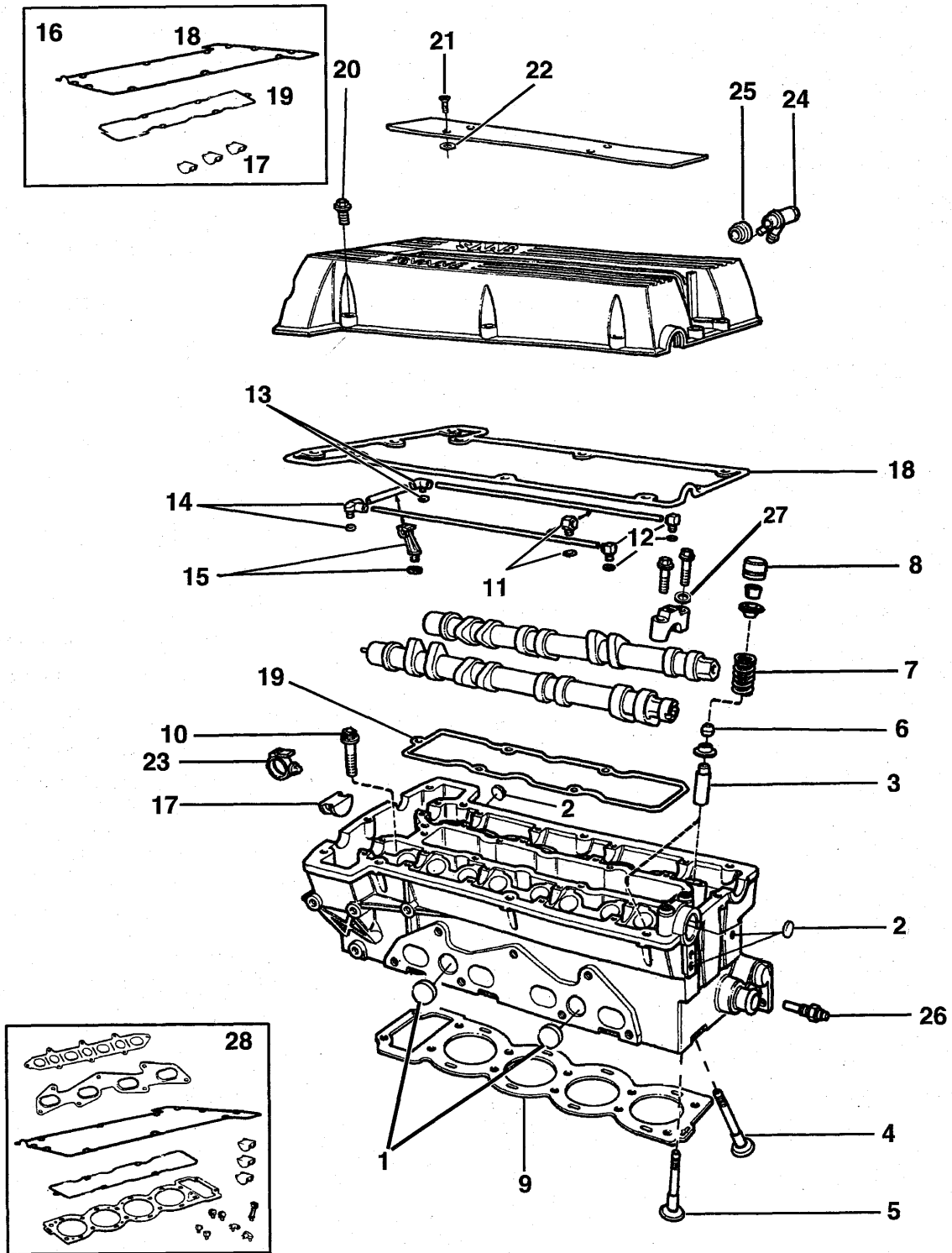
SPARK PLUG APPLICATION CHART

| MODEL | PART NUMBER | TYPE |
|--|-------------|--------------|
| B202 Naturally Aspirated 1988-91 Normal Use | 02 43 691 | NGK BCP5ES |
| B202 Naturally Aspirated 1986-87 Normal Use, B202 Turbo City Driving | 02 87 037 | NGK BCP6ES |
| B234 1994>, B202, Naturally Aspirated Normal Use, B202 Turbo City Driving | 02 72 286 | NGK BCP6EV* |
| B202 Naturally Aspirated Hard Driving B202 Turbo Normal Use | 02 87 029 | NGK BCP7ES |
| B202 Naturally Aspirated Hard Driving B202 Turbo Normal Use | 02 72 336 | NGK BCP7EV* |
| B202 Turbo With DI, B234 Turbo | 02 44 459 | NGK BCPR7ES |
| B234 Naturally Aspirated With DI | 02 44 772 | NGK BCPR6ES |
| B308 Naturally Aspirated V6 | 44 44 741 | Bosch FR8LDC |

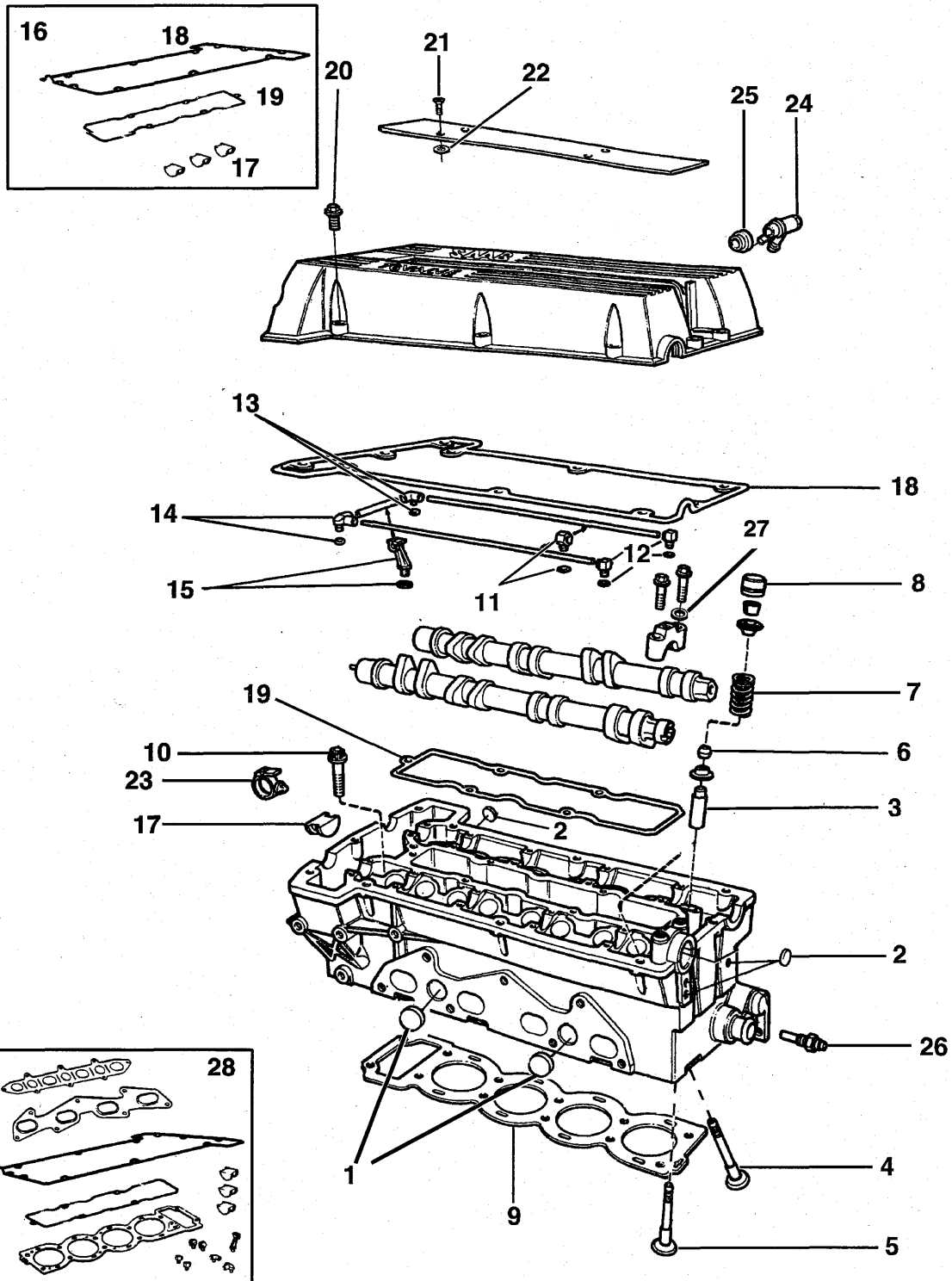
* "V" series spark plugs use precious metal electrode tips which offer extended service life and resistance to cold fouling. Cold fouling may result from frequent short operating periods which do not allow the engine to reach optimum temperatures. "7" series spark plugs have a colder heat range than "6" series and are, therefore, commonly used as an alternative plug on cars consistently run at high speeds or under heavy loads.

| | Page |
|---|--------|
| Cylinder Head B202 | 02-3 |
| Cylinder Head B234 >1993 | 02-7 |
| Cylinder Head 4 Cylinder | 02-9 |
| Cylinder Head 6 Cylinder | 02-11 |
| Engine Block Components B202..... | 02-13 |
| Engine Block Components B234 >1993 | 02-15 |
| Engine Block Components 4 Cylinder 1994>..... | 02-17 |
| Engine Block Components 6 Cylinder..... | 02-19 |
| Timing Chain, Front Cover B202..... | 02-21 |
| Timing Chain, Front Cover B234 >1993..... | 02-23 |
| Timing Chain, Front Cover 4 Cylinder 1994>..... | 02-25 |
| Timing Belt, Front Cover 6 Cylinder | 02-27 |
| Lubrication System B202..... | 02-29 |
| Lubrication System B234 >1993 | 02-31 |
| Lubrication System 4 Cylinder 1994> | 02-33 |
| Lubrication System 6 Cylinder | 02-35 |
| Air Cleaner B202 | 02-37 |
| Air Cleaner 4 Cylinder 1991> | 02-39 |
| Air Cleaner 6 Cylinder | 02-41 |
| Fuel System >1989 | 02-43 |
| Fuel System 1990> | 02-45 |
| Intake Manifold, Fuel Injection System B202 >1990..... | 02-47 |
| Intake Manifold, Fuel Injection System B234 >1993..... | 02-51 |
| Intake Manifold, Fuel Injection System 4 Cylinder 1994> | 02-55 |
| Intake Manifold, Fuel Injection System 6 Cylinder | 02-59 |
| IAC Valve, Charcoal Canister B202 | 02-61 |
| IAC Valve, Charcoal Canister 4 Cylinder 1991> | 02-63 |
| IAC Valve, Charcoal Canister 6 Cylinder..... | 02-65 |
| Exhaust System Fuel Injection B202..... | 02-67 |
| Exhaust System Turbo B202..... | 02-69 |
| Exhaust System Fuel Injection 4 Cylinder >1992 & 1994>..... | 02-71 |
| Exhaust System Fuel Injection 4 Cylinder 1993..... | 02-73 |
| Exhaust System Turbo 4 Cylinder >1992..... | 02-75 |
| Exhaust System Turbo 4 Cylinder 1993>..... | 02-77 |
| Exhaust System 6 Cylinder | 02-79 |
| Radiator And Fans 4 Cylinder | 02-81 |
| Radiator And Fans 6 Cylinder | 02-85 |
| Engine Coolant Hoses 4 Cylinder | 02-87 |
| Engine Coolant Hoses 6 Cylinder | 02-89 |
| Coolant Pump, Thermostat B202 | 02-91 |
| Coolant Pump, Thermostat 4 Cylinder 1991>..... | 02-93 |
| Coolant Pump, Thermostat 6 Cylinder | 02-95 |
| Oil Coolers..... | 02-97 |
| Turbocharger, APC System >1993..... | 02-99 |
| Turbocharger, APC System 1994>..... | 02-101 |
| EGR System..... | 02-103 |
| Secondary Air Injection (SAI) | 02-105 |

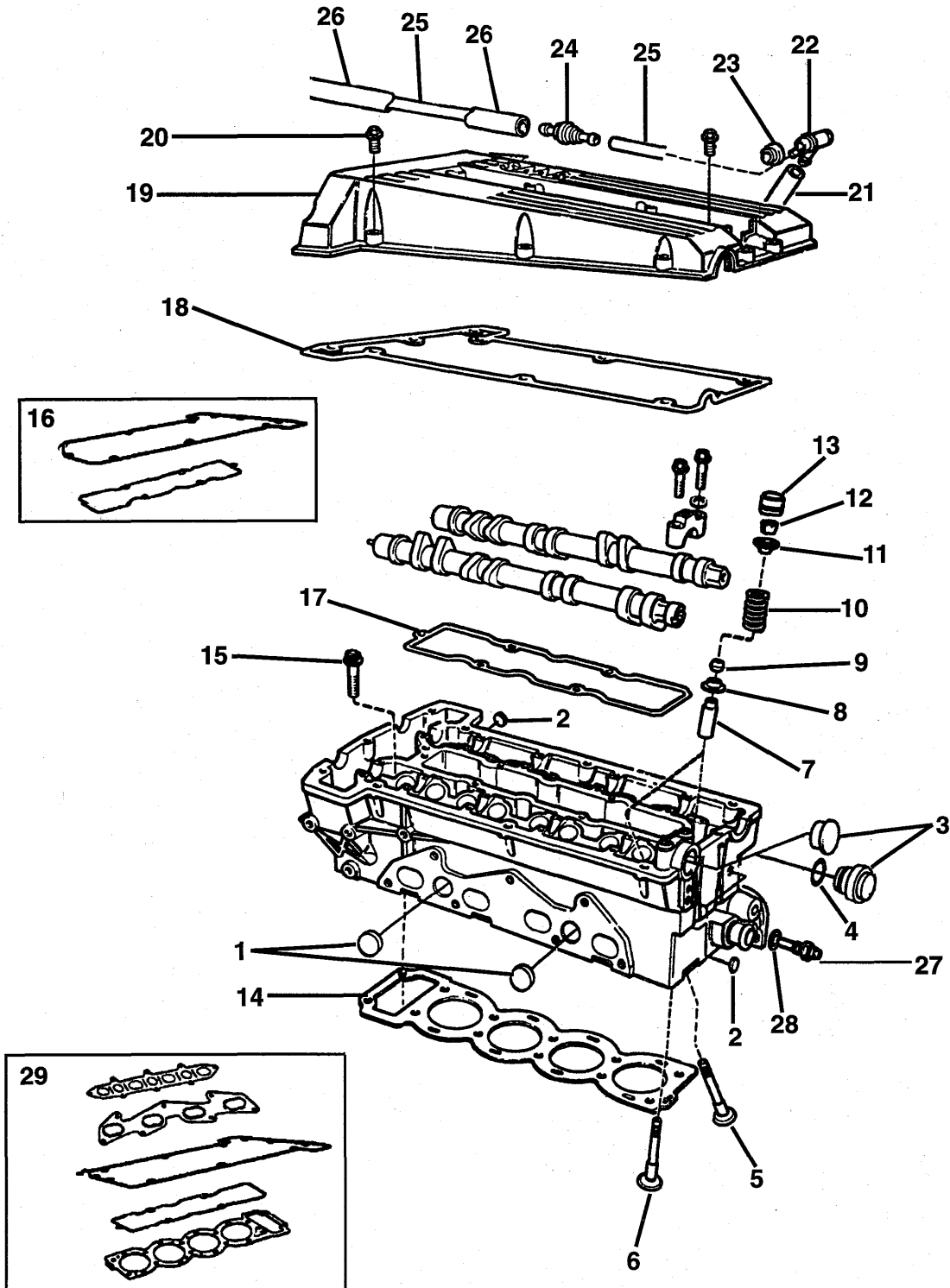
Cylinder Head B202



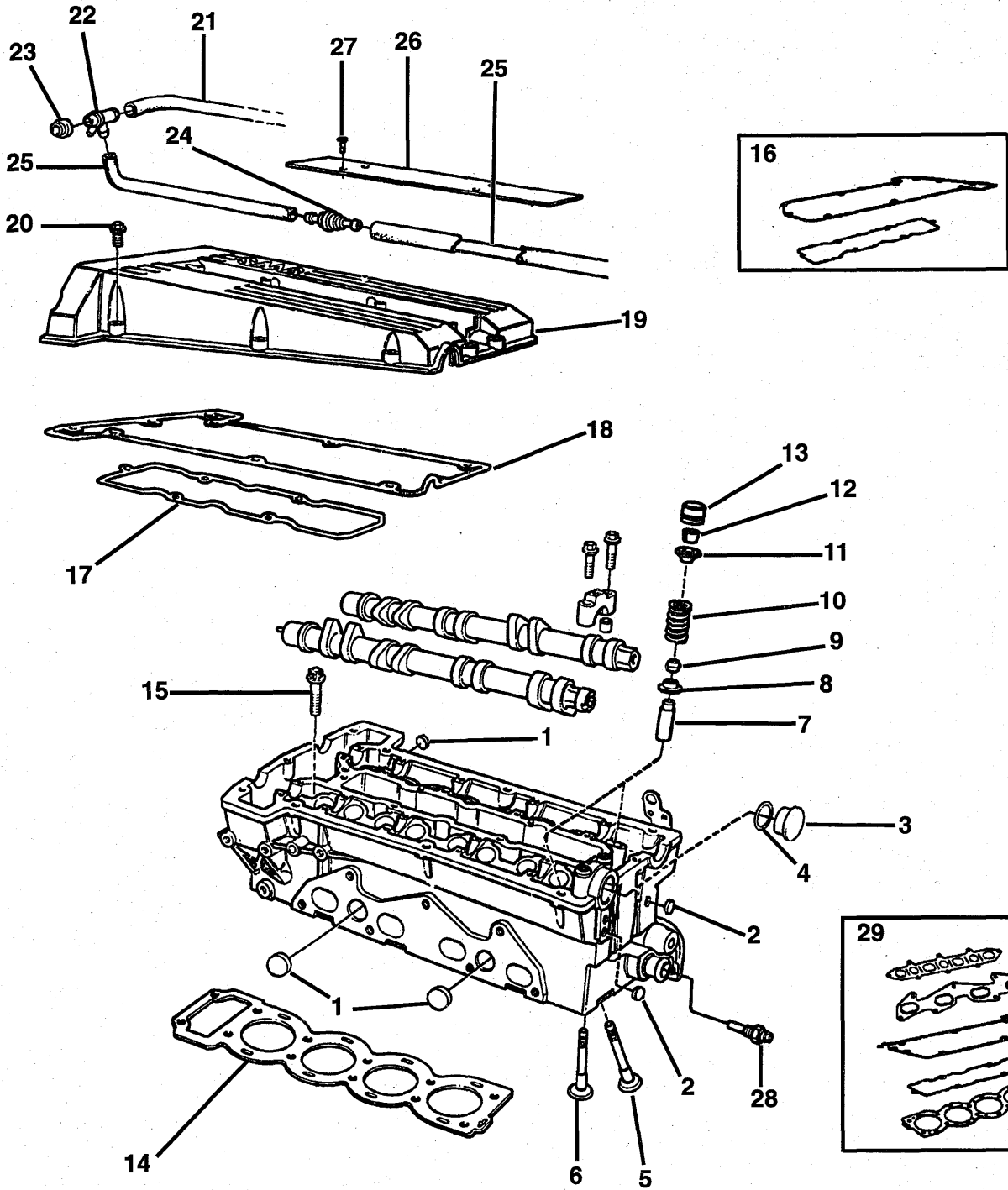
| KEY | DESCRIPTION | PART NUMBER | QTY. | NOTES |
|-----|-------------------------|-------------|------|---------------------------------|
| 1 | Plug | 75 88 320 | 2 | |
| 2 | Plug | 81 23 143 | 2 | |
| 3 | Valve Guide, Standard | 75 60 154 | 16 | |
| 3 | Valve Guide, Oversize | 75 69 734 | 16 | |
| 4 | Intake Valve | 74 84 801 | 8 | |
| 5 | Exhaust Valve | 91 65 598 | 8 | |
| 6 | Sealing | 75 00 713 | 16 | |
| 7 | Valve Spring | 91 29 651 | 16 | |
| 8 | Valve Depressor | 91 69 566 | 16 | |
| 9 | Gasket | 91 69 079 | 1 | >1990 |
| 10 | Screw | 91 85 307 | 10 | |
| 11 | Nipple | 74 80 429 | 6 | Eng. >J082585 |
| 12 | Nipple | 74 80 437 | 2 | Eng. >J082585 |
| 13 | Nipple | 74 80 445 | 1 | Eng. >J082585 |
| 14 | Nipple | 74 80 452 | 1 | Eng. >J082585 |
| 15 | Nipple | 74 80 460 | 1 | Eng. >J082585 |
| 16 | Kit, Valve Cover Gasket | 88 17 512 | X | Eng. >G52494 |
| 16 | Kit, Valve Cover Gasket | 88 22 041 | X | Eng. G52495> |
| 17 | Plug | 75 00 069 | 3 | Eng. >L015906, Included In Kit |
| 18 | Gasket | 75 20 380 | 1 | Eng. >G52494, Included In Kit |
| 18 | Gasket | 91 33 026 | 1 | Eng. G52495>, Included In Kit |
| 19 | Gasket | 93 59 647 | 1 | Eng. >G52494, Included In Kit |
| 19 | Gasket | 91 33 034 | 1 | Eng. G52495>, Included In Kit |
| 20 | Screw | 75 60 931 | 16 | |
| 21 | Screw | 75 22 790 | 4 | Eng. >G51494 Requires 75 61 673 |
| 21 | Screw | 75 22 790 | 4 | Eng. G52495> 1987 |
| 21 | Screw | 75 22 790 | 4 | 1988 Fuel Injection |
| 21 | Screw | 75 86 837 | 4 | 1988 Turbo |
| 21 | Screw | 75 86 837 | 4 | 1989> Eng. >L050918 |
| 21 | Screw | 88 57 872 | 4 | Eng. L050919> |
| 22 | Retaining Spring | 75 61 673 | 4 | Eng. >G52494 Requires 75 22 790 |
| 22 | Retaining Spring | 75 61 673 | 4 | Eng. G52495> >1988 |
| 23 | Strap | 75 12 015 | 2 | >1989 |



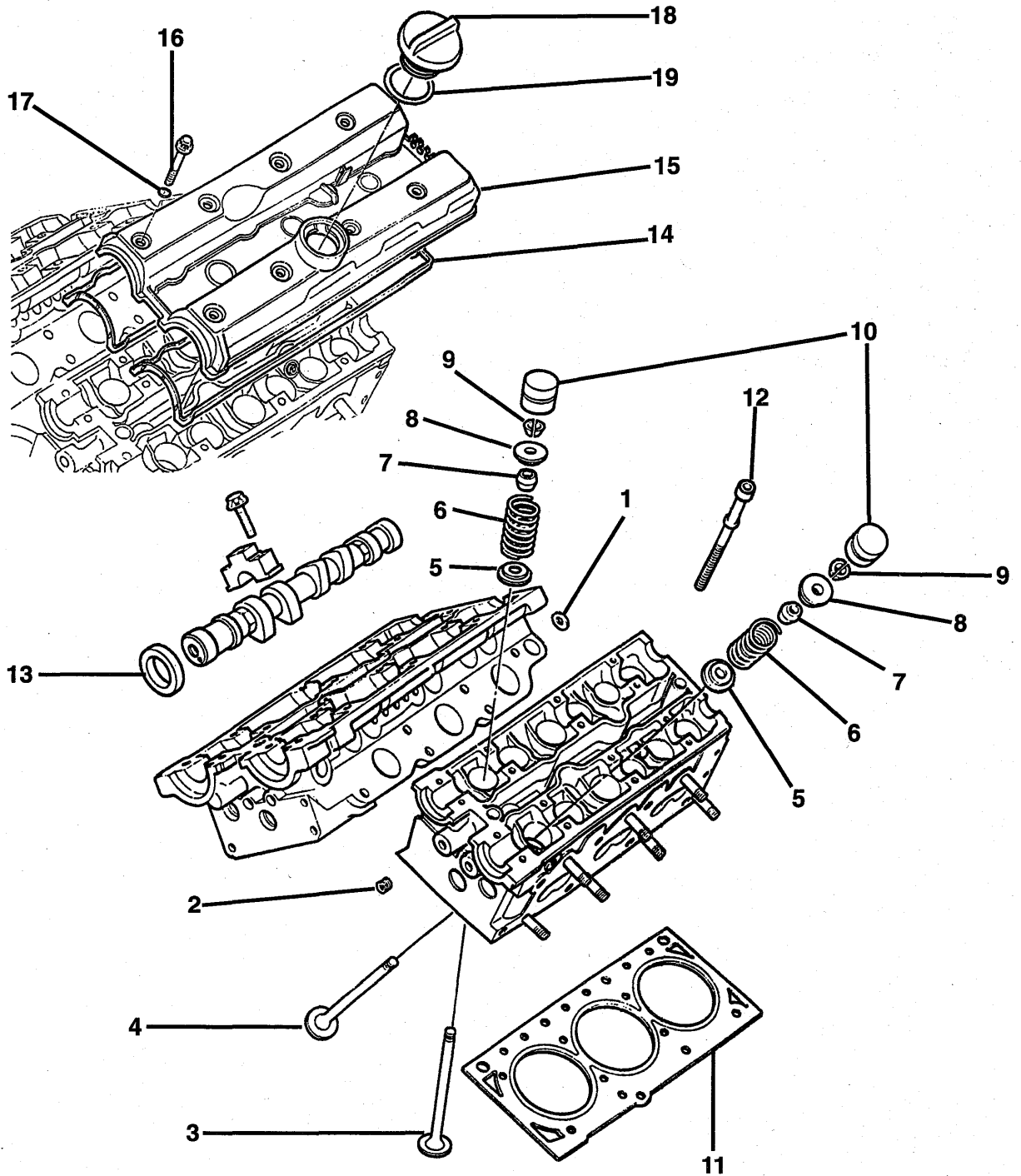
| KEY | DESCRIPTION | PART NUMBER | QTY. | NOTES |
|-----|-----------------------------|-------------|------|-------------------------|
| 24 | Nipple | 83 60 240 | 1 | >1987 |
| 24 | Nipple | 83 60 240 | 1 | 1988 Fuel Injection |
| 24 | Nipple | 75 17 048 | 1 | 1988 Turbo |
| 24 | Nipple | 75 17 048 | 1 | 1989> |
| 25 | Bushing | 75 15 190 | 1 | |
| 26 | Temperature Transmitter | 91 08 291 | 1 | |
| 27 | Sealing Washer | 91 14 885 | 16 | 1988> See SI 04/88-1048 |
| 28 | Gasket Set, Decarbonization | 88 18 007 | X | Eng. >G52494 |
| 28 | Gasket Set | 88 19 831 | X | 1990 |



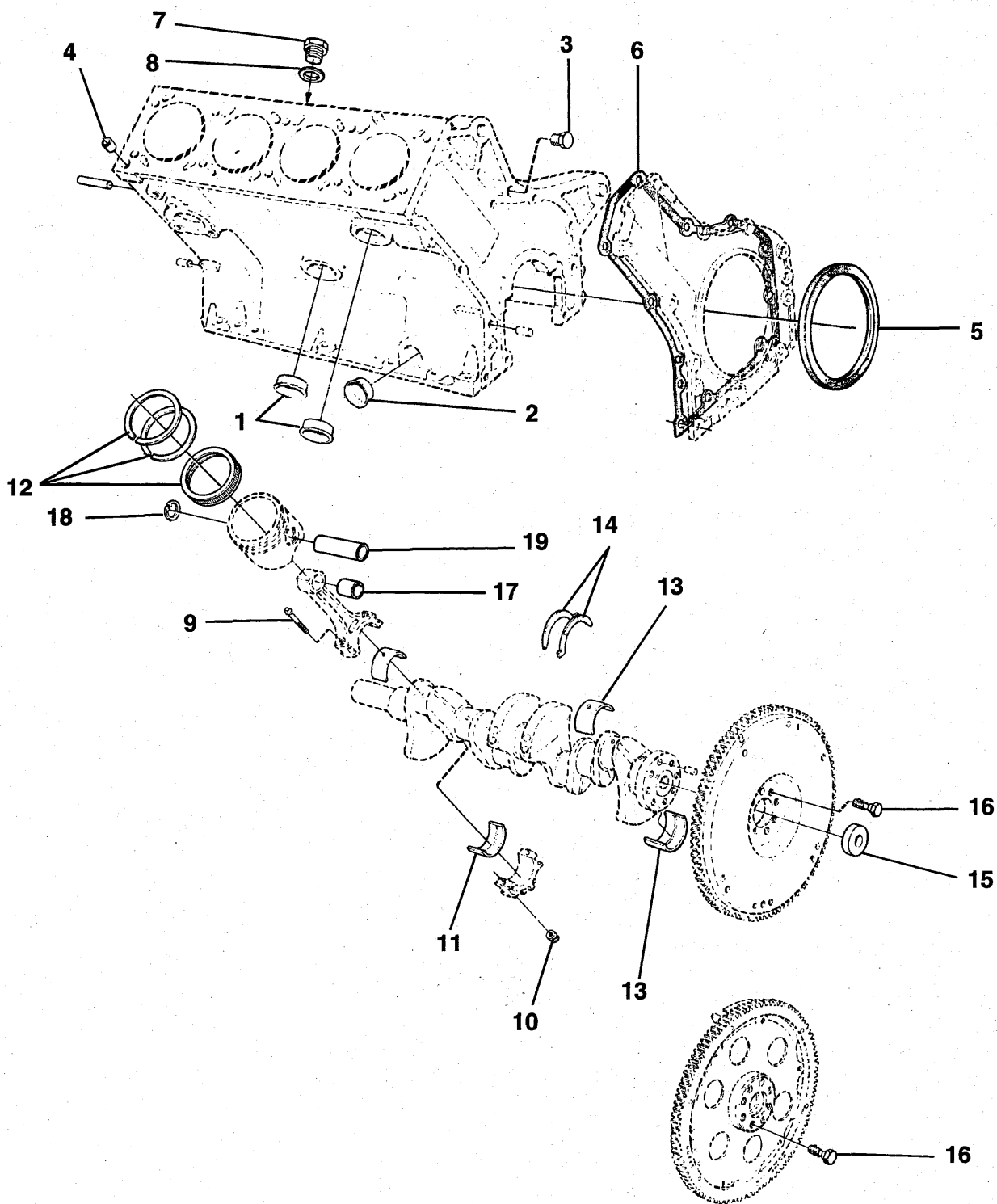
| KEY | DESCRIPTION | PART NUMBER | QTY. | NOTES |
|-----|-------------------------|-------------|------|------------------------|
| 1 | Sealing Washer | 75 88 320 | 2 | |
| 2 | Sealing Washer | 81 23 143 | 3 | |
| 3 | Plug | 75 63 075 | 1 | >1991 |
| 3 | Plug | 91 31 004 | 1 | 1991> |
| 4 | O-Ring | 91 76 470 | 1 | 1991> |
| 5 | Intake Valve | 74 84 801 | 8 | |
| 6 | Exhaust Valve | 91 65 598 | 8 | |
| 7 | Valve Guide, Standard | 74 80 577 | 16 | |
| 7 | Valve Guide, Oversize | 91 19 942 | 16 | |
| 8 | Washer, Lower | 75 05 134 | 16 | |
| 9 | Seal | 75 00 713 | 16 | |
| 10 | Spring | 91 29 651 | 16 | Fuel Injection >1991 |
| 10 | Spring | 91 29 636 | 16 | Turbo >1991 |
| 10 | Spring | 91 29 651 | 16 | 1992> |
| 11 | Washer, Upper | 75 01 349 | 16 | |
| 12 | Valve Cone | 75 15 547 | 32 | |
| 13 | Tappet | 91 69 566 | 16 | |
| 14 | Gasket, Cylinder Head | 91 69 079 | 1 | |
| 15 | Screw | 91 85 307 | 10 | |
| 16 | Gasket Kit, Valve Cover | 88 22 041 | X | Includes Items 17 & 18 |
| 17 | Gasket, Valve Cover | 91 33 034 | 1 | Included In Kit |
| 18 | Gasket, Valve Cover | 91 33 026 | 1 | Included In Kit |
| 19 | Valve Cover | 91 81 371 | 1 | |
| 20 | Screw | 91 19 967 | 11 | Eng. >P220187 |
| 20 | Screw | 75 60 931 | 5 | Eng. P220198> |
| 21 | Hose | 87 88 499 | 1 | Fuel Injection |
| 21 | Hose | 75 19 697 | 1 | Turbo |
| 22 | Nipple | 75 17 048 | 1 | |
| 23 | Bushing | 75 15 190 | 1 | |
| 24 | Check Valve | 75 21 313 | 1 | Turbo |
| 25 | Vacuum Hose | 91 36 243 | 1 | |
| 26 | Vacuum Hose | 87 86 444 | 1 | Turbo |
| 27 | Temperature Sensor | 91 08 291 | 1 | |
| 28 | Seal | 44 43 883 | 1 | |
| 29 | Gasket Kit | 93 21 605 | X | |



| KEY | DESCRIPTION | PART NUMBER | QTY. | NOTES |
|-----|-------------------------|-------------|------|-------------------------------------|
| 1 | Sealing Washer | 75 88 320 | 2 | |
| 2 | Sealing Washer | 81 23 143 | 3 | |
| 3 | Plug | 91 31 004 | 1 | >1995 |
| 3 | Plug | 91 35 211 | 1 | 1996> |
| 4 | O-Ring | 91 76 470 | 1 | 1994> |
| 5 | Intake Valve | 91 65 580 | 8 | |
| 6 | Exhaust Valve | 91 65 598 | 8 | |
| 7 | Valve Guide, Standard | 91 66 240 | 16 | >1996 |
| 7 | Valve guide, Standard | 91 85 612 | 16 | 1997> |
| 7 | Valve Guide, Oversize | 91 66 265 | 16 | |
| 8 | Washer, Lower | 75 05 134 | 16 | |
| 9 | Seal | 75 00 713 | 16 | |
| 10 | Spring | 91 29 651 | 16 | |
| 11 | Washer, Upper | 75 01 349 | 16 | |
| 12 | Valve Cone | 75 15 547 | 32 | |
| 13 | Tappet | 91 69 566 | 16 | |
| 14 | Gasket, Cylinder Head | 91 85 695 | 1 | |
| 15 | Screw | 91 85 307 | 10 | |
| 16 | Gasket Kit, Valve Cover | 88 22 041 | X | Includes Items 17 & 18 |
| 17 | Gasket, Valve Cover | 91 33 034 | 1 | Included In Kit |
| 18 | Gasket, Valve Cover | 91 33 026 | 1 | Included In Kit |
| 19 | Valve Cover | 91 81 371 | 1 | |
| 20 | Screw | 91 45 756 | 16 | |
| 21 | Hose | 87 88 499 | 1 | Fuel Injection |
| 22 | Nipple | 91 26 566 | 1 | |
| 23 | Bushing | 75 15 190 | 1 | |
| 24 | Check Valve | 75 21 313 | 1 | Turbo |
| 25 | Vacuum Hose | 91 36 243 | 1 | |
| 26 | Cover | 91 48 586 | 1 | |
| 27 | Screw | 91 45 764 | 4 | |
| 28 | Temperature Sensor | 91 08 291 | 1 | 1994 1/8" |
| 28 | Temperature Sensor | 91 85 687 | 1 | 1994 M12 |
| 28 | Temperature Sensor | 91 82 270 | 1 | 1995 - Eng. >V002172 1/8" |
| 28 | Temperature Sensor | 91 82 205 | 1 | Eng. V002173> M12 |
| 29 | Gasket Kit | 88 22 033 | X | Includes Valve Cover, Cylinder Head |

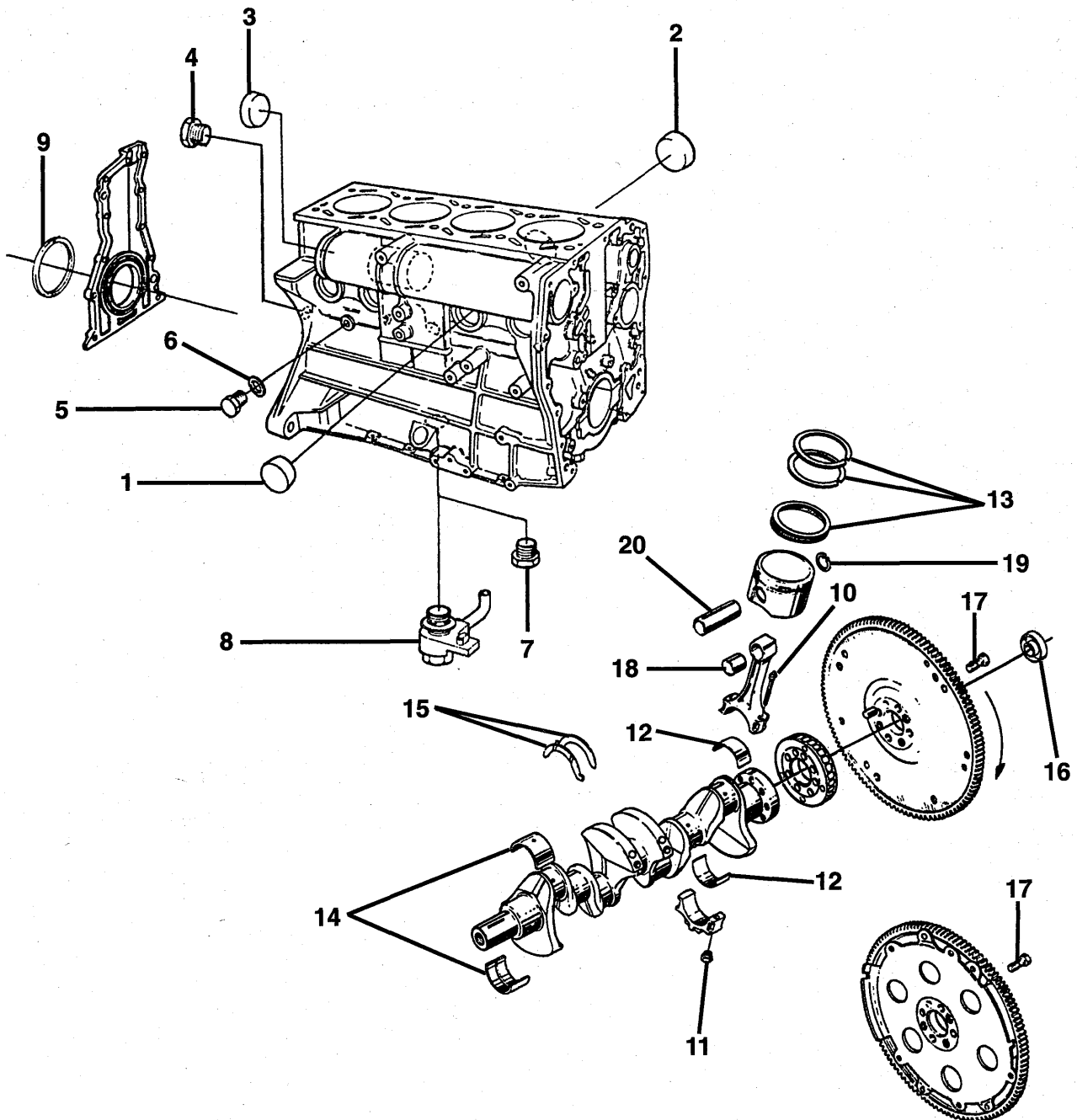


| KEY | DESCRIPTION | PART NUMBER | QTY. | NOTES |
|-----|-------------------------|-------------|------|-------|
| 1 | Sealing Washer | 47 70 004 | 8 | |
| 2 | Screw Plug | 45 00 195 | 8 | |
| 3 | Intake Valve | 45 00 849 | 6 | |
| 4 | Exhaust Valve | 46 20 670 | 6 | |
| 5 | Spring Washer, Lower | 45 00 880 | 12 | |
| 6 | Valve Spring | 45 00 906 | 12 | |
| 7 | Seal | 45 00 898 | 12 | |
| 8 | Spring Washer, Upper | 45 00 914 | 12 | |
| 9 | Valve Cone | 45 00 922 | 24 | |
| 10 | Tappet | 47 70 301 | 24 | |
| 11 | Gasket, Cylinder Head | 47 70 285 | 2 | |
| 12 | Screw | 45 01 060 | 16 | |
| 13 | Sealing Ring | 45 03 983 | 4 | |
| 14 | Gasket Kit, Valve Cover | 47 70 319 | X | |
| 15 | Valve Cover, Front | 46 23 732 | 1 | |
| 15 | Valve Cover, Rear | 46 23 740 | 1 | |
| 16 | Screw | 45 02 274 | 16 | 1995 |
| 16 | Screw | 47 70 376 | 16 | 1996> |
| 17 | O-Ring | 45 04 247 | 8 | |
| 18 | Oil Filler Cap | 45 02 357 | 1 | |
| 19 | O-Ring | 45 02 373 | 1 | |



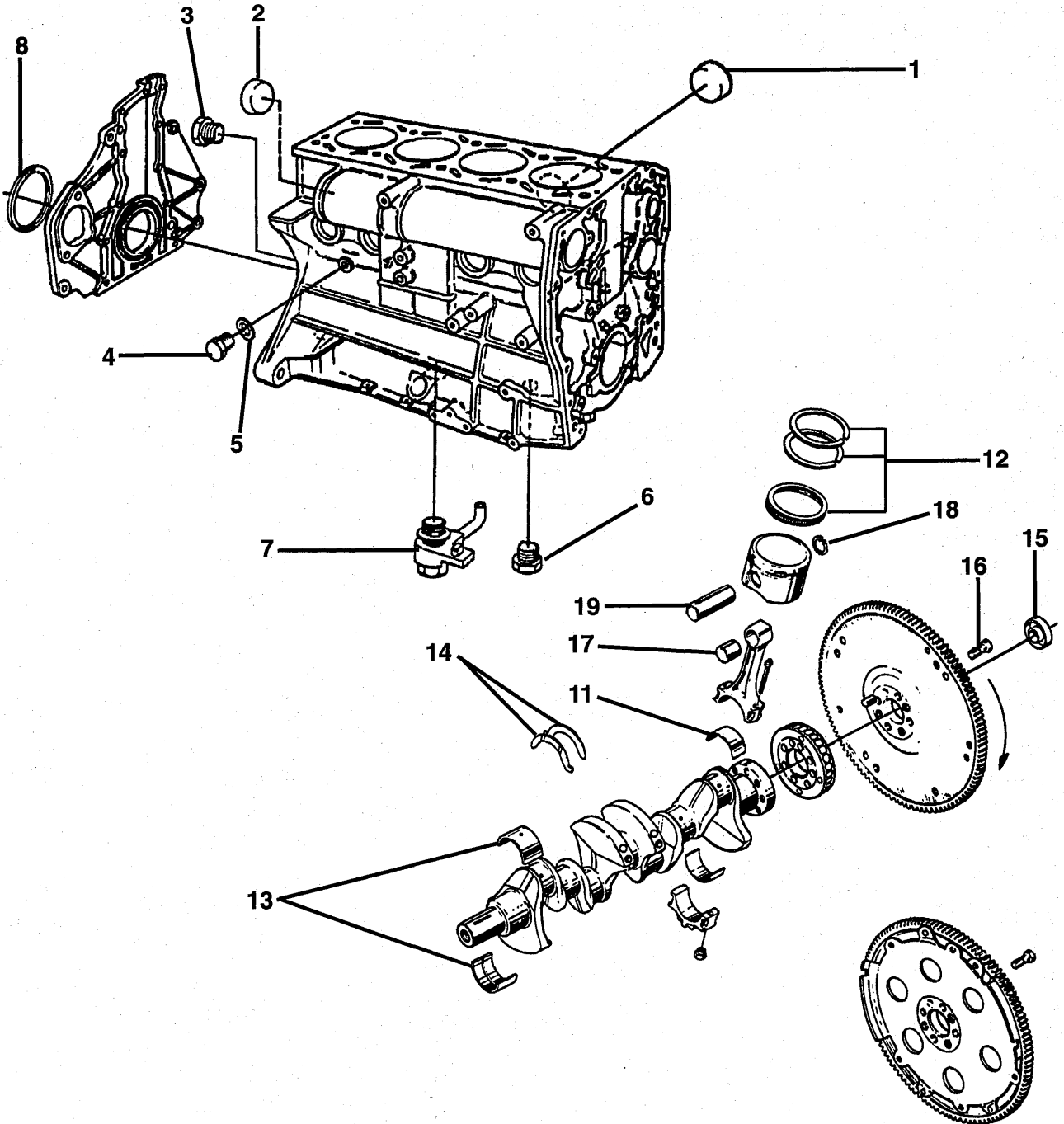
| KEY | DESCRIPTION | PART NUMBER | QTY. | NOTES |
|-----|--------------------------------|-------------|------|----------------|
| 1 | Seal Washer | 91 16 757 | 2 | |
| 2 | Seal Washer | 75 88 320 | 1 | |
| 3 | Plug | 83 48 047 | 1 | |
| 4 | Guide Sleeve | 83 46 470 | 4 | |
| 5 | Sealing Ring | 91 75 902 | 1 | |
| 6 | Gasket | 02 44 970 | 1 | |
| 7 | Plug | 75 63 042 | 1 | |
| 8 | Gasket | 81 24 141 | 1 | Fuel Injection |
| 9 | Bolt, Connecting Rod | 83 47 106 | 8 | Eng. >H004433 |
| 9 | Bolt, Connecting Rod | 75 21 255 | 8 | Eng. H004434> |
| 10 | Nut | 75 00 739 | 8 | Eng. >H004433 |
| 10 | Nut | 75 62 275 | 8 | Eng. H004434> |
| 11 | Bearing, Connecting Rod (Red) | 83 47 650 | 8 | Standard |
| 11 | Bearing, Connecting Rod (Blue) | 83 55 349 | 8 | Standard |
| 12 | Piston Rings, Set, Standard | 75 20 513 | 4 | |
| 13 | Main Bearing Half (Red) | 83 50 936 | 10 | Standard |
| 13 | Main Bearing Half (Blue) | 83 55 315 | 10 | Standard |
| 14 | Thrust Washers | 83 47 270 | 2 | |
| 15 | Guide Ring | 75 69 809 | 1 | |
| 16 | Screw | 75 61 749 | 7 | >1989 |
| 16 | Screw | 88 59 191 | 7 | 1990> |
| 17 | Bushing, Connecting Rod | 83 47 676 | 4 | |
| 18 | Lock Ring, Piston Pin | 83 47 577 | 8 | |
| 19 | Piston Pin | 83 46 983 | 4 | 73mm |
| 19 | Piston Pin | 75 68 942 | 4 | Oversize 68mm |

Engine Block Components B234 >1993 Engine



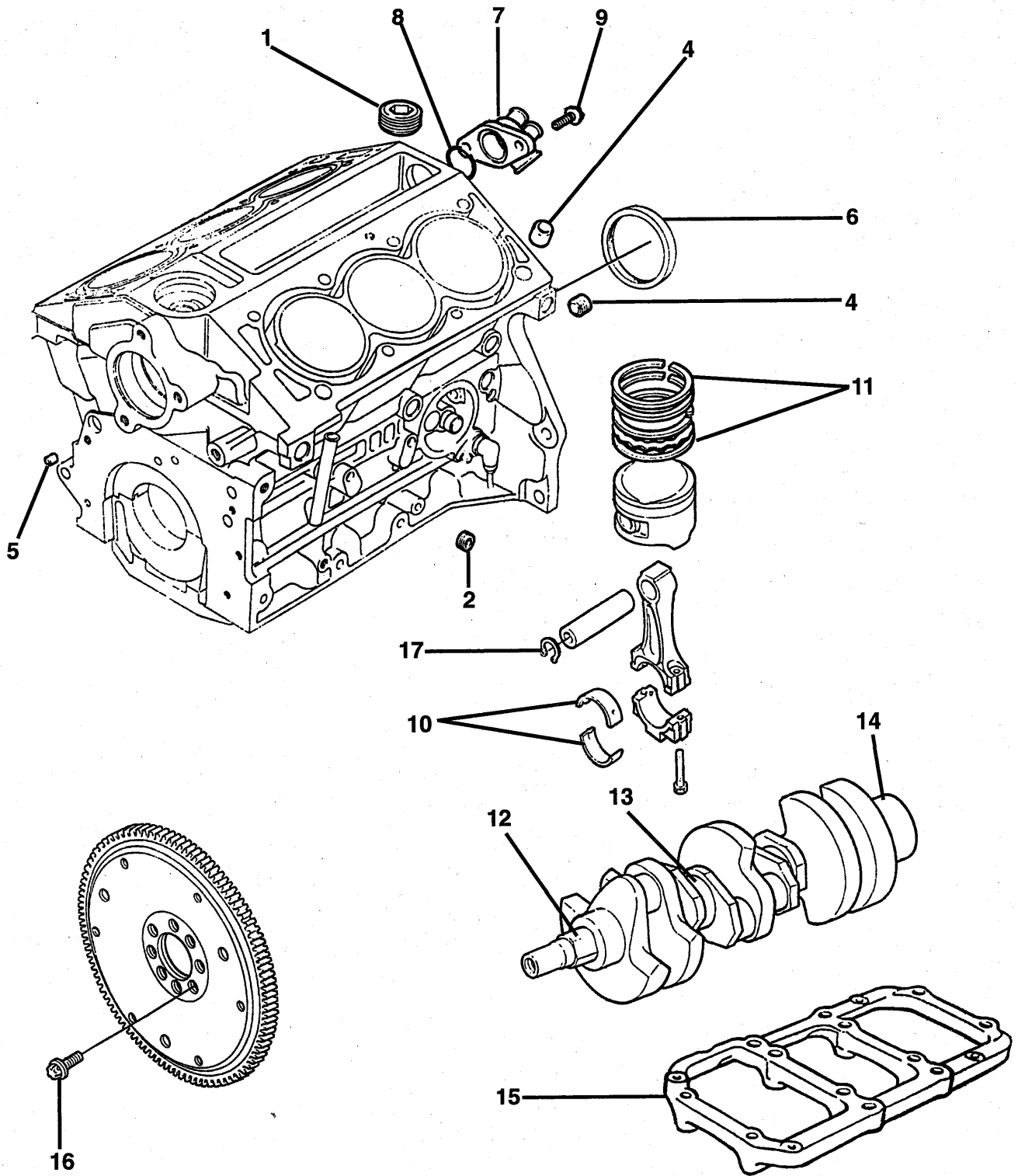
Engine Engine Block Components B234 >1993

| KEY | DESCRIPTION | PART NUMBER | QTY. | NOTES |
|-----|-----------------------------------|-------------|------|----------------|
| 1 | Sealing Washer | 34 83 419 | 1 | |
| 2 | Sealing Washer | 79 85 120 | 6 | |
| 3 | Sealing Washer | 81 23 259 | 2 | |
| 4 | Plug | 83 48 047 | 1 | |
| 5 | Plug | 75 63 042 | 1 | |
| 6 | Seal | 81 24 141 | 1 | |
| 7 | Plug | 91 15 049 | 1 | Fuel Injection |
| 8 | Piston Cooling Jet | 91 09 919 | 4 | Turbo |
| 9 | Seal | 91 75 902 | 1 | |
| 10 | Bolt, Connecting Rod | 74 80 643 | 8 | |
| 11 | Nut | 74 80 684 | 8 | |
| 12 | Bearing, Connecting Rod (Red) | 83 47 650 | 8 | >1993 |
| 12 | Bearing, Connecting Rod (Blue) | 83 55 349 | 8 | >1993 |
| 12 | Bearing, Connecting Rod, Standard | 91 45 459 | 8 | 1994> |
| 13 | Piston Ring Kit, Standard | 91 49 105 | 4 | |
| 14 | Main Bearing Half (Red) | 91 12 657 | 10 | >1993 |
| 14 | Main Bearing Half (Blue) | 91 12 665 | 10 | >1993 |
| 14 | Main Bearing Half, Standard | 91 45 418 | 10 | 1994> |
| 15 | Thrust Washer | 75 88 783 | 2 | |
| 16 | Guide Ring | 75 69 809 | 1 | |
| 17 | Screw | 88 59 191 | 7 | >1993 |
| 17 | Screw | 91 31 160 | 8 | 1994> |
| 18 | Bushing, Connecting Rod | 83 47 676 | 4 | Eng. >N413019 |
| 18 | Bushing, Connecting Rod | 91 36 946 | 4 | Eng. N413020> |
| 19 | Lock Ring, Piston Pin | 88 59 514 | 8 | |
| 20 | Piston Pin | 75 68 934 | 4 | 60mm |
| 20 | Piston Pin | 75 68 942 | 4 | 65mm |



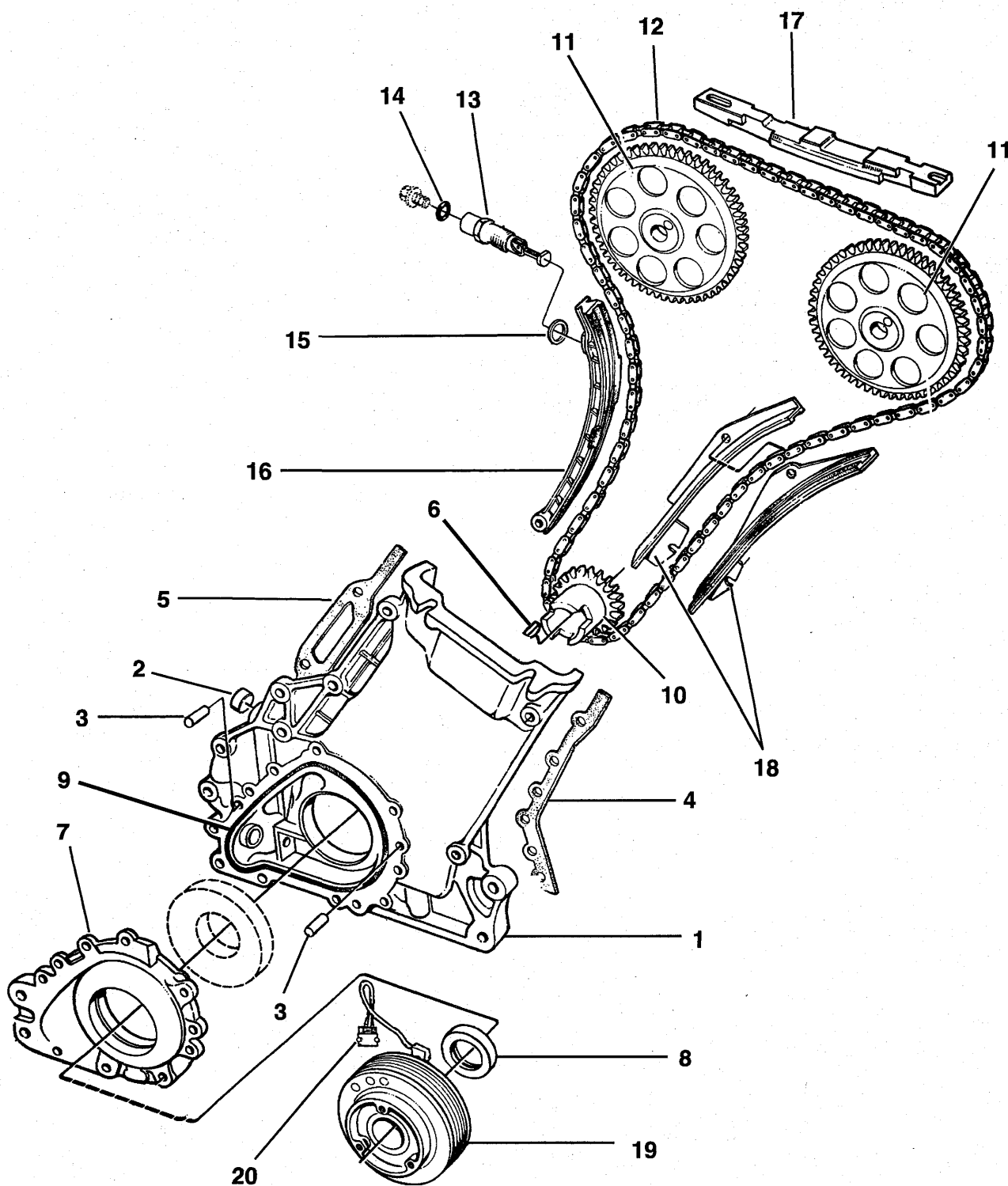
| KEY | DESCRIPTION | PART NUMBER | QTY. | NOTES |
|-----|-----------------------------------|-------------|------|---------------|
| 1 | Sealing Washer | 79 85 120 | 6 | |
| 2 | Sealing Washer | 81 23 259 | 2 | |
| 3 | Plug | 83 48 047 | 1 | |
| 4 | Plug | 75 63 042 | 1 | |
| 5 | Seal | 81 24 141 | 1 | |
| 6 | Plug | 91 15 049 | 1 | |
| 7 | Piston Cooling Jet | 91 67 677 | 4 | Turbo |
| 8 | Seal | 91 75 902 | 1 | |
| 9 | Bolt, Connecting Rod | 74 80 643 | 8 | |
| 10 | Nut | 74 80 684 | 8 | |
| 11 | Bearing, Connecting Rod (Red) | 83 47 650 | 8 | >1993 |
| 11 | Bearing, Connecting Rod (Blue) | 83 55 349 | 8 | >1993 |
| 11 | Bearing, Connecting Rod, Standard | 91 45 459 | 8 | 1994> |
| 12 | Piston Ring Kit, Standard | 91 49 105 | 4 | |
| 13 | Main Bearing Half (Red) | 91 12 657 | 10 | >1993 |
| 13 | Main Bearing Half (Blue) | 91 12 665 | 10 | >1993 |
| 13 | Main Bearing Half, Standard | 91 45 418 | 10 | 1994> |
| 14 | Thrust Washer | 75 88 783 | 2 | |
| 15 | Guide Ring | 75 69 809 | 1 | |
| 16 | Screw | 88 59 191 | 7 | >1993 |
| 16 | Screw | 91 31 160 | 8 | 1994> |
| 17 | Bushing, Connecting Rod | 83 47 676 | 4 | Eng. >N413019 |
| 17 | Bushing, Connecting Rod | 91 36 946 | 4 | Eng. N413020> |
| 18 | Lock Ring, Piston Pin | 88 59 514 | 8 | |
| 19 | Piston Pin | 75 68 934 | 4 | 60mm |
| 19 | Piston Pin | 75 68 942 | 4 | 68mm |

Engine Block Components 6 Cylinder Engine



Engine Engine Block Components 6 Cylinder

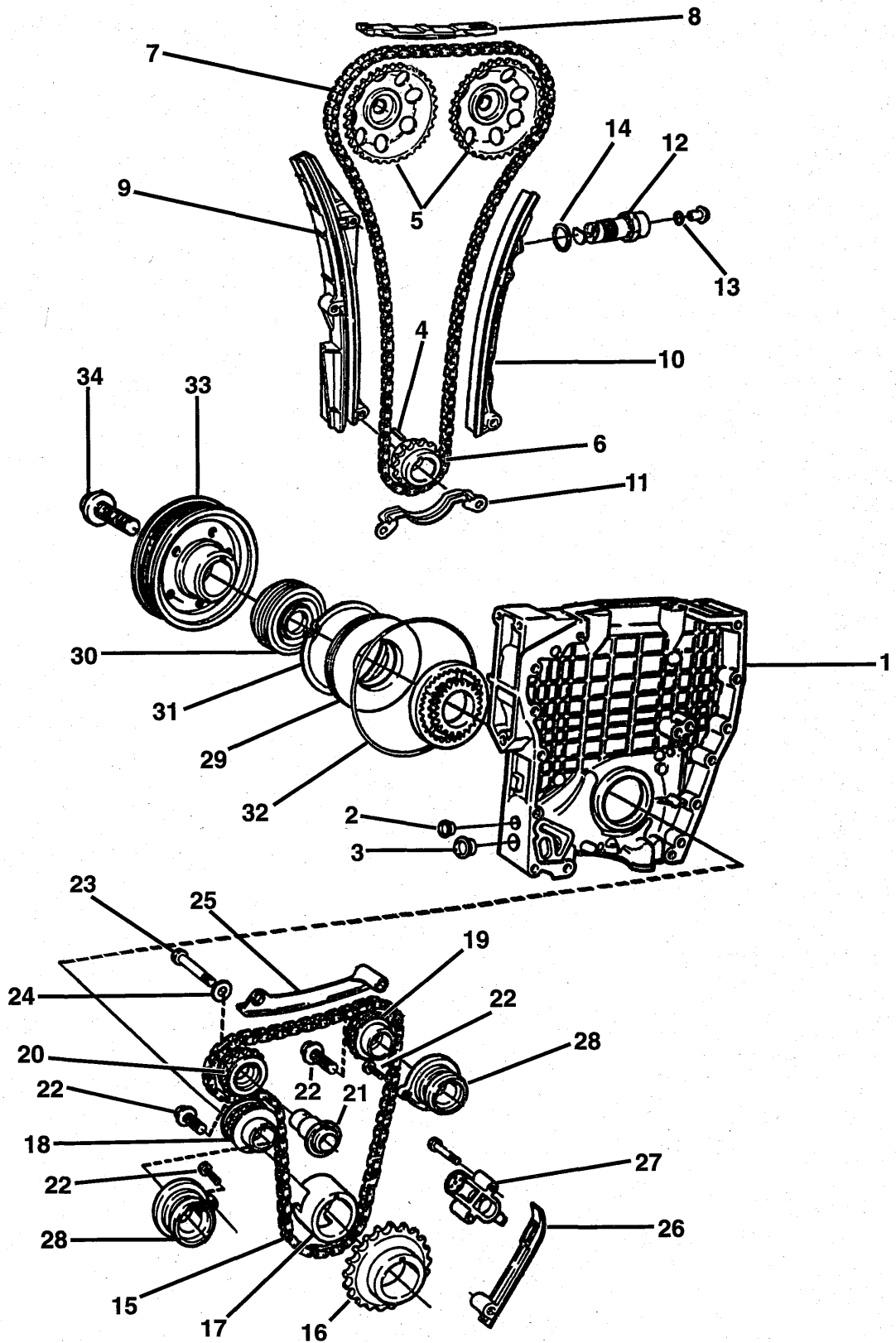
| KEY | DESCRIPTION | PART NUMBER | QTY. | NOTES |
|-----|----------------------------------|-------------|------|----------|
| 1 | Screw Plug | 45 00 229 | 3 | |
| 2 | Screw Plug | 45 00 195 | 3 | |
| 3 | Screw Plug | 45 00 179 | 3 | |
| 4 | Sleeve | 45 00 245 | 2 | |
| 5 | Sleeve | 45 00 328 | 2 | |
| 6 | Sealing Ring | 47 70 095 | 1 | |
| 7 | Pipe End | 44 41 499 | 1 | |
| 8 | O-Ring | 43 46 839 | 1 | |
| 9 | Screw | 43 46 854 | 2 | |
| 10 | Bearing Kit, Connecting Rod | 88 22 504 | 6 | Standard |
| 11 | Piston Ring Kit | 88 22 413 | 1 | |
| 12 | Main Bearing, No. 1, Standard | 93 21 977 | 1 | |
| 13 | Main Bearing, No. 2, 3, Standard | 88 21 779 | 1 | |
| 14 | Main Bearing, No. 4, Standard | 88 21 720 | 1 | |
| 15 | Bearing Carrier | 46 20 019 | 1 | |
| 16 | Screw | 44 40 251 | 8 | |
| 17 | Lock Ring, Piston Pin | 91 79 292 | 2 | |



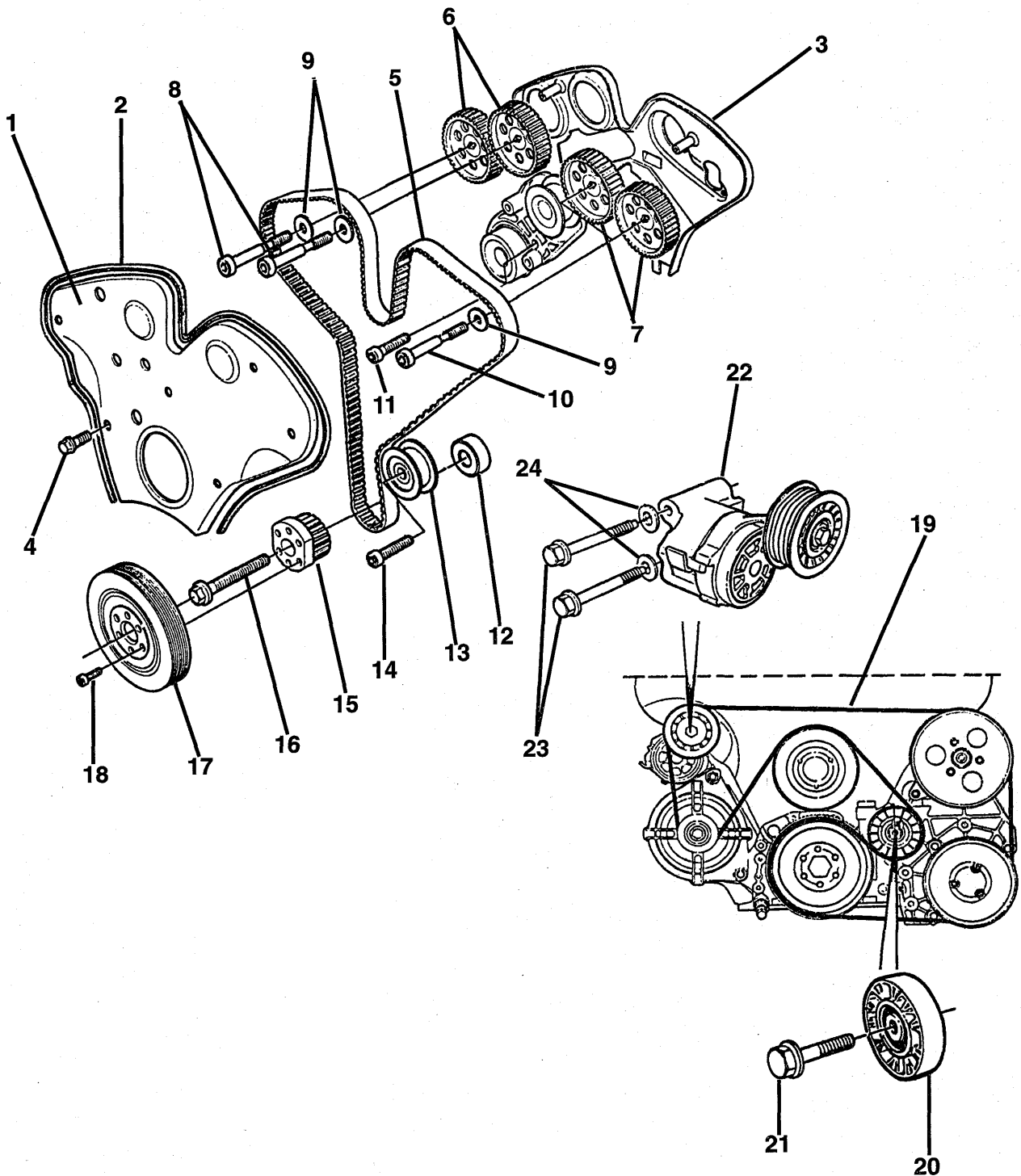
| KEY | DESCRIPTION | PART NUMBER | QTY. | NOTES |
|-----|-----------------------------|-------------|------|--------------------------------|
| 1 | Timing Chain Cover Assembly | 75 17 113 | 1 | |
| 2 | Plug | 81 23 176 | 1 | Included With Cover |
| 3 | Pin | 79 49 696 | 1 | |
| 4 | Gasket | 02 44 970 | X | (Loctite Instead Of Gasket) |
| 5 | Gasket | 02 44 970 | X | (Loctite Instead Of Gasket) |
| 6 | Key | 83 47 122 | 1 | |
| 7 | Pump Housing Assembly | 75 86 993 | 1 | >1988 Requires 87 88 150 |
| 7 | Pump Housing Assembly | 75 86 993 | 1 | 1989> Turbo Requires 87 88 150 |
| 7 | Pump Housing Assembly | 75 86 993 | 1 | 1989> Fuel Injection |
| 8 | Sealing Ring | 91 73 576 | 1 | |
| 9 | O-Ring | 91 25 824 | 1 | |
| 10 | Chain Wheel | 75 18 640 | 1 | |
| 11 | Chain Wheel | 75 00 127 | 2 | |
| 12 | Chain | 75 00 697 | 1 | |
| 13 | Chain Tensioner | 75 85 086 | 1 | |
| 14 | O-Ring | 80 48 670 | 1 | Included With Tensioner |
| 15 | Gasket | 75 08 690 | 1 | |
| 16 | Chain Guide | 88 58 276 | 1 | |
| 17 | Chain Guide | 75 05 845 | 1 | >1989 |
| 17 | Chain Guide | 88 59 324 | 1 | 1990> |
| 18 | Chain Guide | 91 33 505 | 1 | |
| 19 | Belt Pulley | 93 21 530 | 1 | >1989 Turbo |
| 19 | Belt Pulley | 93 21 530 | 1 | 1990> Turbo |
| 19 | Belt Pulley | 93 21 548 | 1 | 1987> Fuel Injection |
| 20 | Sensor | 74 82 540 | 1 | 1989> |

Engine Timing Chain, Front Cover B234 >1993

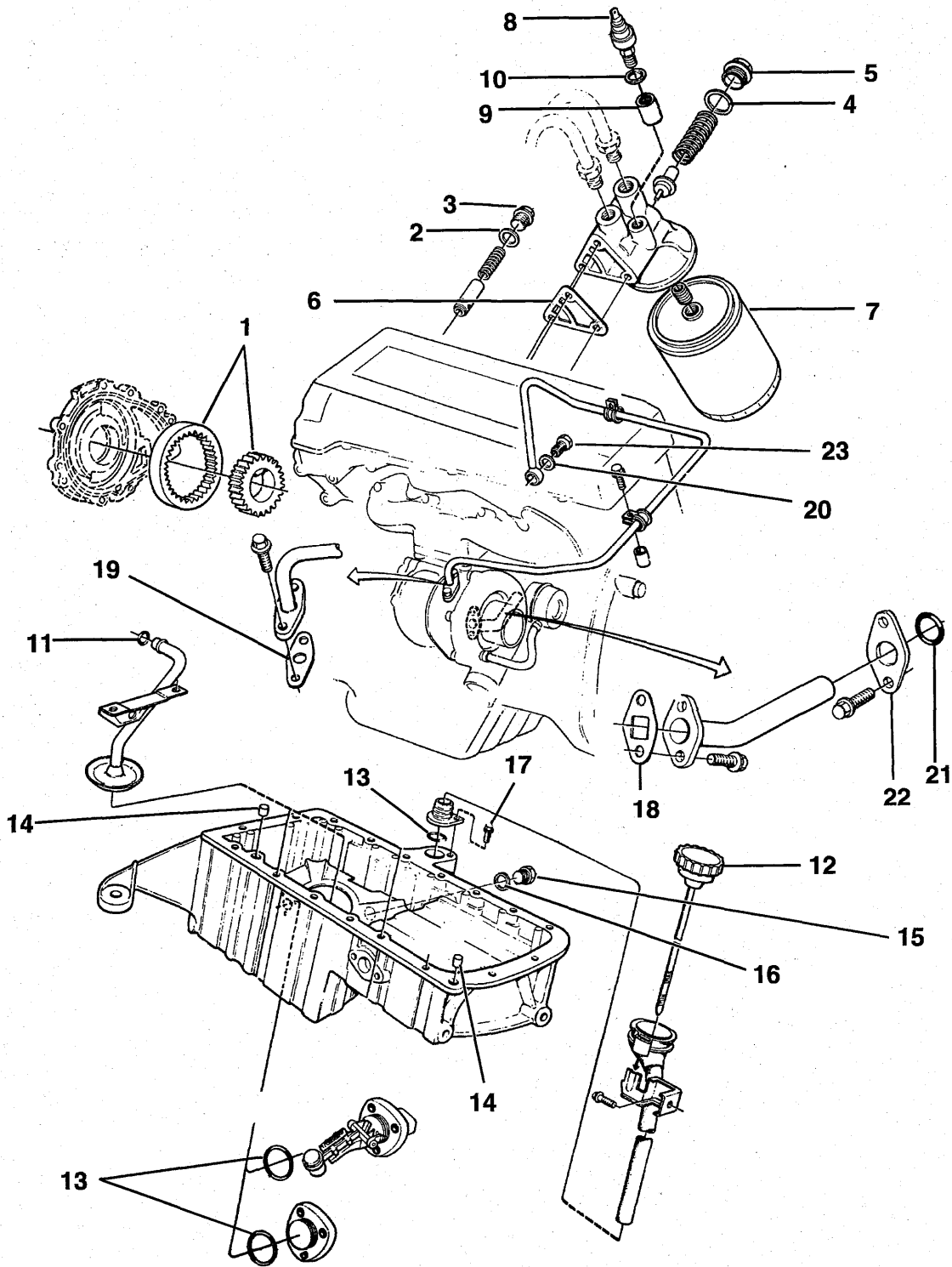
| KEY | DESCRIPTION | PART NUMBER | QTY. | NOTES |
|-----|----------------------|-------------|------|-------------------------|
| 1 | Front Cover Assembly | 87 89 786 | 1 | |
| 2 | Pin | 79 49 696 | 2 | |
| 3 | Key | 91 16 864 | 1 | |
| 4 | Chain Gear | 91 15 205 | 2 | |
| 5 | Chain Gear | 91 15 197 | 1 | |
| 6 | Chain | 91 31 145 | 1 | |
| 7 | Chain Guide | 88 59 324 | 1 | |
| 8 | Chain Guide | 91 34 230 | 1 | |
| 9 | Chain Guide | 91 34 248 | 1 | |
| 10 | Chain Protection | 91 12 293 | 1 | |
| 11 | Chain Tensioner | 75 85 086 | 1 | |
| 12 | O-Ring | 80 48 670 | 1 | Included With Tensioner |
| 13 | Seal | 75 08 690 | 1 | |
| 14 | Balance Chain | 74 85 105 | 1 | |
| 15 | Chain Gear | 91 40 716 | 1 | |
| 16 | Companion Flange | 91 15 247 | 1 | |
| 17 | Chain Gear | 91 40 690 | 1 | |
| 18 | Chain Gear | 91 40 674 | 1 | |
| 19 | Chain Gear | 91 40 658 | 1 | |
| 20 | Shaft | 91 13 119 | 1 | |
| 21 | Screw | 79 74 694 | 2 | |
| 22 | Screw | 91 66 349 | 1 | |
| 23 | Thrust Washer | 91 13 424 | 1 | |
| 24 | Chain Guide | 91 32 812 | 1 | |
| 25 | Chain Guide | 91 14 315 | 1 | |
| 26 | Chain Tensioner | 91 14 356 | 1 | |
| 27 | Bearing Housing | 91 15 288 | 2 | |
| 28 | Oil Pump Housing | 91 15 122 | 1 | |
| 29 | Seal | 91 73 576 | 1 | Included With Housing |
| 30 | O-Ring | 91 25 816 | 1 | |
| 31 | Pulley | 91 43 199 | 1 | |
| 32 | Screw | 91 16 443 | 1 | |



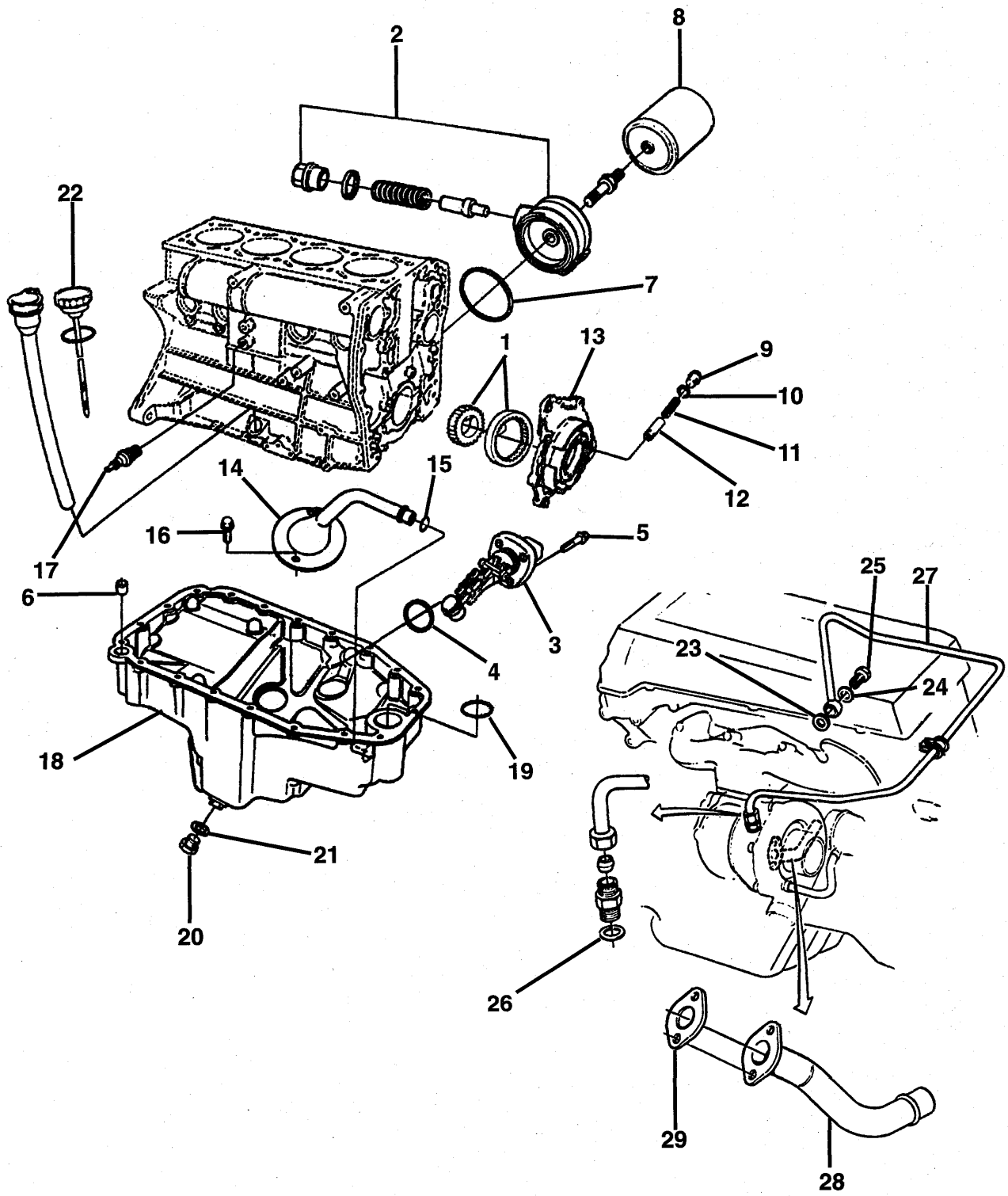
| KEY | DESCRIPTION | PART NUMBER | QTY. | NOTES |
|-----|----------------------|-------------|------|-------------------------|
| 1 | Front Cover Assembly | 91 43 652 | 1 | |
| 2 | Plug | 81 23 168 | 1 | |
| 3 | Plug | 81 23 192 | 1 | |
| 4 | Key | 91 16 864 | 1 | |
| 5 | Chain Gear | 91 15 205 | 2 | |
| 6 | Chain Gear | 91 15 197 | 1 | |
| 7 | Chain | 91 31 145 | 1 | |
| 8 | Chain Guide | 88 59 324 | 1 | |
| 9 | Chain Guide | 91 45 350 | 1 | |
| 10 | Chain Guide | 91 45 376 | 1 | |
| 11 | Chain Protection | 91 36 532 | 1 | |
| 12 | Chain Tensioner | 75 85 086 | 1 | |
| 13 | O-Ring | 80 48 670 | 1 | Included With Tensioner |
| 14 | Seal | 75 08 690 | 1 | |
| 15 | Balance Chain | 74 85 105 | 1 | |
| 16 | Chain Gear | 91 38 264 | 1 | |
| 17 | Companion Flange | 91 29 727 | 1 | |
| 18 | Chain Gear | 91 42 068 | 1 | |
| 19 | Chain Gear | 91 42 035 | 1 | |
| 20 | Chain Gear | 91 40 658 | 1 | |
| 21 | Shaft | 91 45 392 | 1 | |
| 22 | Screw | 80 59 982 | 2 | |
| 23 | Screw | 79 84 735 | 1 | |
| 24 | Thrust Washer | 91 30 535 | 1 | |
| 25 | Chain Guide | 91 45 368 | 1 | |
| 26 | Chain Guide | 91 45 384 | 1 | |
| 27 | Chain Tensioner | 91 39 130 | 1 | |
| 28 | Bearing Housing | 91 15 288 | 2 | |
| 29 | Oil Pump Housing | 91 38 934 | 1 | |
| 30 | Seal | 91 73 576 | 1 | Included With Housing |
| 31 | Lock Ring | 91 29 719 | 1 | |
| 32 | O-Ring | 91 30 600 | 1 | |
| 33 | Pulley | 91 44 841 | 1 | |
| 34 | Screw | 91 16 443 | 1 | |



| KEY | DESCRIPTION | PART NUMBER | QTY. | NOTES |
|-----|-------------------------------|-------------|------|-----------------------|
| 1 | Timing Gear Casing, Front | 47 70 533 | 1 | |
| 2 | Seal | 45 02 845 | 1 | Included With Casing |
| 3 | Timing Gear Casing, Rear | 45 02 803 | 1 | 1995 |
| 3 | Timing Gear Casing, Rear | 47 70 467 | 1 | 1996> To Eng. >146659 |
| 3 | Timing Gear Casing, Rear | 47 70 525 | 1 | Eng. 146660> |
| 4 | Screw | 79 78 091 | 9 | Eng. >54773 |
| 4 | Screw | 46 23 724 | 9 | Eng. 54774> |
| 5 | Timing Belt | 46 21 348 | 1 | Eng. >146659 |
| 5 | Timing Belt | 47 70 491 | 1 | Eng. 146660> |
| 6 | Timing Gear, Cylinder 1, 3, 5 | 45 03 991 | 2 | |
| 7 | Timing Gear, Cylinder 2, 4, 6 | 46 23 898 | | |
| 8 | Screw | 45 04 023 | 2 | |
| 9 | Thrust Washer | 45 04 049 | 4 | |
| 10 | Screw | 45 04 031 | 2 | |
| 11 | Screw | 45 04 130 | 3 | |
| 12 | Thrust Ring | 45 04 064 | 1 | |
| 13 | Guide Roller | 47 71 085 | 1 | |
| 14 | Screw | 45 04 106 | 1 | |
| 15 | Crankshaft Gear | 45 04 056 | 1 | |
| 16 | Screw | 45 04 072 | 1 | |
| 17 | Pulley | 44 43 214 | 1 | |
| 18 | Screw | 43 46 854 | 6 | |
| 19 | Belt | 43 95 463 | 1 | |
| 20 | Tensioner Pulley | 42 37 038 | 1 | |
| 21 | Screw | 79 78 190 | 1 | |
| 22 | Belt Tensioner | 42 37 020 | | |
| 23 | Screw | 79 79 214 | 2 | |
| 24 | Washer | 80 73 108 | 2 | |

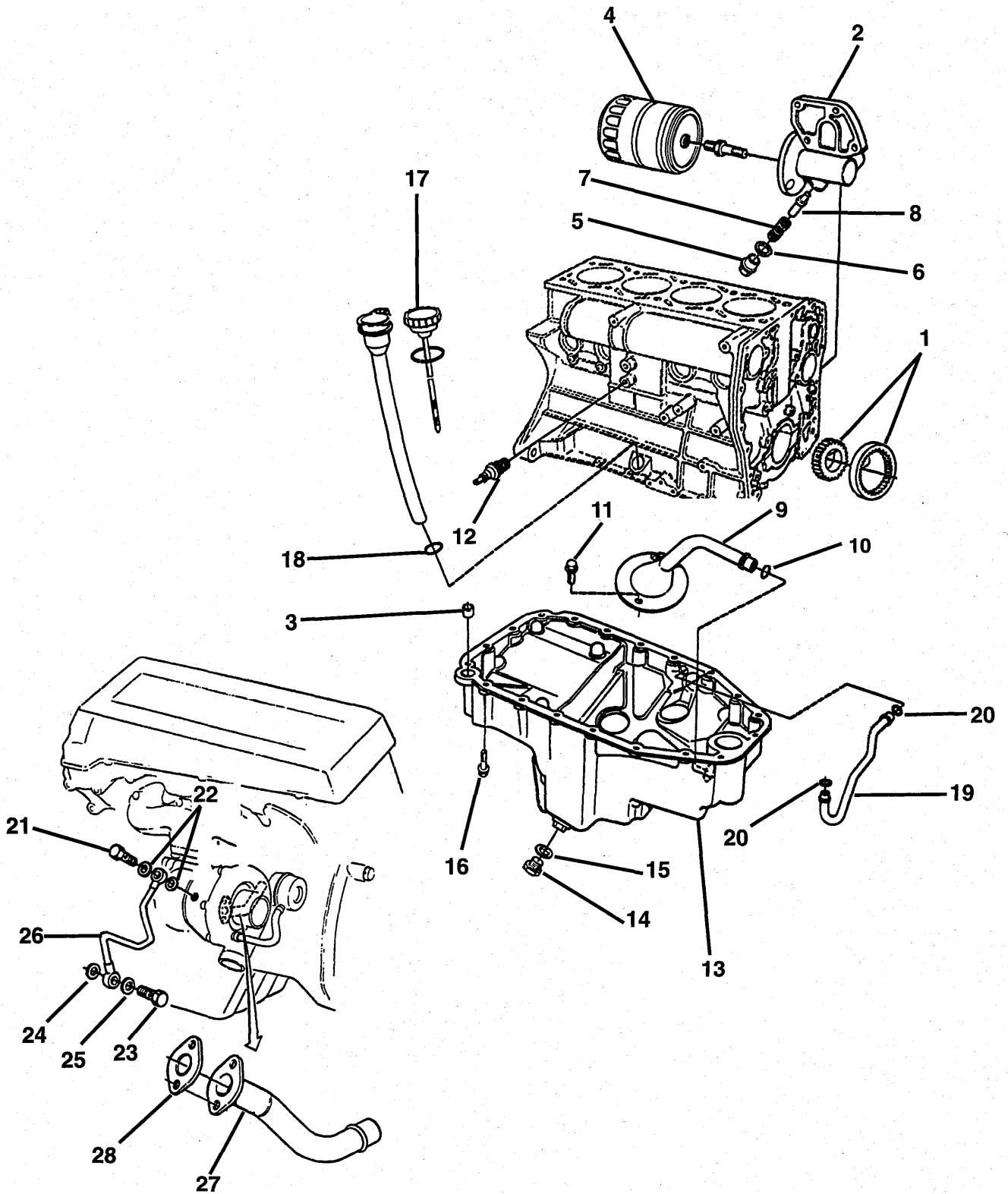


| KEY | DESCRIPTION | PART NUMBER | QTY. | NOTES |
|------|---------------------|-------------|------|--|
| 1 | Pump Gears | 93 21 779 | 1 | |
| 2 | Sealing Washer | 93 55 389 | | |
| 3 | Plug | 75 08 955 | 1 | |
| 4 | Gasket | 91 09 182 | 1 | Turbo |
| 5 | Plug | 75 20 372 | 1 | Turbo |
| 6 | Gasket | 75 66 433 | 1 | |
| 7 | Oil Filter | 91 44 445 | 1 | |
| 8 | Oil Pressure Sensor | 88 18 528 | 1 | VIN >G1007152 Turbo |
| 8 | Oil Pressure Sensor | 91 12 459 | 1 | VIN G1007153> Turbo, 1986> |
| Fuel | | | | Injection Use Adapter 75 64 248 For Cars >G1007152 VIN >G1007152 |
| 9 | Adapter | 75 64 248 | 1 | |
| 10 | Gasket | 91 09 182 | | |
| 11 | O-Ring | 91 46 598 | 1 | |
| 12 | Dipstick Assembly | 93 86 541 | 1 | Manual Trans. VIN >H1008847 |
| 12 | Dipstick Assembly | 93 91 467 | 1 | Manual Trans. VIN H1008848> |
| 12 | Dipstick Assembly | 93 91 467 | 1 | Auto. Trans. |
| 13 | O-Ring | 79 70 361 | 1 | |
| 14 | Guide Sleeve | 83 00 725 | 2 | Eng. >J088939 |
| 14 | Guide Sleeve | 74 84 934 | 2 | Eng. J088940> |
| 15 | Plug | 75 63 042 | 1 | |
| 16 | Gasket | 75 22 709 | 1 | |
| 17 | Screw | 79 74 694 | 1 | |
| 18 | Gasket | 75 18 970 | 1 | Turbo >1989 |
| 18 | Gasket | 91 17 599 | 1 | Turbo 1990> |
| 19 | Gasket | 75 07 700 | 1 | Turbo >1989 |
| 19 | Gasket | 81 24 133 | 1 | Turbo 1990> |
| 20 | Gasket | 81 24 141 | 2 | Turbo >1989 |
| 20 | Gasket | 81 24 141 | 2 | Turbo 1990> |
| 21 | O-Ring | 75 02 263 | 1 | Turbo >1989 |
| 22 | Flange | 75 68 512 | 1 | Turbo >1989 Eng. >K079155 |
| 22 | Flange | 75 66 474 | 1 | Turbo Eng. K079156> |
| 23 | Banjo Screw | 81 23 903 | 1 | Turbo |



| KEY | DESCRIPTION | PART NUMBER | QTY. | NOTES |
|-----|---------------------|-------------|------|----------------|
| 1 | Oil Pump Kit | 93 21 779 | 1 | |
| 2 | Connector | 91 15 296 | 1 | |
| 3 | Sensor | 93 90 154 | 1 | |
| 4 | O-Ring | 79 70 361 | 1 | |
| 5 | Screw | 79 74 694 | 3 | |
| 6 | Guide Sleeve | 83 46 470 | 1 | |
| 7 | O-Ring | 80 47 128 | 1 | |
| 8 | Oil Filter | 91 44 445 | 1 | |
| 9 | Plug | 75 08 955 | 1 | |
| 10 | Gasket | 93 55 389 | 1 | |
| 11 | Spring | 93 09 998 | 1 | |
| 12 | Piston | 91 09 067 | 1 | |
| 13 | Oil Pump Housing | 91 15 122 | 1 | |
| 14 | Tube | 91 26 731 | 1 | |
| 15 | O-Ring | 91 38 009 | 1 | |
| 16 | Screw | 81 25 015 | 8 | |
| 17 | Oil Pressure Sensor | 91 12 459 | | |
| 18 | Oil Pan | 91 15 015 | 1 | |
| 19 | O-Ring | 91 38 017 | 1 | |
| 20 | Plug | 75 63 042 | 1 | >1990 |
| 20 | Plug | 91 32 929 | 1 | 1991> |
| 21 | Gasket | 75 22 709 | 1 | >1990 |
| 21 | Gasket | 91 32 937 | 1 | 1991> |
| 22 | Dipstick | 91 17 466 | 1 | Fuel Injection |
| 22 | Dipstick | 87 87 731 | 1 | Turbo |
| 23 | Gasket | 41 61 162 | 1 | Turbo |
| 24 | Gasket | 81 24 141 | 1 | Turbo |
| 25 | Banjo Screw | 81 23 903 | 1 | Turbo |
| 26 | Gasket | 81 24 133 | 1 | Turbo |
| 27 | Tube | 91 38 728 | 1 | Turbo T25 |
| 27 | Tube | 91 38 769 | 1 | Turbo TD04 |
| 28 | Tube | 91 14 018 | 1 | Turbo T25 |
| 28 | Tube | 91 68 204 | 1 | Turbo TD04 |
| 29 | Gasket | 91 14 075 | 1 | Turbo T25 |
| 29 | Gasket | 91 07 582 | 1 | Turbo TD04 |

Lubrication System 4 Cylinder 1994> Engine



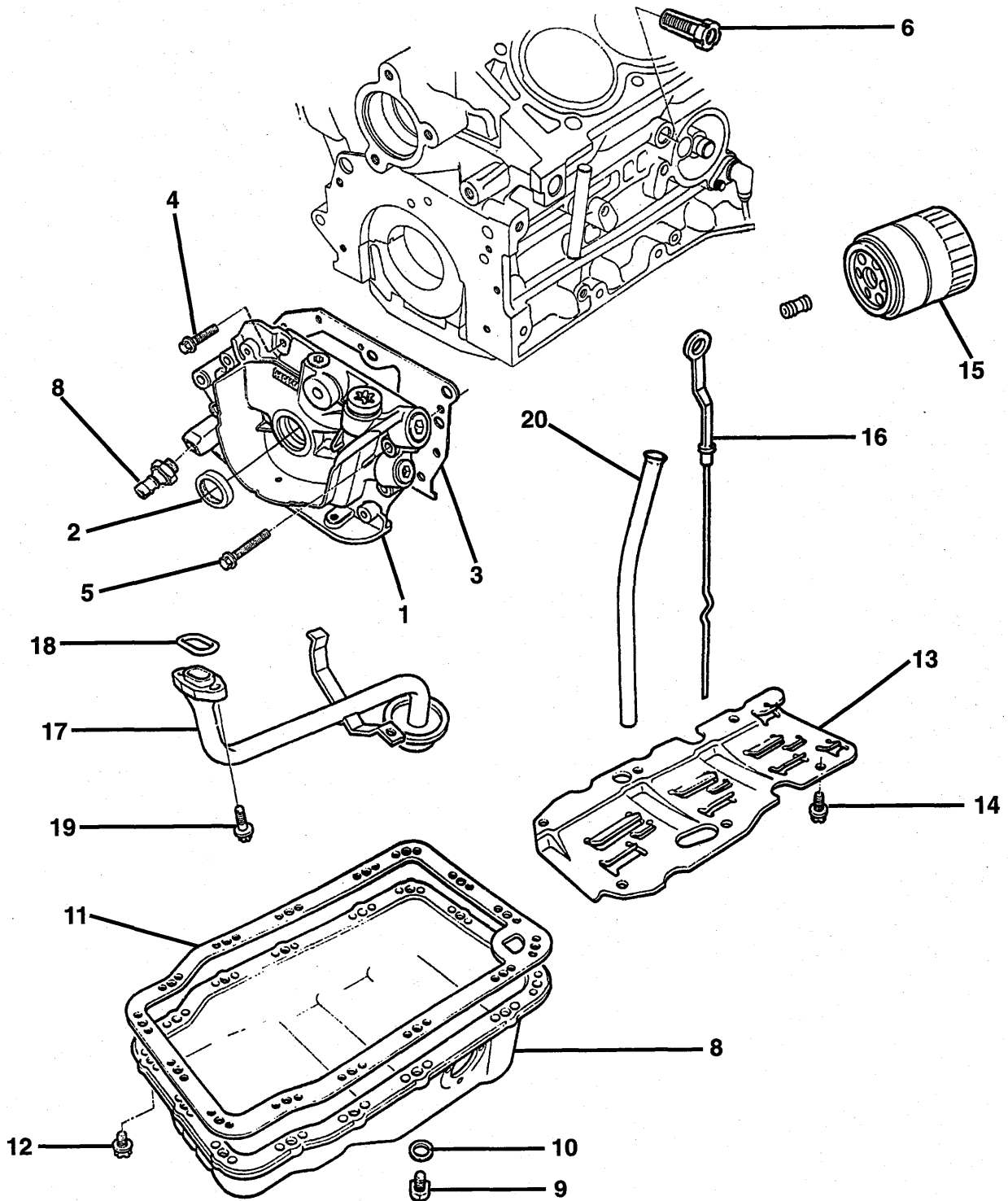
02-32

9000

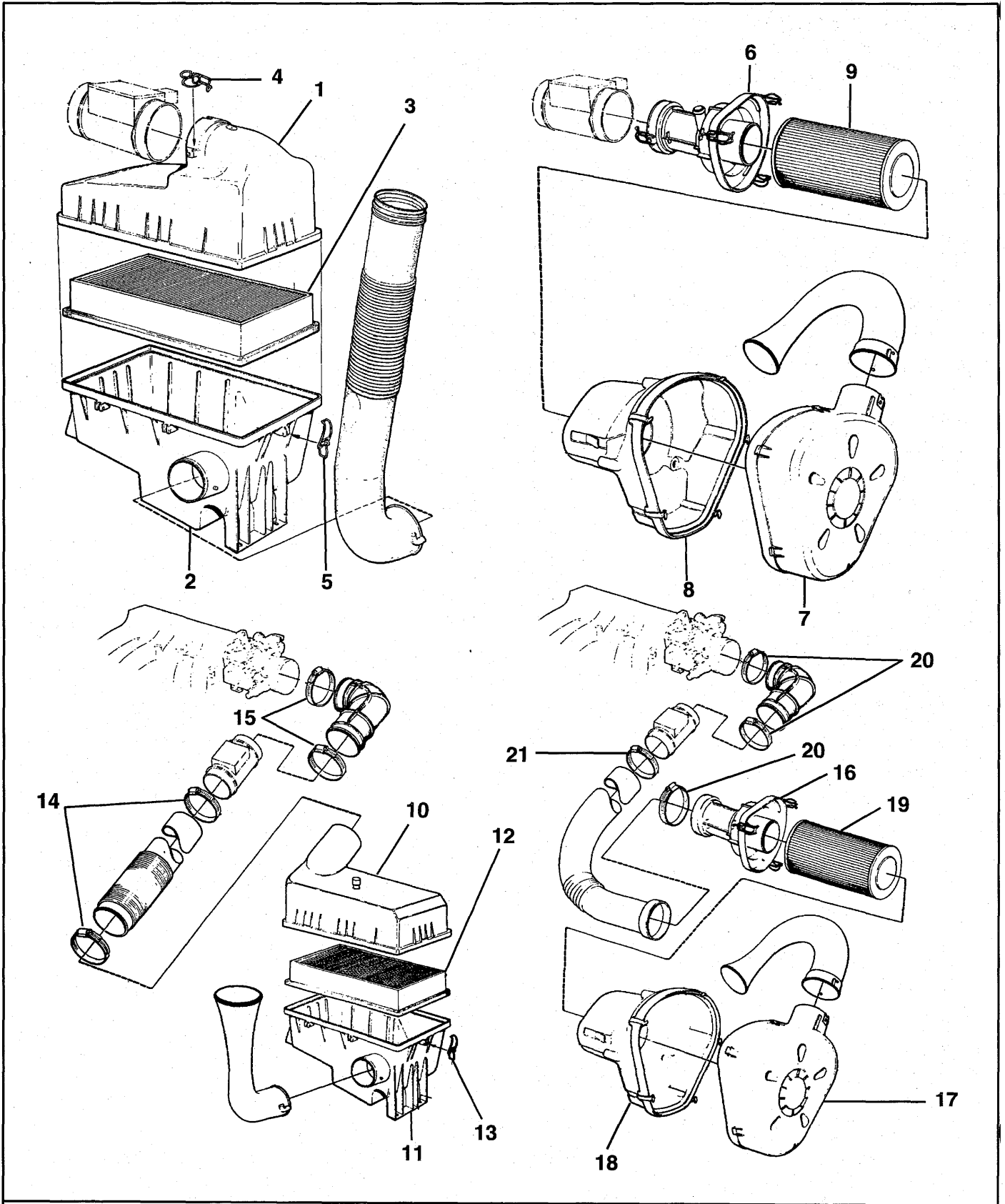
SAAB genuine parts

Engine Lubrication System 4 Cylinder 1994>

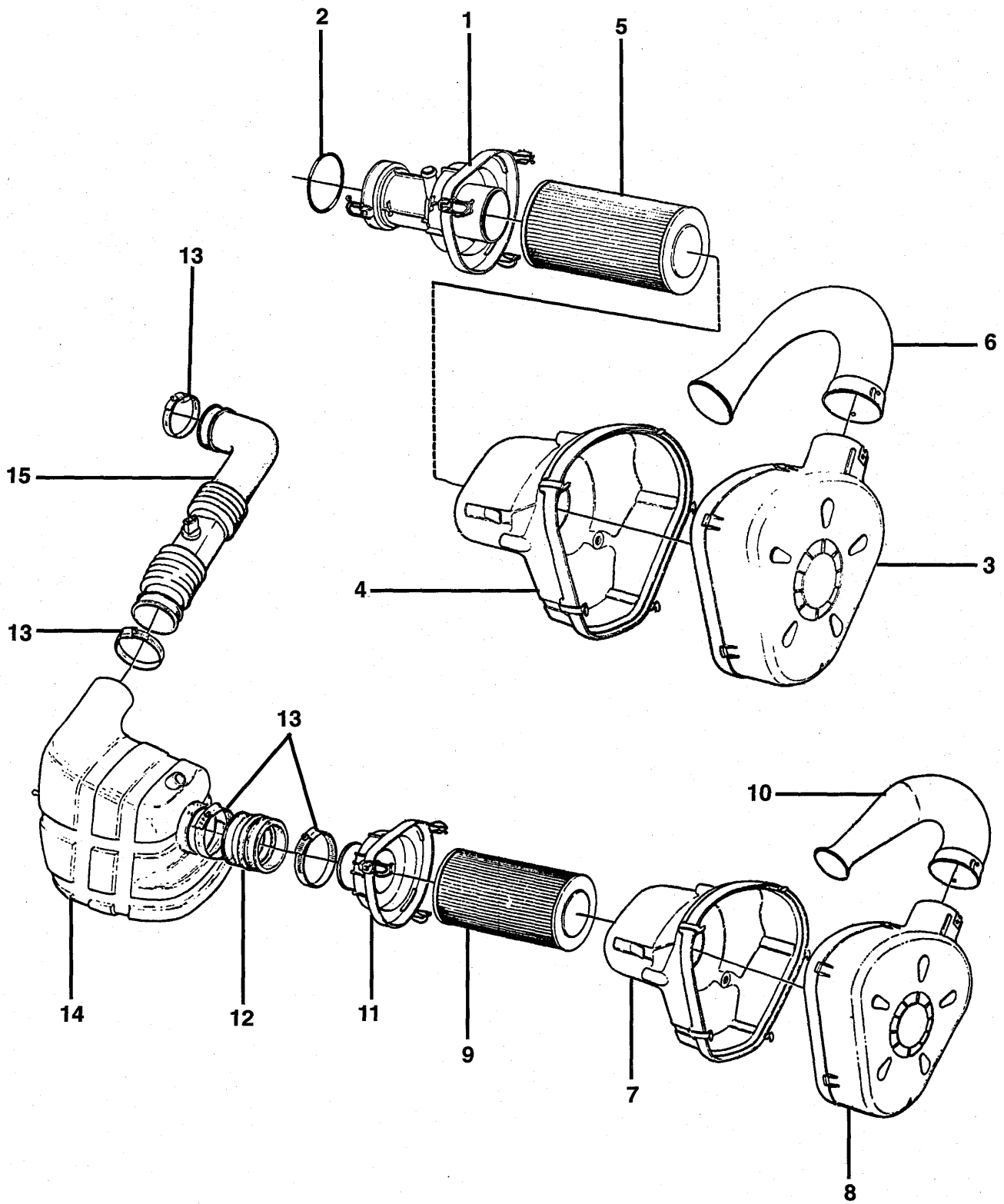
| KEY | DESCRIPTION | PART NUMBER | QTY. | NOTES |
|-----|---------------------|-------------|------|----------------------------|
| 1 | Oil Pump Kit | 93 21 936 | 1 | |
| 2 | Connector | 91 39 239 | 1 | |
| 2 | Connector | 91 46 622 | 1 | With Air-Cooled Oil Cooler |
| 3 | Guide Sleeve | 83 46 470 | 1 | |
| 4 | Oil Filter | 91 44 445 | 1 | |
| 5 | Plug | 91 48 396 | 1 | With Air-Cooled Oil Cooler |
| 6 | Gasket | 91 48 404 | 1 | With Air-Cooled Oil Cooler |
| 7 | Spring | 91 48 388 | 1 | With Air-Cooled Oil Cooler |
| 8 | Thermostat | 91 48 370 | 1 | With Air-Cooled Oil Cooler |
| 9 | Tube | 91 65 564 | 1 | |
| 10 | O-Ring | 91 38 009 | 1 | |
| 11 | Screw | 79 71 294 | 7 | |
| 12 | Oil Pressure Sensor | 91 12 459 | 1 | |
| 13 | Oil Pan | 91 44 023 | 1 | |
| 14 | Plug | 91 32 929 | 1 | |
| 15 | Gasket | 91 32 937 | 1 | |
| 16 | Screw | 40 87 243 | 18 | >1996 |
| 16 | Screw | 79 78 208 | 18 | 1997> |
| 17 | Dipstick | 91 17 466 | 1 | Fuel Injection 1994 |
| 17 | Dipstick | 87 87 731 | 1 | Turbo 1994 |
| 17 | Dipstick | 91 70 630 | 1 | Fuel Injection 1995> |
| 17 | Dipstick | 91 70 655 | 1 | Turbo 1995> |
| 18 | O-Ring | 91 38 108 | 1 | Included With Dipstick |
| 19 | Tube | 91 30 618 | 1 | VIN >T010437 |
| 19 | Tube | 91 75 696 | 1 | VIN T010438> |
| 20 | O-Ring | 91 37 993 | 2 | |
| 21 | Banjo Screw | 91 36 524 | 1 | Turbo |
| 22 | Gasket | 81 24 133 | 2 | Turbo |
| 23 | Banjo Screw | 91 43 967 | 1 | Turbo |
| 24 | Gasket | 41 61 162 | 1 | Turbo |
| 25 | Gasket | 81 24 141 | 1 | Turbo |
| 26 | Tube | 91 46 168 | 1 | T25 |
| 26 | Tube | 91 70 473 | 1 | TD04 |
| 27 | Tube | 91 46 176 | 1 | T25 |
| 27 | Tube | 91 68 220 | 1 | TD04 Eng. >S54880 |
| 27 | Tube | 91 76 140 | 1 | TD04 Eng. S54881> |
| 28 | Gasket | 91 14 075 | 1 | Turbo |



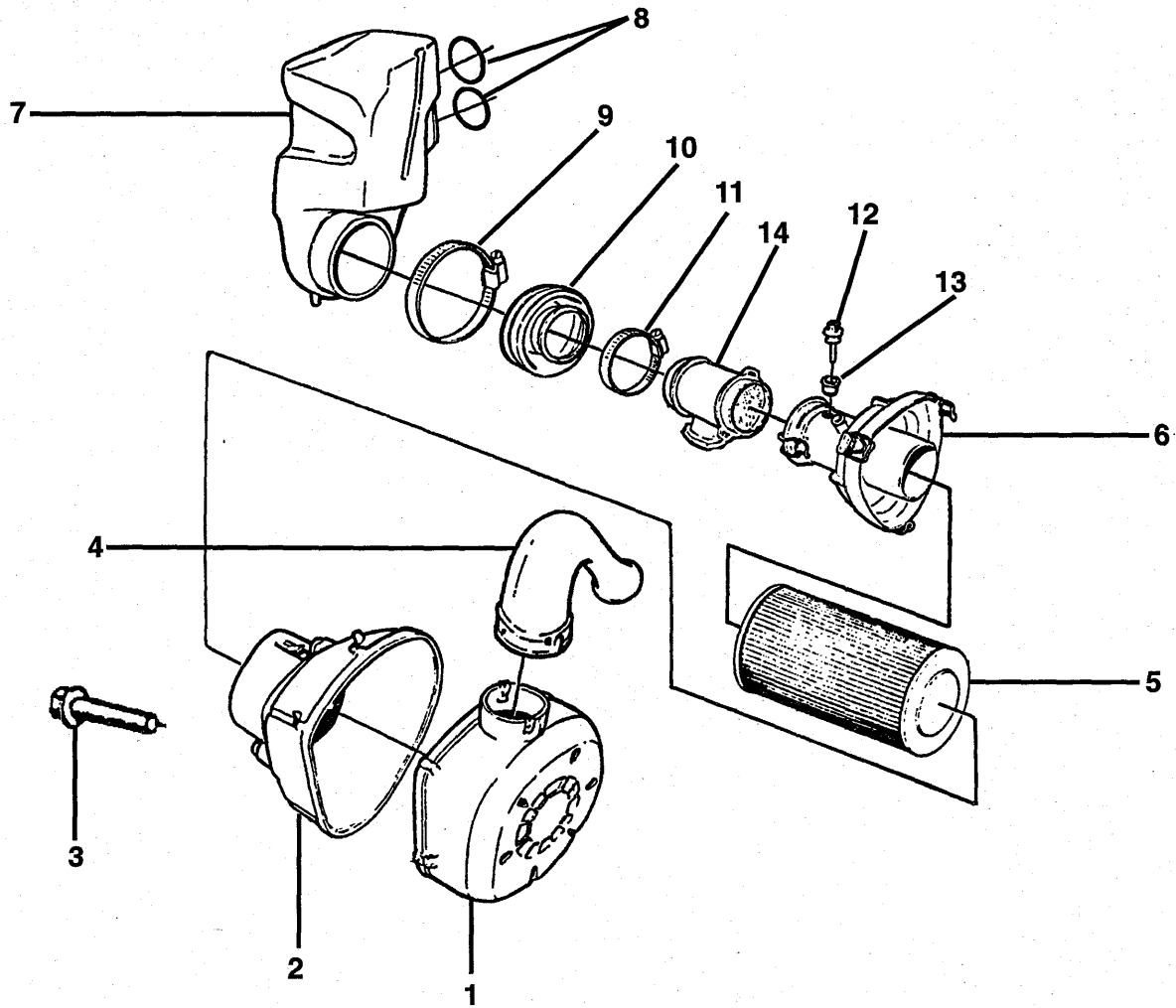
| KEY | DESCRIPTION | PART NUMBER | QTY. | NOTES |
|-----|---------------------|-------------|------|--------------------|
| 1 | Oil Pump | 45 02 241 | 1 | |
| 2 | Seal | 46 22 296 | 1 | Included With Pump |
| 3 | Gasket | 45 02 258 | 1 | |
| 4 | Screw | 45 02 274 | 1 | 1995 |
| 4 | Screw | 47 70 376 | 1 | 1996> |
| 5 | Screw | 45 00 732 | 5 | |
| 6 | By-Pass Valve | 45 00 419 | 1 | |
| 7 | Oil Pressure Sensor | 45 04 585 | 1 | 1995 |
| 7 | Oil Pressure Sensor | 47 70 186 | 1 | 1996> |
| 8 | Oil Pan | 46 20 027 | 1 | |
| 9 | Plug | 45 02 142 | 1 | Included With Pan |
| 10 | Seal Ring | 43 45 716 | 1 | Included With Pan |
| 11 | Gasket | 45 02 167 | 1 | |
| 12 | Screw | 45 01 110 | 17 | |
| 13 | Baffle Plate | 46 21 074 | 1 | |
| 14 | Screw | 79 78 091 | 6 | |
| 15 | Oil Filter | 45 02 696 | 1 | |
| 16 | Dipstick | 46 20 142 | 1 | |
| 17 | Oil Pipe | 45 02 308 | 1 | |
| 18 | Sealing Ring | 45 02 332 | 1 | |
| 19 | Screw | 45 02 274 | 2 | 1995 |
| 19 | Screw | 47 70 376 | 2 | 1996> |
| 20 | Dipstick Tube | 45 27 008 | 1 | |



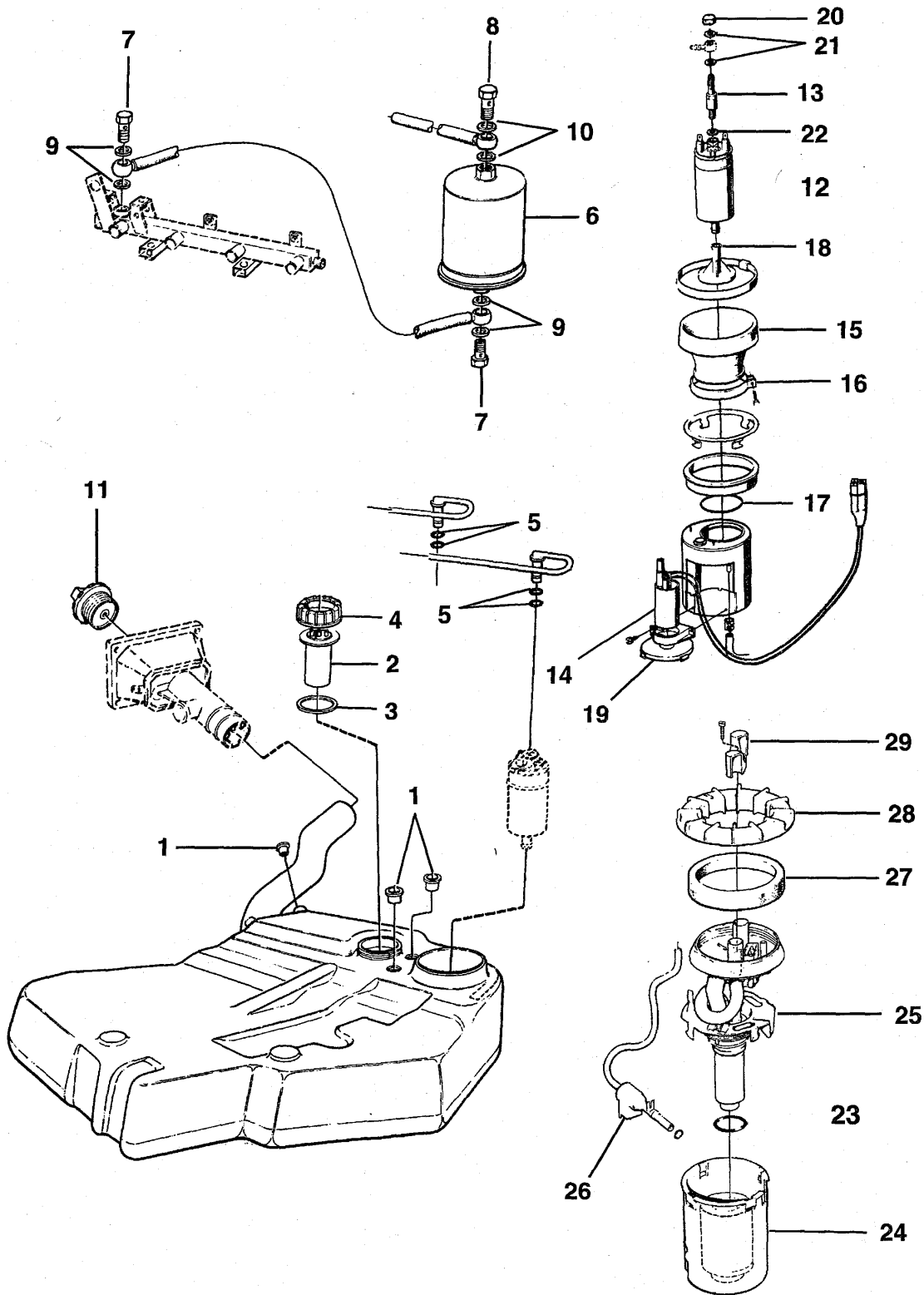
| KEY | DESCRIPTION | PART NUMBER | QTY. | NOTES |
|-----|----------------------------|-------------|------|---------------------------|
| 1 | Air Cleaner Housing, Upper | 93 82 524 | 1 | Turbo Manual Trans. >1987 |
| 2 | Air Cleaner Housing, Lower | 93 85 147 | 1 | Turbo Manual Trans. >1987 |
| 3 | Air Cleaner Element | 93 81 971 | 1 | Turbo Manual Trans. >1987 |
| 4 | Clamp | 93 75 601 | 2 | Turbo Manual Trans. >1987 |
| 5 | Clamp | 93 77 920 | 6 | Turbo Manual Trans. >1987 |
| 6 | Cap, Air Cleaner Housing | 93 91 608 | 1 | Turbo Manual Trans. 1988> |
| 7 | Air Cleaner Housing | 93 91 616 | 1 | Turbo Manual Trans. 1988> |
| 8 | Air Cleaner Housing | 93 90 170 | 1 | Turbo Manual Trans. 1988> |
| 9 | Filter Cartridge | 93 90 907 | 1 | Turbo Manual Trans. 1988> |
| 6 | Cap, Air Cleaner Housing | 93 91 608 | 1 | Turbo Auto. Trans. |
| 7 | Air Cleaner Housing, Outer | 93 91 616 | 1 | Turbo Auto. Trans. |
| 8 | Air Cleaner Housing, Inner | 93 90 170 | 1 | Turbo Auto. Trans. |
| 9 | Filter Cartridge | 93 90 907 | 1 | Turbo Auto. Trans |
| 10 | Air Cleaner Housing, Upper | 93 88 992 | 1 | Fuel Injection >1988 |
| 11 | Air Cleaner Housing, Lower | 93 85 147 | 1 | Fuel Injection >1988 |
| 12 | Air Cleaner Element | 93 81 971 | 1 | Fuel Injection >1988 |
| 13 | Clamp | 93 77 920 | 6 | Fuel Injection >1988 |
| 14 | Hose Clamp | 79 70 148 | 2 | Fuel Injection >1988 |
| 15 | Hose Clamp | 79 70 155 | 2 | Fuel Injection >1988 |
| 16 | Cap, Air Cleanser Housing | 89 76 706 | 1 | Fuel Injection 1989> |
| 17 | Air Cleaner Housing, Outer | 93 91 616 | 1 | Fuel Injection 1989> |
| 18 | Air Cleaner Housing, Inner | 93 90 170 | 1 | Fuel Injection 1989> |
| 19 | Filter Cartridge | 93 90 907 | 1 | Fuel Injection 1989> |
| 20 | Hose Clamp | 79 70 155 | 3 | Fuel Injection 1989> |
| 21 | Hose Clamp | 79 70 148 | 1 | Fuel Injection 1989> |



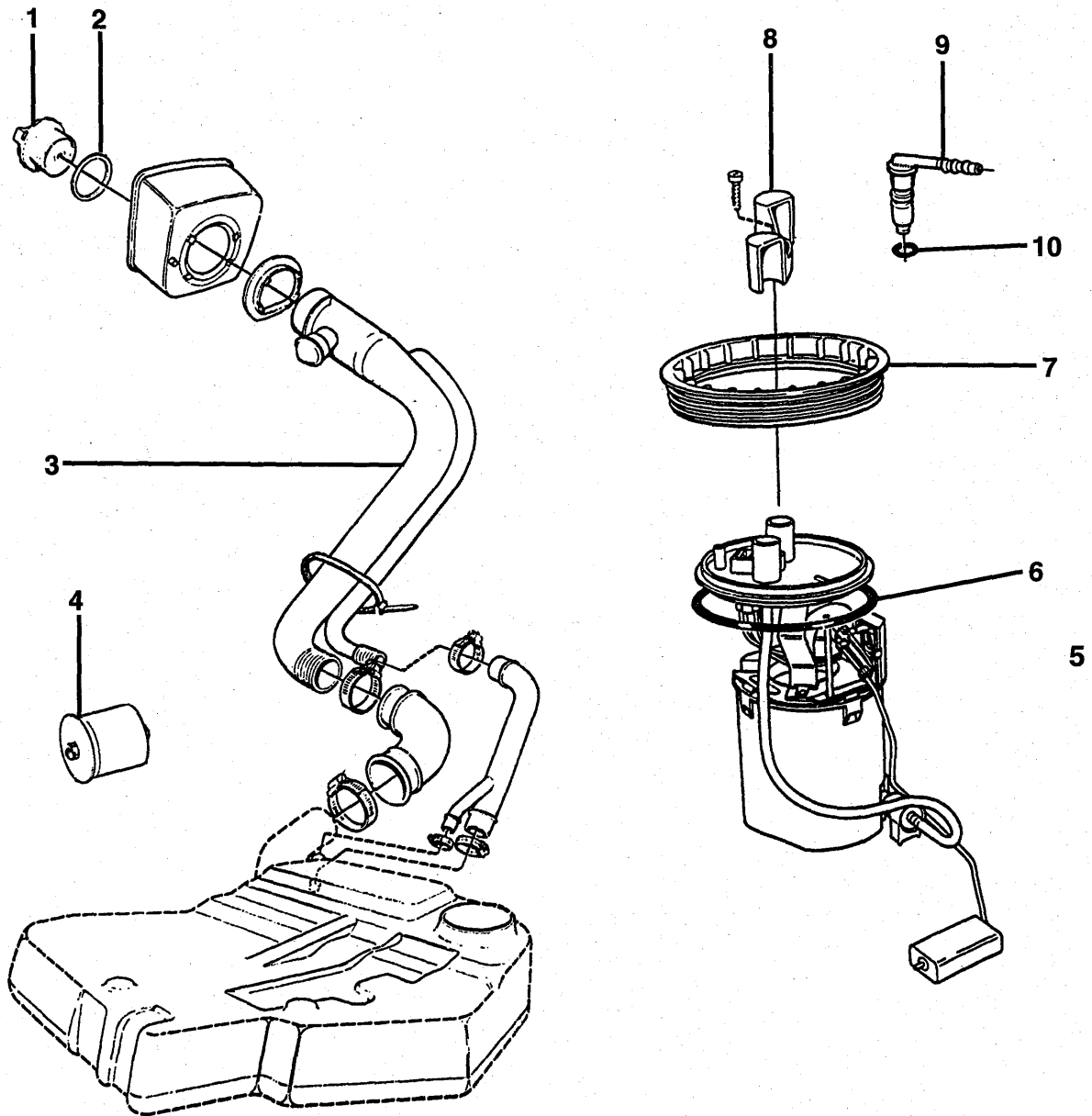
| KEY | DESCRIPTION | PART NUMBER | QTY. | NOTES |
|-----|--------------------------|-------------|------|-----------------------|
| 1 | Cap, Air Cleaner Housing | 40 20 806 | 1 | Turbo >1992 |
| 1 | Cap, Air Cleaner Housing | 40 16 861 | 1 | Turbo 1993> |
| 2 | O-Ring | 40 23 834 | 1 | Included With Housing |
| 3 | Air Cleaner Housing | 93 91 616 | 1 | Turbo |
| 4 | Air Cleaner Housing | 93 90 170 | 1 | Turbo |
| 5 | Filter Cartridge | 93 90 907 | 1 | Turbo |
| 6 | Pipe | 93 90 915 | 1 | Turbo >1990 |
| 6 | Pipe | 89 76 813 | 1 | Turbo 1991> |
| 7 | Air Cleaner Housing | 93 90 170 | 1 | Fuel Injection |
| 8 | Air Cleaner Housing | 93 91 616 | 1 | Fuel Injection |
| 9 | Filter Cartridge | 93 90 907 | 1 | Fuel Injection |
| 10 | Pipe | 89 78 488 | 1 | Fuel Injection |
| 11 | Cap, Air Cleaner Housing | 40 16 861 | 1 | Fuel Injection |
| 12 | Hose | 40 15 947 | 1 | Fuel Injection |
| 13 | Clamp | 79 70 155 | 6 | Fuel Injection |
| 14 | Muffler | 41 58 234 | 1 | Fuel Injection |
| 15 | Hose | 40 15 962 | 1 | Fuel Injection >1993 |
| 15 | Hose | 43 90 308 | 1 | Fuel Injection 1994> |



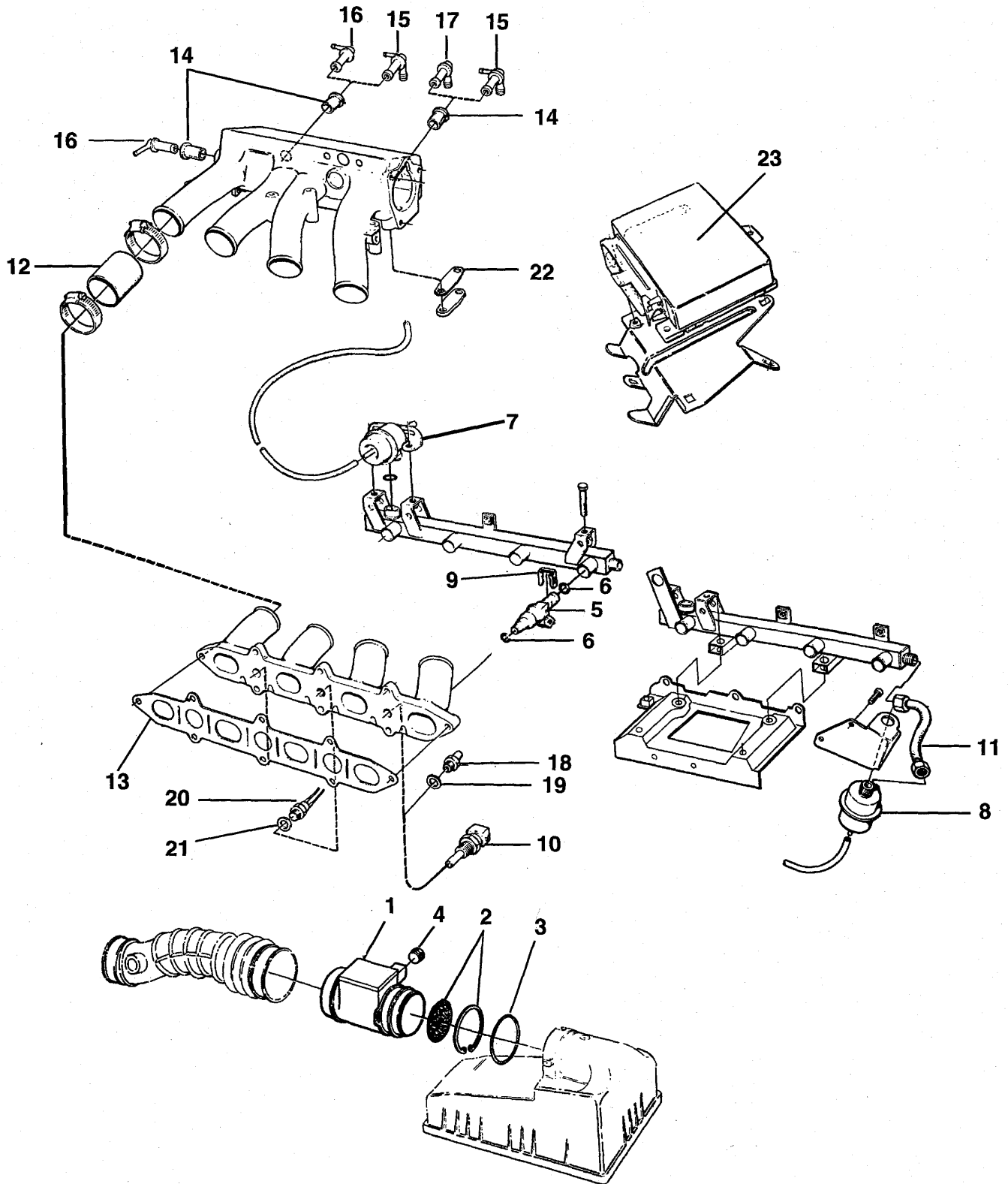
| KEY | DESCRIPTION | PART NUMBER | QTY. | NOTES |
|-----|--------------------------|-------------|------|-----------------------|
| 1 | Air Cleaner Housing | 93 91 616 | 1 | |
| 2 | Air Cleaner Housing | 93 90 170 | 1 | |
| 3 | Screw | 79 78 091 | 3 | |
| 4 | Pipe | 89 76 813 | 1 | |
| 5 | Filter Cartridge | 93 90 907 | 1 | |
| 6 | Cap, Air Cleaner Housing | 41 64 877 | 1 | |
| 7 | Muffler | 41 64 919 | 1 | |
| 8 | O-Ring | 44 42 307 | 2 | Included With Muffler |
| 9 | Clamp | 41 64 885 | 1 | Included With Muffler |
| 10 | Clamp | 79 70 189 | 1 | Included With Muffler |
| 11 | Clamp | 79 70 155 | 1 | |
| 12 | Air Temperature Sensor | 42 39 067 | 1 | >1995 |
| 12 | Air Temperature Sensor | 46 60 593 | 1 | 1996> |
| 13 | Rubber Bushing | 44 40 574 | 1 | |
| 14 | Mass Air Flow Sensor | 43 00 562 | 1 | >1995 |
| 14 | Mass Air Flow Sensor | 46 61 070 | 1 | 1996 |
| 14 | Mass Air Flow Sensor | 47 80 193 | 1 | 1997> |



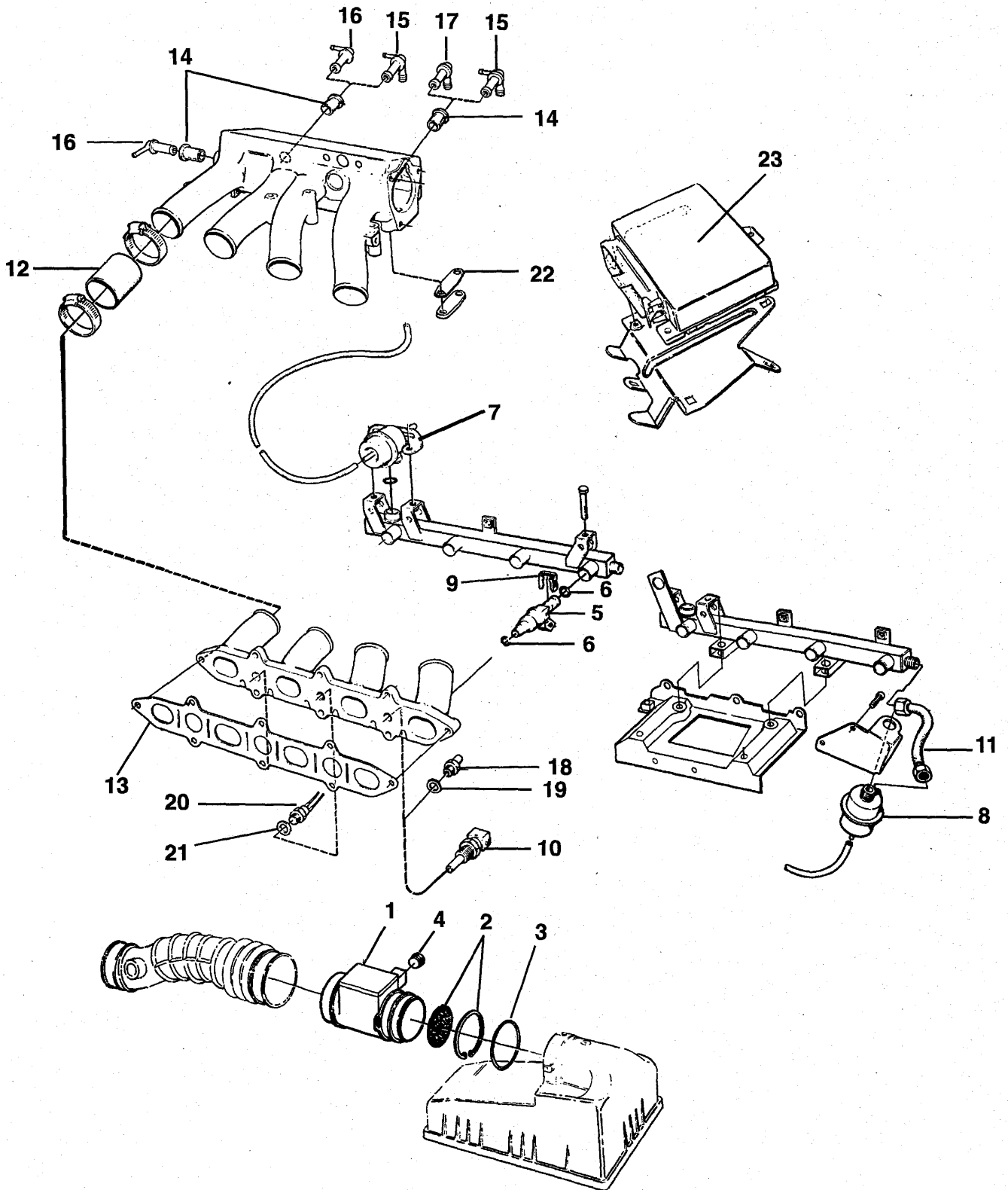
| KEY | DESCRIPTION | PART NUMBER | QTY. | NOTES |
|-----|-----------------------------|-------------|------|-------------------|
| 1 | Bushing | 93 24 021 | 3 | |
| 2 | Fuel Level Transmitter | 93 90 832 | 1 | |
| 3 | Gasket | 93 68 846 | 1 | VIN >G1003173 |
| 3 | Gasket | 93 92 689 | 1 | VIN G1003174> |
| 4 | Lock Ring | 93 93 950 | 1 | |
| 5 | O-Ring | 79 74 546 | 2 | |
| 6 | Fuel Filter | 41 63 853 | 1 | |
| 7 | Banjo Bolt | 43 74 203 | 2 | |
| 8 | Banjo Bolt | 43 74 211 | 1 | |
| 9 | Gasket | 44 43 883 | 2 | |
| 10 | Gasket | 41 61 162 | 2 | |
| 11 | Filler Cap Assembly | 43 97 048 | 1 | |
| 12 | Fuel Pump Assembly | 93 92 911 | 1 | >1986 |
| 12 | Fuel Pump Assembly | 93 93 935 | 1 | 1987> |
| 13 | No-Return Valve | 88 17 553 | 1 | Part of 93 92 911 |
| 13 | No-Return Valve | 93 37 510 | 1 | Part of 93 93 935 |
| 14 | Feed Pump | 75 26 163 | 1 | |
| 15 | Seal Collar | 93 67 756 | 1 | |
| 16 | Clamp | 93 67 731 | 1 | |
| 17 | O-Ring | 93 83 522 | 1 | |
| 18 | Strainer | 93 83 969 | 1 | |
| 19 | Strainer | 93 86 491 | 1 | |
| 20 | Cap Nut | 93 61 668 | 1 | |
| 21 | Gasket | 44 43 883 | 2 | |
| 22 | Gasket | 93 37 528 | 1 | |
| 23 | Fuel Pump Assembly (Walbro) | 41 61 493 | 1 | |
| 24 | Container | 89 80 021 | 1 | |
| 25 | Fuel Pump | 41 61 493 | 1 | |
| 26 | Ejector Assembly | 89 80 047 | 1 | |
| 27 | Seal | 93 94 529 | 1 | |
| 28 | Lock Ring | 93 94 503 | 1 | |
| 29 | Holder | 93 94 628 | 1 | |



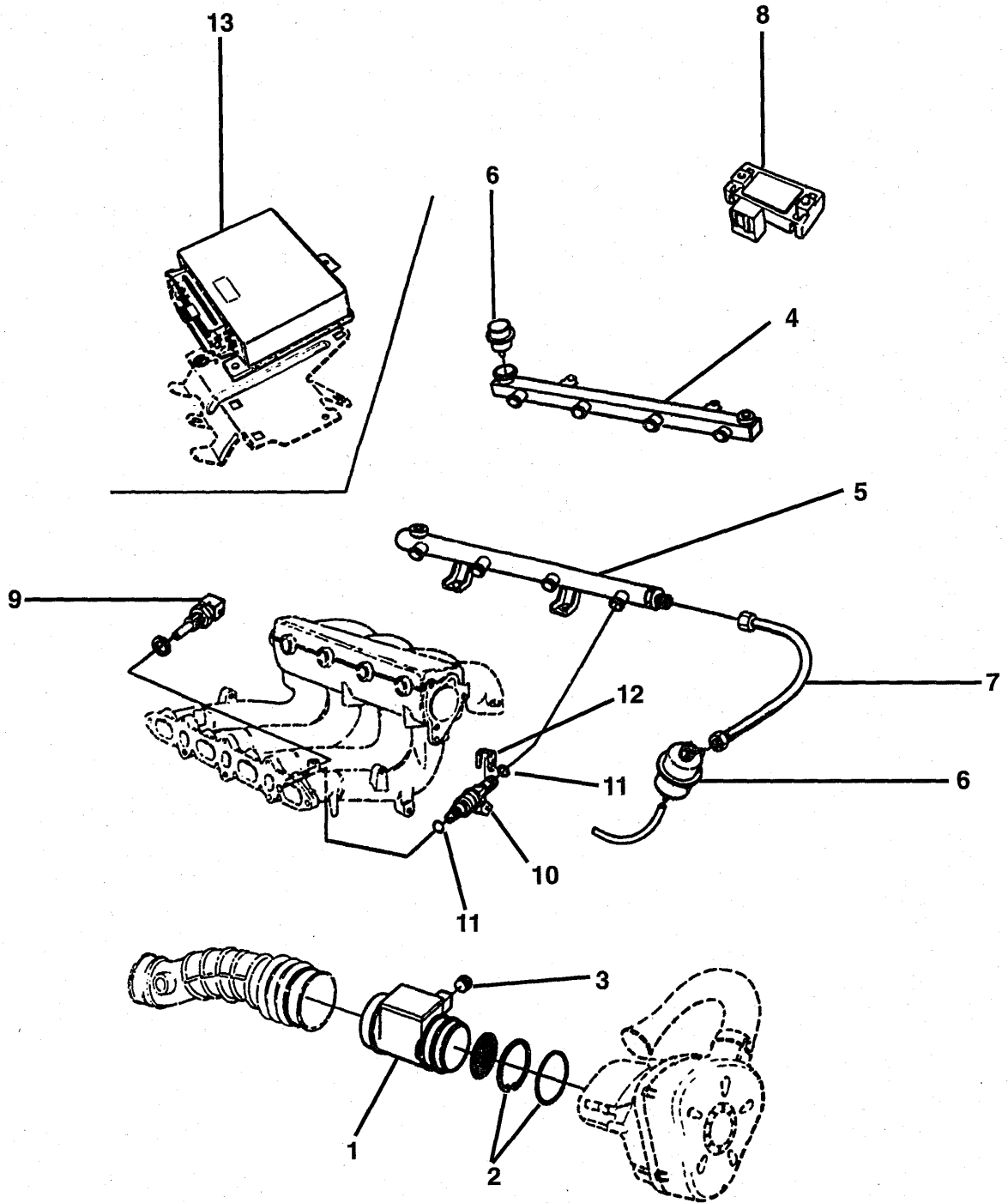
| KEY | DESCRIPTION | PART NUMBER | QTY. | NOTES |
|-----|--------------------|-------------|------|--|
| 1 | Filler Cap | 43 97 048 | 1 | |
| 2 | Gasket | 75 11 751 | 1 | Included With Cap |
| 3 | Filler Pipe | 40 19 519 | 1 | 1990 >1991 |
| 3 | Filler Pipe | 40 20 996 | 1 | 1992> |
| 4 | Fuel Filter | 41 63 853 | 1 | |
| 5 | Fuel Pump Assembly | 93 21 621 | 1 | >1991 |
| 6 | Seal | 41 60 511 | 1 | |
| 7 | Cover | 41 56 550 | 1 | |
| 8 | Holder | 93 94 628 | 1 | |
| 9 | Check Valve | 41 61 766 | 1 | VIN L1020824>, L2014948> Included With Pump |
| 10 | O-Ring | 79 74 546 | 1 | VIN L1020824>, L2014948> Included With Pump |
| 5 | Fuel Pump | 93 21 712 | 1 | 1992 |
| 5 | Fuel Pump | 93 21 878 | 1 | 1993> |
| 6 | Seal | 41 60 511 | 1 | Included With Pump |
| 7 | Cover | 41 56 550 | 1 | Included With Pump |
| 8 | Holder | 93 94 628 | 1 | VIN >P1013267 |
| 8 | Holder | 43 92 957 | 1 | VIN P1013268> |
| 9 | Check Valve | 41 61 766 | 1 | |
| 10 | O-Ring | 79 74 546 | 1 | |



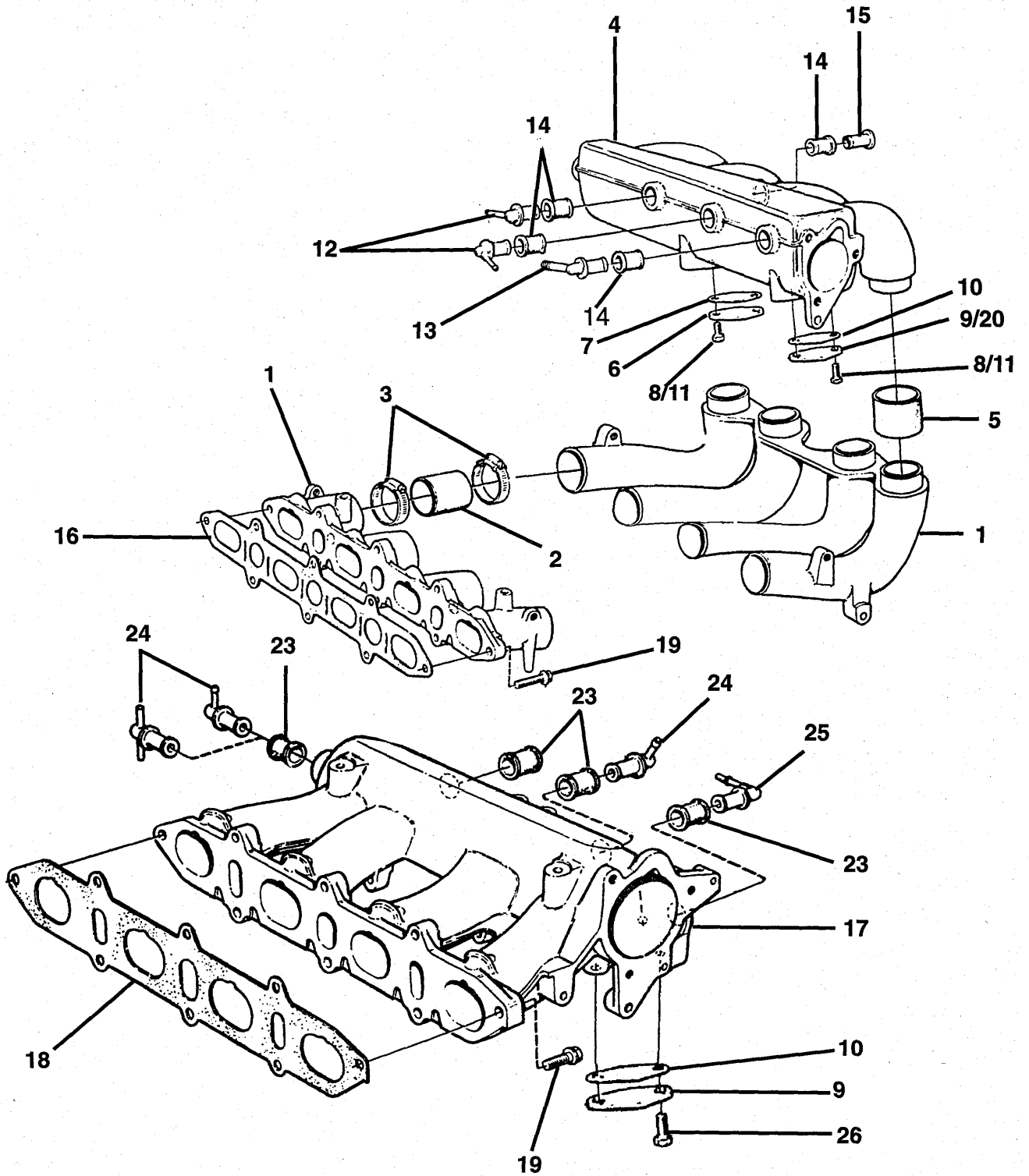
| KEY | DESCRIPTION | PART NUMBER | QTY. | NOTES |
|-----|--------------------|-------------|------|---|
| 1 | Air Mass Meter | 88 18 296 | 1 | Turbo >1988 Bosch 0 280 212 005 |
| 1 | Air Mass Meter | 88 23 221 | 1 | Turbo 1989>90 Bosch 0 280 212 013 |
| 1 | Air Mass Meter | 88 18 304 | | Fuel Injection >1987 Bosch 0 280 212 009 |
| 1 | Air Mass Meter | 88 17 975 | 1 | Fuel Injection 1988-90 Bosch 0 280 212 011 |
| 2 | Service Kit | 75 35 446 | 1 | >1989 |
| 3 | O-Ring | 79 74 306 | 1 | |
| 4 | Plug | 93 83 076 | 1 | Fuel Injection |
| 5 | Injection Valve | 75 60 170 | 4 | Turbo |
| 5 | Injection Valve | 75 60 162 | 4 | Fuel Injection |
| 6 | O-Ring | 75 61 210 | 1 | Included With Injector |
| 7 | Pressure Regulator | 75 84 071 | 1 | Turbo 1986-87 |
| 7 | Pressure Regulator | 75 84 063 | 1 | Fuel Injection >1987 |
| 8 | Pressure Regulator | 75 64 131 | 1 | Turbo 1988 |
| 8 | Pressure Regulator | 74 86 905 | 1 | Turbo 1989> |
| 8 | Pressure Regulator | 75 64 123 | 1 | Fuel Injection 1988 |
| 8 | Pressure Regulator | 74 86 921 | 1 | Fuel Injection 1989> |
| 9 | Clamp | 93 56 486 | 4 | |
| 10 | Temperature Sensor | 93 57 021 | 1 | |
| 10 | Temperature Sensor | 75 63 562 | 1 | Turbo Auto. Trans. >1989 |
| 11 | Hose | 75 88 429 | 1 | 1988 |
| 11 | Hose | 74 86 954 | 1 | 1989> |
| 12 | Hose | 75 66 748 | 4 | |
| 13 | Gasket | 75 84 436 | 1 | |
| 14 | Bushing | 75 15 208 | 3 | |
| 15 | Nipple | 93 12 802 | 1 | |
| 16 | Nipple | 83 59 937 | 2 | |
| 17 | Nipple | 83 57 543 | 1 | |
| 18 | Nipple | 78 88 098 | 1 | Eng. >H000268 |
| 18 | Nipple | 75 67 449 | 1 | Eng. H000269> 1987 |
| 18 | Nipple | 74 86 806 | 1 | 1988> |
| 19 | Gasket | 81 24 141 | 2 | >1989 |
| 19 | Gasket | 41 61 162 | 2 | 1990> |
| 20 | Thermo Contact | 75 19 416 | 1 | >1989 |



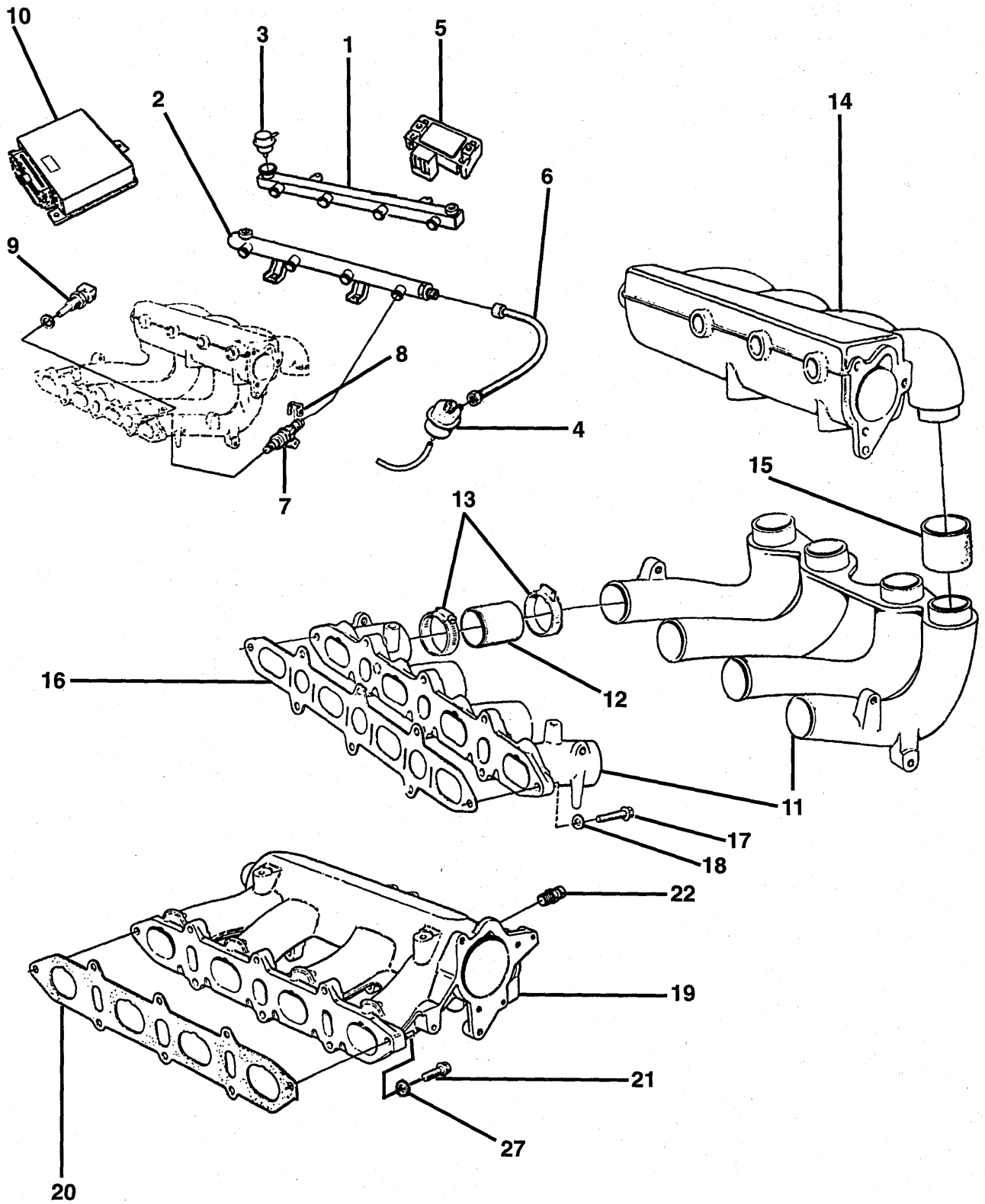
| KEY | DESCRIPTION | PART NUMBER | QTY. | NOTES |
|-----|---------------------------------------|-------------|------|--|
| 21 | Gasket | 81 24 141 | 1 | Eng. >K058587 |
| 21 | Gasket | 41 61 162 | 1 | Eng. K058588> |
| 22 | Gasket | 75 07 973 | 1 | >1989 |
| 23 | Electronic Control Unit, LH Injection | 88 26 208 | 1 | Turbo Manual Trans. >1987 Bosch 0 280 000 531 |
| 23 | Electronic Control Unit, LH Injection | 88 26 216 | 1 | Turbo Auto. Trans. >1987 Bosch 0 280 000 539 |
| 23 | Electronic Control Unit, LH Injection | 88 26 216 | 1 | Turbo 1988 Bosch 0 280 000 539 |
| 23 | Electronic Control Unit, LH Injection | 88 26 224 | 1 | Turbo 1989 Bosch 0 280 000 566 |
| 23 | Electronic Control Unit, LH Injection | 88 26 265 | 1 | Fuel Injection 1987 Bosch 0 280 000 532 |
| 23 | Electronic Control Unit, LH Injection | 88 26 273 | 1 | Fuel Injection 1988 Bosch 0 280 000 552 |
| 23 | Electronic Control Unit, LH Injection | 88 26 281 | 1 | Fuel Injection 1989 Bosch 0 280 000 565 |
| 23 | Electronic Control Unit, LH Injection | 88 26 232 | 1 | Turbo 1990 Federal |
| 23 | Electronic Control Unit, LH Injection | 88 26 257 | 1 | Turbo 1990 Cali. |
| 23 | Electronic Control Unit, LH Injection | 88 26 299 | 1 | Fuel Injection 1990 Federal |
| 23 | Electronic Control Unit, LH Injection | 88 26 307 | 1 | Fuel Injection 1990 Cali. |



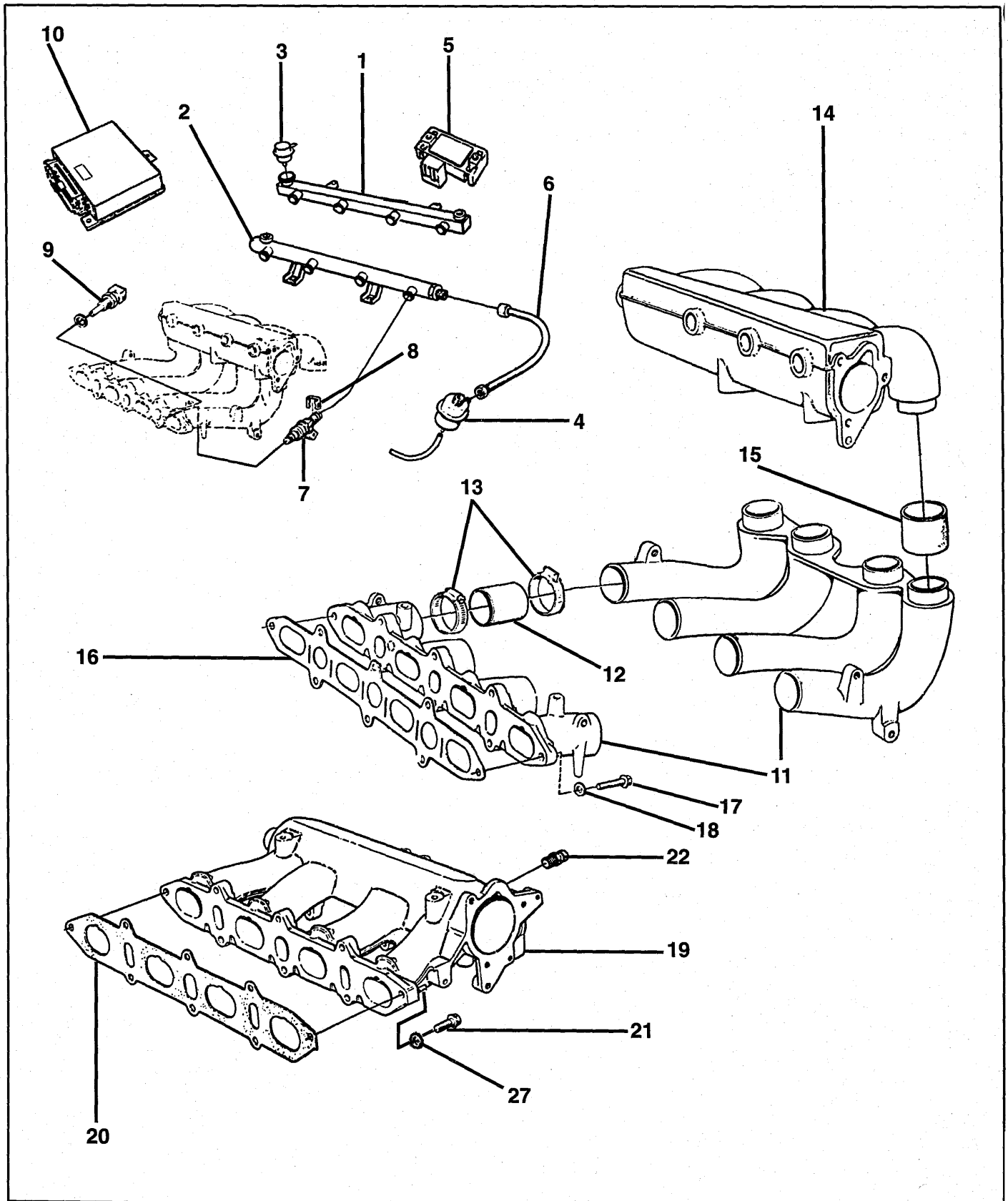
| KEY | DESCRIPTION | PART NUMBER | QTY. | NOTES |
|-----|---------------------------------------|-------------|------|------------------------------|
| 1 | Mass Air Flow Sensor | 88 27 479 | 1 | Turbo |
| 1 | Mass Air Flow Sensor | 88 26 778 | 1 | Fuel Injection |
| 2 | O-Ring | 79 74 306 | 1 | Fuel Injection |
| 3 | Plug | 93 83 076 | 1 | Fuel Injection |
| 4 | Fuel Rail | 91 37 035 | 1 | Turbo |
| 5 | Fuel Rail | 87 88 473 | 1 | Fuel Injection |
| 6 | Pressure Regulator | 91 31 061 | 1 | Turbo |
| 6 | Pressure Regulator | 74 86 921 | 1 | Fuel Injection |
| 7 | Fuel Tube | 74 86 954 | 1 | |
| 8 | Pressure Sensor | 91 32 374 | 1 | Trionic |
| 9 | Temperature Sensor | 93 57 021 | 1 | >1993 |
| 9 | Temperature Sensor | 91 37 803 | 1 | 1994> |
| 9 | Sensor | 87 88 200 | 1 | Cars With TCS |
| 10 | Fuel Injector | 88 57 153 | 4 | Turbo >1992 |
| 10 | Fuel Injector | 91 35 120 | 4 | Turbo 1993 |
| 10 | Fuel Injector | 91 42 449 | 4 | Turbo 1994> |
| 10 | Fuel Injector | 91 13 721 | 4 | Fuel Injection >1993 |
| 10 | Fuel Injector | 91 42 423 | 4 | Fuel Injection 1994> |
| 11 | O-Ring | 75 61 210 | 9 | >1993 Included With Injector |
| 12 | Clamp | 93 56 486 | 4 | |
| 13 | Electronic Control Unit, LH Injection | 88 27 412 | 1 | Turbo |
| 13 | Electronic Control Unit, LH Injection | 88 27 438 | 1 | Turbo With TCS |
| 13 | Electronic Control Unit, LH Injection | 88 26 315 | 1 | Fuel Injection 1990 |
| 13 | Electronic Control Unit, LH Injection | 88 27 370 | 1 | Fuel Injection 1991-92 |
| 13 | Electronic Control Unit, LH Injection | 88 28 410 | 1 | Fuel Injection 1993 |
| 13 | Electronic Control Unit, Trionic | 88 28 170 | 1 | >1993, TCS, ASR |
| 13 | Electronic Control Unit, Trionic | 88 28 196 | 1 | >1993, B234R, TCS |
| 13 | Electronic Control Unit, Trionic | 88 28 527 | 1 | >1993, B234R |
| 13 | Electronic Control Unit, Trionic | 88 28 550 | 1 | 1994>, B234I |
| 13 | Electronic Control Unit, Trionic | 43 01 313 | 1 | 1994>, B234I, SAI |
| 13 | Electronic Control Unit, Trionic | 88 28 584 | 1 | 1994>, B234L |
| 13 | Electronic Control Unit, Trionic | 88 28 733 | 1 | 1994>, B234R |
| 13 | Electronic Control Unit, Trionic | 88 28 600 | 1 | 1994>, B234R, TCS |



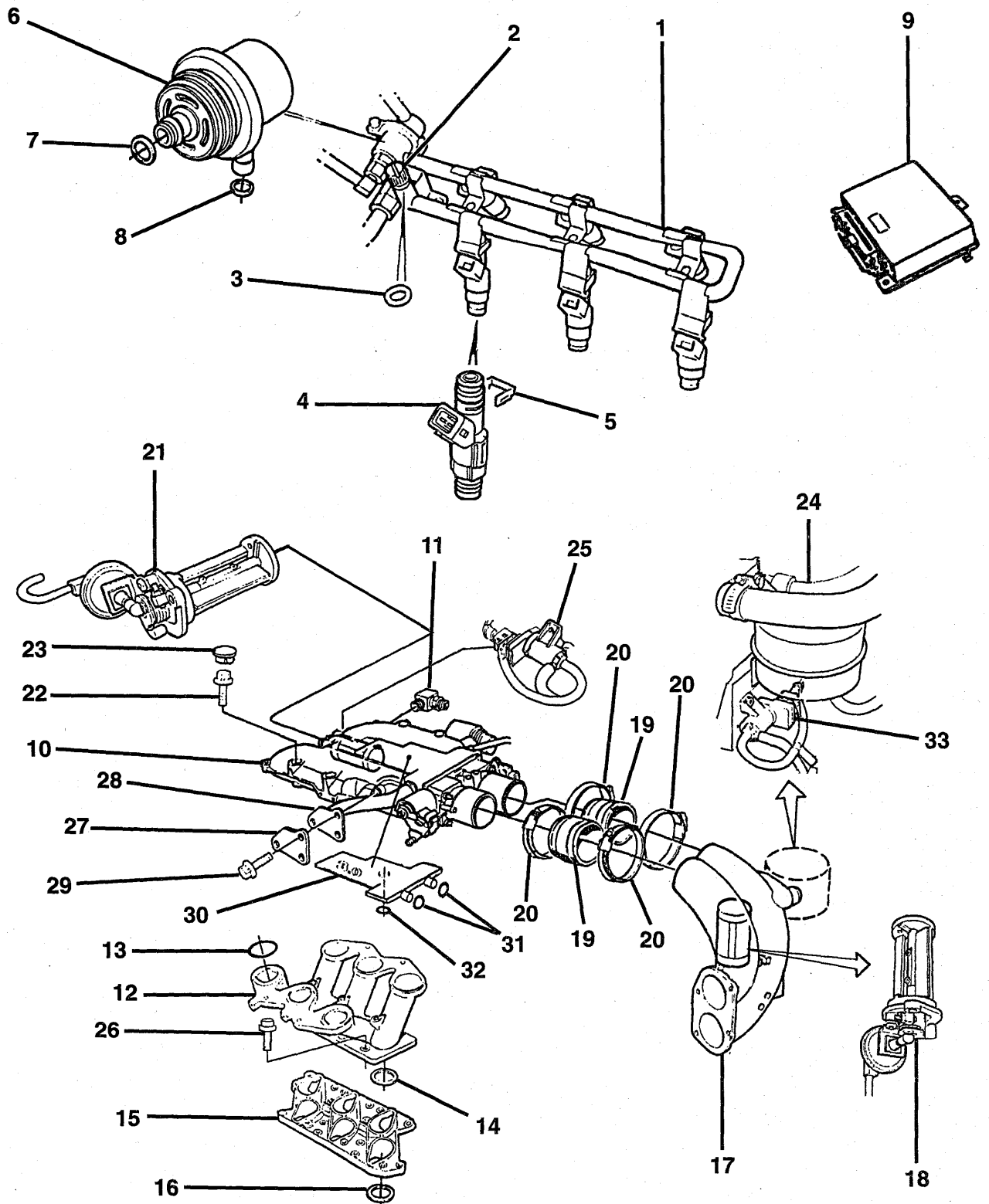
| KEY | DESCRIPTION | PART NUMBER | QTY. | NOTES |
|-----|------------------------|-------------|------|---|
| 1 | Intake Manifold, Lower | 91 33 885 | 1 | Fuel Injection Includes Items 2 & 3 |
| 2 | Hose | 87 89 588 | 4 | Fuel Injection >1991 Included With Manifold |
| 2 | Hose | 91 34 727 | 4 | Fuel Injection 1992> Included With Manifold |
| 3 | Clamp | 44 41 689 | 8 | Fuel Injection Included With Manifold |
| 4 | Intake Manifold, Upper | 87 89 489 | 1 | Fuel Injection |
| 5 | Hose | 91 34 735 | 4 | Fuel Injection |
| 6 | Flange | 75 86 860 | 1 | Fuel Injection |
| 7 | Gasket | 75 86 878 | 1 | Fuel Injection |
| 8 | Screw | 80 19 887 | 2 | Fuel Injection >1990 |
| 8 | Screw | 81 25 015 | 2 | Fuel Injection 1991> |
| 9 | Flange | 93 58 177 | 1 | |
| 10 | Gasket | 75 07 973 | 1 | |
| 11 | Screw | 80 19 887 | 2 | Fuel Injection >1990 |
| 11 | Screw | 81 25 015 | 2 | Fuel Injection 1991> |
| 12 | Nipple | 83 59 937 | 2 | Fuel Injection |
| 13 | Nipple | 83 57 543 | 1 | Fuel Injection |
| 14 | Bushing | 75 15 208 | 4 | Fuel Injection |
| 15 | Plug | 91 14 000 | 1 | Fuel Injection |
| 16 | Gasket | 91 26 277 | 1 | Fuel Injection |
| 17 | Intake Manifold | 91 09 869 | 1 | Turbo >1991 |
| 17 | Intake Manifold | 91 34 438 | 1 | Turbo 1992 |
| 17 | Intake Manifold | 91 46 689 | 1 | Turbo 1993 |
| 18 | Gasket | 91 26 277 | 1 | Turbo |
| 19 | Screw | 81 25 197 | 8 | |
| 20 | Flange | 93 58 177 | 1 | Turbo |
| 21 | Gasket | 75 07 973 | 1 | Turbo |
| 22 | Screw | 79 71 294 | 2 | Turbo |
| 23 | Bushing | 75 15 208 | 4 | Turbo >1992 |
| 23 | Plug | 81 32 045 | 3 | Turbo 1993> |
| 24 | Nipple | 91 16 088 | 3 | Turbo >1992 |
| 24 | Nipple | 83 59 937 | 2 | Turbo >1992 |
| 24 | Nipple | 43 46 508 | 1 | Turbo 1993 |
| 25 | Nipple | 91 07 699 | 1 | Turbo >1992 |
| 26 | Screw | 81 25 007 | 2 | Turbo |



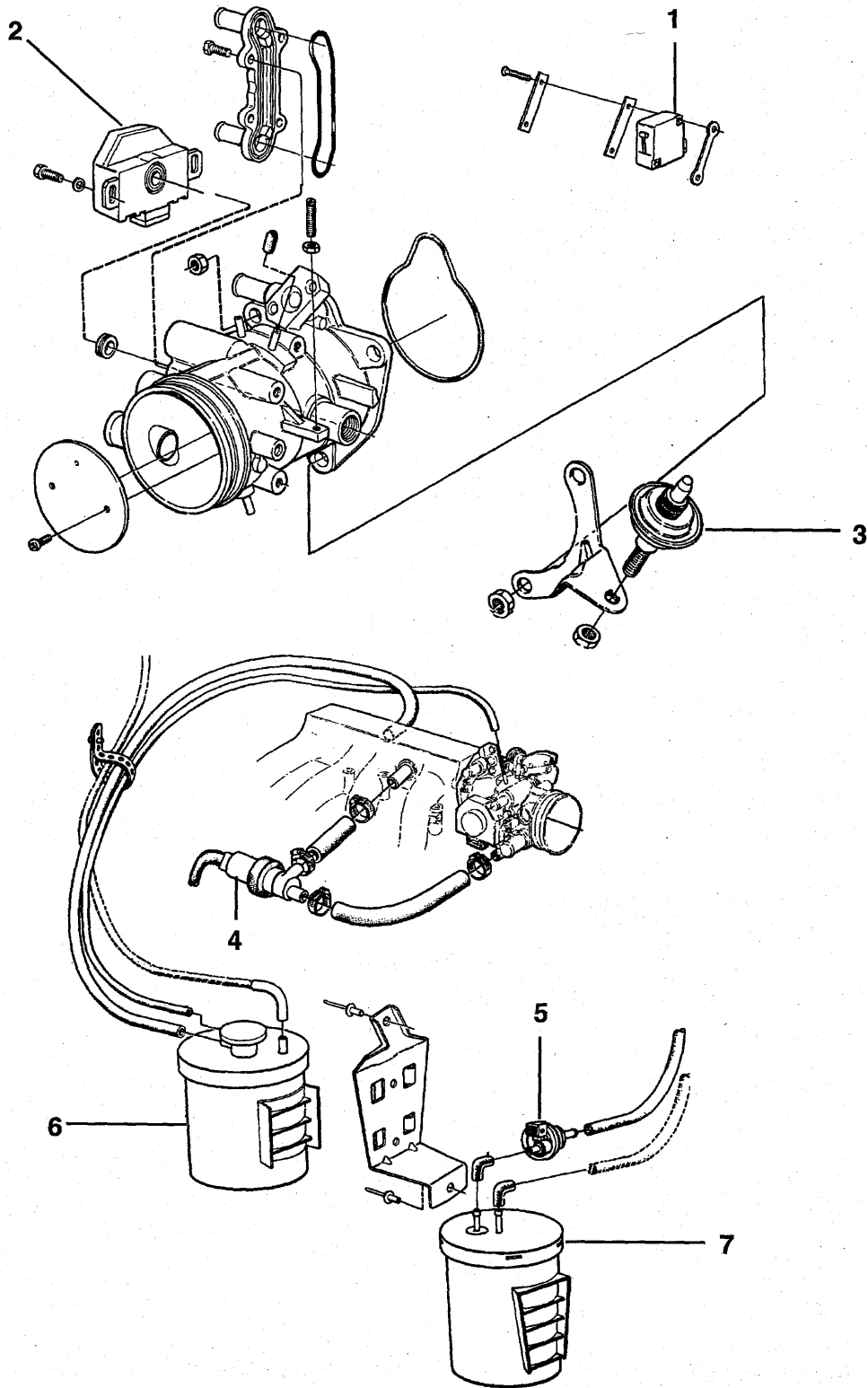
| KEY | DESCRIPTION | PART NUMBER | QTY. | NOTES |
|-----|----------------------------------|-------------|------|---------------------------------------|
| 1 | Fuel Rail | 91 37 035 | 1 | Turbo |
| 2 | Fuel Rail | 87 88 473 | 1 | Fuel Injection |
| 3 | Pressure Regulator | 91 31 061 | 1 | Turbo |
| 4 | Pressure Regulator | 74 86 921 | 1 | Fuel Injection |
| 5 | Pressure Sensor | 91 32 374 | | |
| 6 | Fuel Tube | 74 86 954 | 1 | |
| 7 | Fuel Injector | 91 42 449 | 4 | Turbo |
| 7 | Fuel Injector | 91 42 423 | 4 | Fuel Injection |
| 8 | Clamp | 93 56 486 | 4 | |
| 9 | Temperature Sensor | 91 37 803 | 1 | >1995 |
| 9 | Temperature Sensor | 91 77 213 | 1 | 1996> |
| 9 | Sensor | 87 88 200 | 1 | >1995, TCS |
| 10 | Electronic Control Unit, Trionic | 88 28 550 | 1 | 1994, B234I |
| 10 | Electronic Control Unit, Trionic | 43 01 313 | 1 | 1994, B234I, SAI |
| 10 | Electronic Control Unit, Trionic | 88 28 584 | 1 | 1994, B234L |
| 10 | Electronic Control Unit, Trionic | 88 28 733 | 1 | 1994, B234R |
| 10 | Electronic Control Unit, Trionic | 88 28 600 | 1 | 1994, B234R, TCS |
| 10 | Electronic Control Unit, Trionic | 46 10 085 | 1 | 1995, B234E |
| 10 | Electronic Control Unit, Trionic | 46 10 093 | 1 | 1995, B234L |
| 10 | Electronic Control Unit, Trionic | 46 10 796 | 1 | 1995, B234R |
| 10 | Electronic Control Unit, Trionic | 46 10 101 | 1 | 1995, B234R, TCS |
| 10 | Electronic Control Unit, Trionic | 88 28 543 | 1 | 1996, B234E |
| 10 | Electronic Control Unit, Trionic | 88 28 592 | 1 | 1996, B234L |
| 10 | Electronic Control Unit, Trionic | 88 28 618 | 1 | 1996, B234R |
| 10 | Electronic Control Unit, Trionic | 46 11 356 | 1 | 1997>, B234E |
| 10 | Electronic Control Unit, Trionic | 46 11 364 | 1 | 1997>, B234L |
| 10 | Electronic Control Unit, Trionic | 46 11 372 | 1 | 1997> B234R |
| 11 | Intake Manifold, Lower | 91 44 171 | 1 | Fuel Injection |
| 12 | Hose | 91 34 727 | 4 | Fuel Injection Included With Manifold |
| 13 | Clamp | 44 41 689 | 8 | Fuel Injection Included With Manifold |
| 14 | Intake Manifold, Upper | 91 67 560 | 1 | Fuel Injection |
| 15 | Hose | 91 34 735 | 1 | Fuel Injection |
| 16 | Gasket | 91 38 884 | 1 | Fuel Injection |
| 17 | Screw | 79 70 015 | 1 | Fuel Injection 1994 |
| 17 | Screw | 40 87 805 | 1 | Fuel Injection 1995> |
| 18 | Washer | 91 66 372 | 1 | Fuel Injection 1995> |



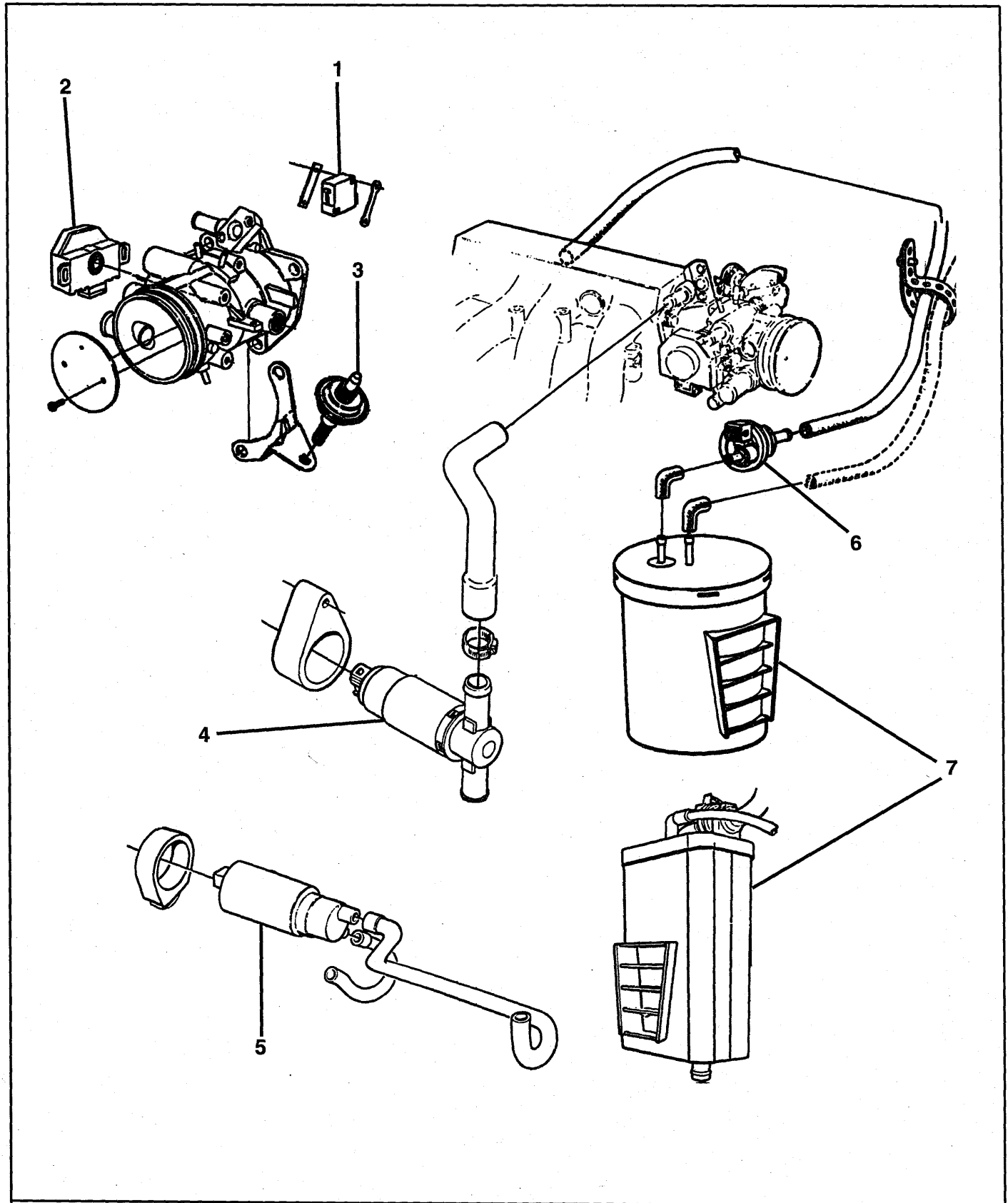
| KEY | DESCRIPTION | PART NUMBER | QTY. | NOTES |
|-----|-----------------|-------------|------|---------------------|
| 19 | Intake Manifold | 91 47 802 | 1 | Turbo Eng. >T007131 |
| 19 | Intake Manifold | 91 77 148 | 1 | Turbo Eng. T007132> |
| 20 | Gasket | 91 38 884 | 1 | Turbo Eng. >T007131 |
| 20 | Gasket | 91 38 884 | 1 | Turbo Eng. T007132> |
| 21 | Screw | 79 70 015 | 8 | Turbo Eng. >T007131 |
| 21 | Screw | 40 87 805 | 8 | Turbo Eng. T007132> |
| 22 | Nipple | 43 46 508 | 1 | Turbo Eng. >T007131 |
| 22 | Nipple | 43 46 508 | 1 | Turbo Eng. T007132> |
| 27 | Washer | 91 66 372 | 8 | Turbo Eng. T007132> |



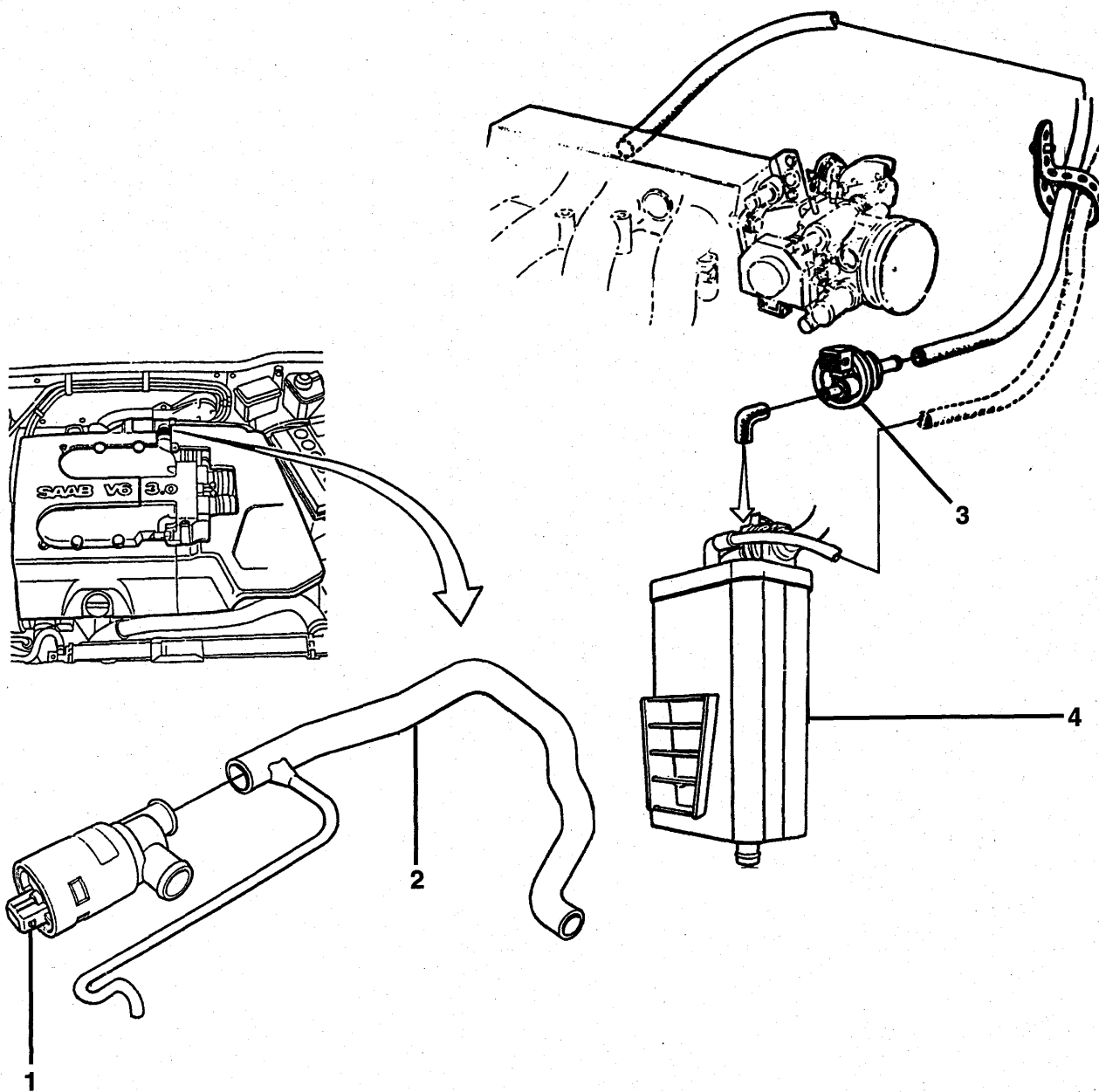
| KEY | DESCRIPTION | PART NUMBER | QTY. | NOTES |
|-----|-----------------------------------|-------------|------|------------------------|
| 1 | Fuel Rail | 46 21 108 | 1 | |
| 2 | Valve | 45 03 744 | 1 | Included With Rail |
| 3 | Washer | 45 03 751 | 1 | Included With Rail |
| 4 | Fuel Injector | 47 70 392 | 6 | |
| 5 | Clamp | 45 03 785 | 6 | |
| 6 | Fuel Pressure Regulator | 47 70 400 | 1 | |
| 7 | Washer | 47 70 434 | 1 | |
| 8 | Washer | 47 70 442 | 1 | |
| 9 | Electronic Control Unit, Motronic | 46 10 010 | 1 | >1995 |
| 9 | Electronic Control Unit, Motronic | 46 10 788 | 1 | 1996> |
| 10 | Intake Manifold, Upper | 44 42 190 | 1 | |
| 11 | Nipple | 43 46 508 | 1 | Included With Manifold |
| 12 | Intake Manifold, Lower | 46 21 124 | 1 | |
| 13 | O-Ring | 46 21 256 | 6 | |
| 14 | Gasket | 47 70 418 | 1 | |
| 15 | Flange | 46 21 272 | 1 | |
| 16 | O-Ring | 47 70 426 | 1 | |
| 17 | Pipe | 41 64 935 | 1 | |
| 18 | Shutter | 44 40 939 | 1 | |
| 19 | Hose | 43 91 314 | 2 | |
| 20 | Hose Clamp | 43 47 019 | 4 | |
| 21 | Flap | 46 20 530 | 1 | |
| 22 | Screw | 43 47 340 | 4 | |
| 23 | Cover | 46 21 264 | 4 | |
| 24 | Vacuum Box | 43 74 245 | 1 | |
| 25 | Vacuum Valve | 43 94 078 | 2 | |
| 26 | Screw | 43 47 282 | 12 | |
| 27 | Cover Plate | 45 25 580 | 1 | |
| 28 | Gasket | 46 21 231 | 1 | |
| 29 | Screw | 79 78 091 | 3 | |
| 30 | Adapter | 45 25 952 | 1 | |
| 31 | O-Ring | 46 21 215 | 2 | Included With Adapter |
| 32 | Seal | 46 21 199 | 1 | Included With Adapter |
| 33 | Vacuum Valve | 43 94 078 | 1 | |



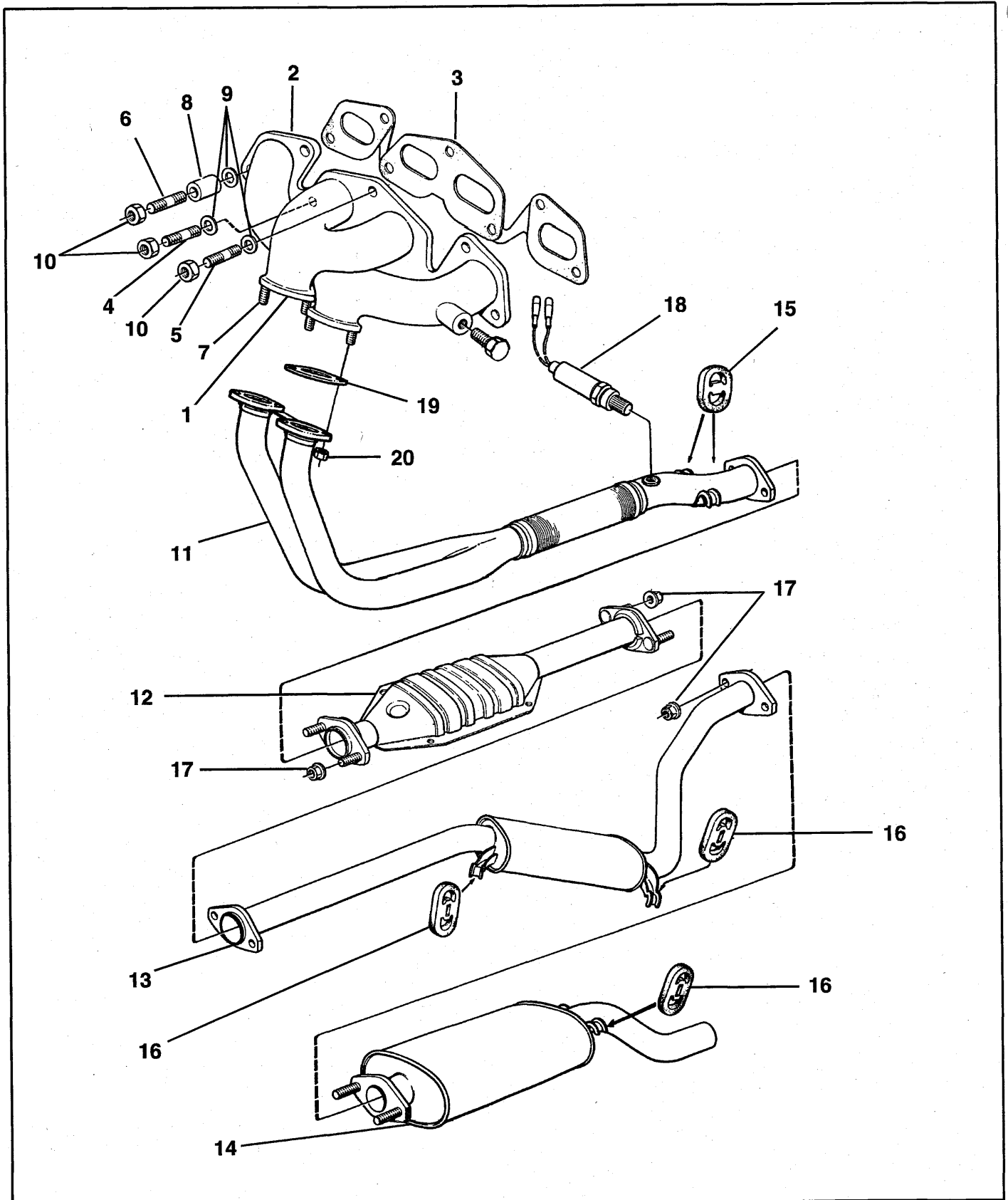
| KEY | DESCRIPTION | PART NUMBER | QTY. | NOTES |
|-----|--------------------------|-------------|------|---------------------|
| 1 | Microswitch | 75 88 270 | 1 | |
| 2 | Throttle Switch | 75 01 612 | 1 | >1990 |
| 2 | Throttle Switch | 88 57 195 | 1 | 1991> |
| 3 | Damper | 93 14 501 | 1 | |
| 4 | Control Valve | 75 16 792 | 1 | 1987 - 88 Turbo |
| 4 | Control Valve | 75 86 019 | 1 | 1988> |
| 5 | Valve | 75 39 257 | 1 | Fuel Injection 1988 |
| 5 | Valve | 75 39 257 | 1 | 1989> |
| 6 | Charcoal Filter Assembly | 75 32 054 | 1 | 1987 - 88 Turbo |
| 7 | Charcoal Filter Assembly | 75 39 216 | 1 | 1988> |



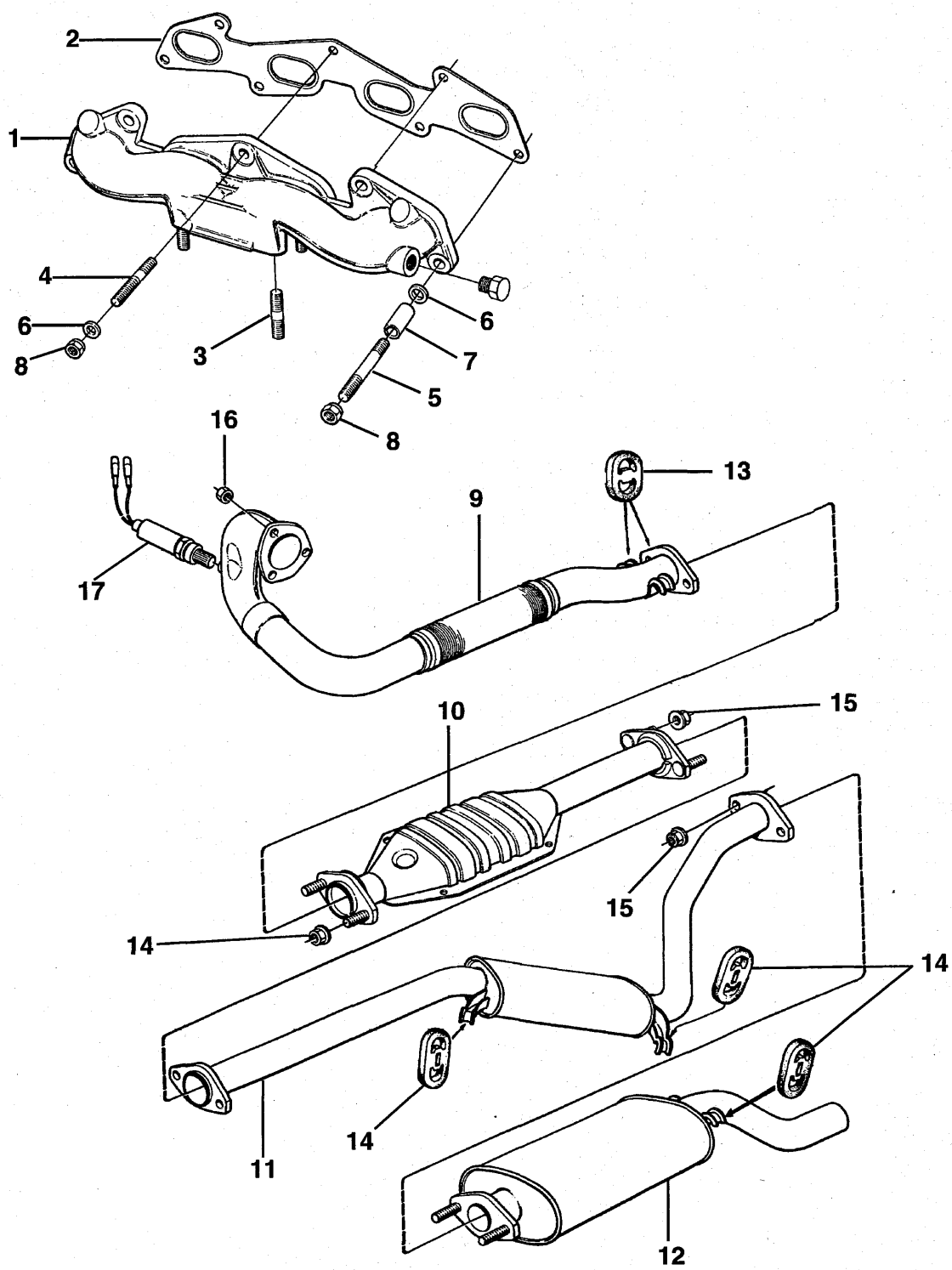
| KEY | DESCRIPTION | PART NUMBER | QTY. | NOTES |
|-----|------------------------|-------------|------|------------------------|
| 1 | Microswitch | 75 88 270 | 1 | Turbo >1993 |
| 2 | Throttle Switch | 88 57 195 | 1 | |
| 3 | Damper | 93 14 501 | 1 | |
| 4 | Control Valve | 75 86 019 | 1 | Fuel Injection 1990 |
| 4 | Control Valve | 88 57 179 | 1 | Fuel Injection 1991-93 |
| 4 | Control Valve | 75 86 019 | 1 | Fuel Injection 1994> |
| 5 | Control Valve | 87 87 996 | 1 | Turbo >1992 |
| 5 | Control Valve | 91 27 200 | 1 | Turbo 1993> |
| 6 | Tank Ventilation Valve | 75 39 257 | 1 | >1995 |
| 6 | Tank Ventilation Valve | 44 42 471 | 1 | 1996> |
| 7 | Charcoal Canister | 75 39 216 | 1 | >1991 |
| 7 | Charcoal Canister | 41 61 451 | 1 | 1992-95 |
| 7 | Charcoal Canister | 43 93 500 | 1 | 1996> |



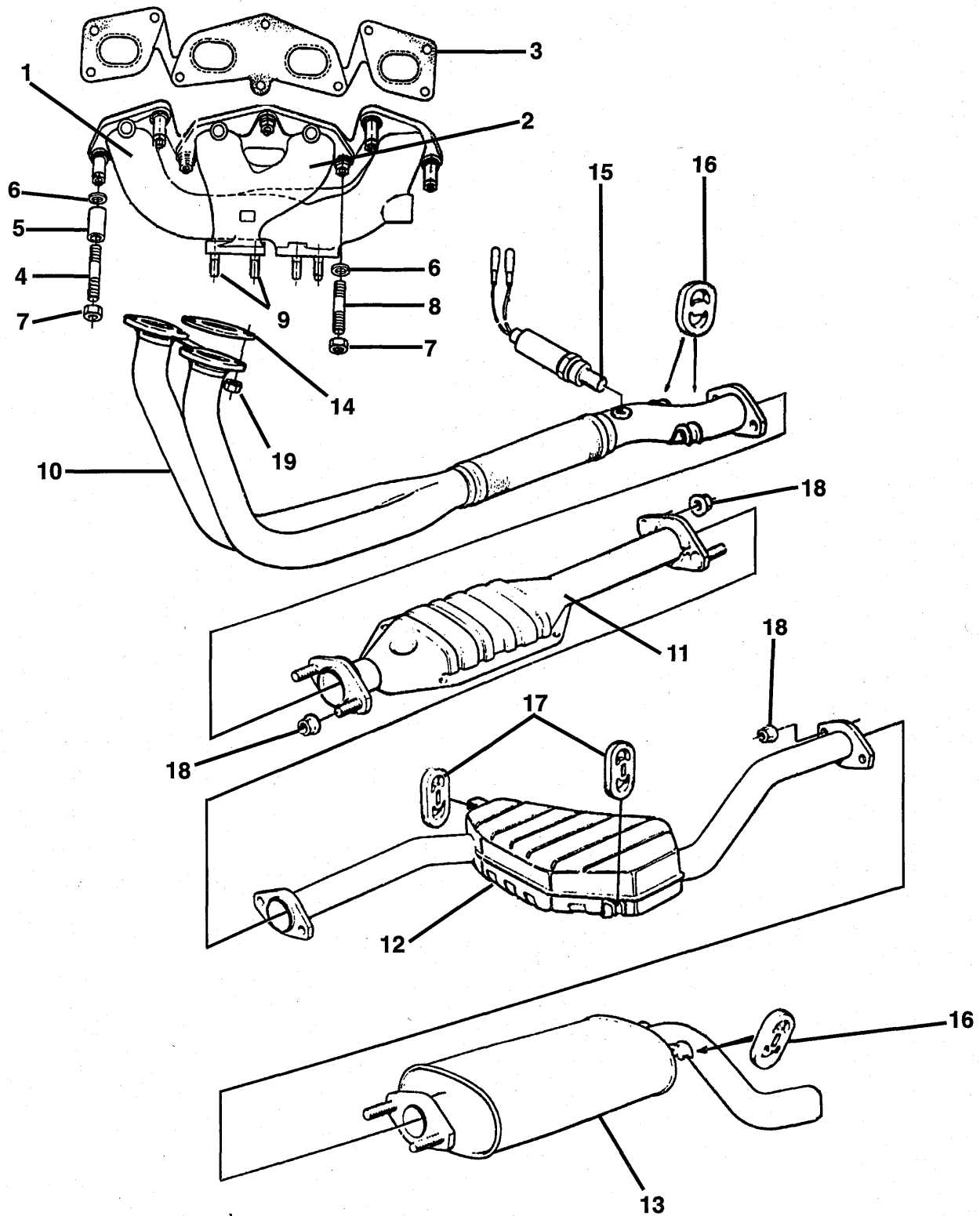
| KEY | DESCRIPTION | PART NUMBER | QTY. | NOTES |
|-----|------------------------|-------------|------|-------|
| 1 | Control Valve | 45 03 363 | 1 | 1995 |
| 1 | Control Valve | 75 86 019 | 1 | 1996> |
| 2 | Hose | 46 60 460 | 1 | |
| 3 | Tank Ventilation Valve | 44 42 489 | 1 | |
| 4 | Charcoal Canister | 43 93 500 | 1 | |



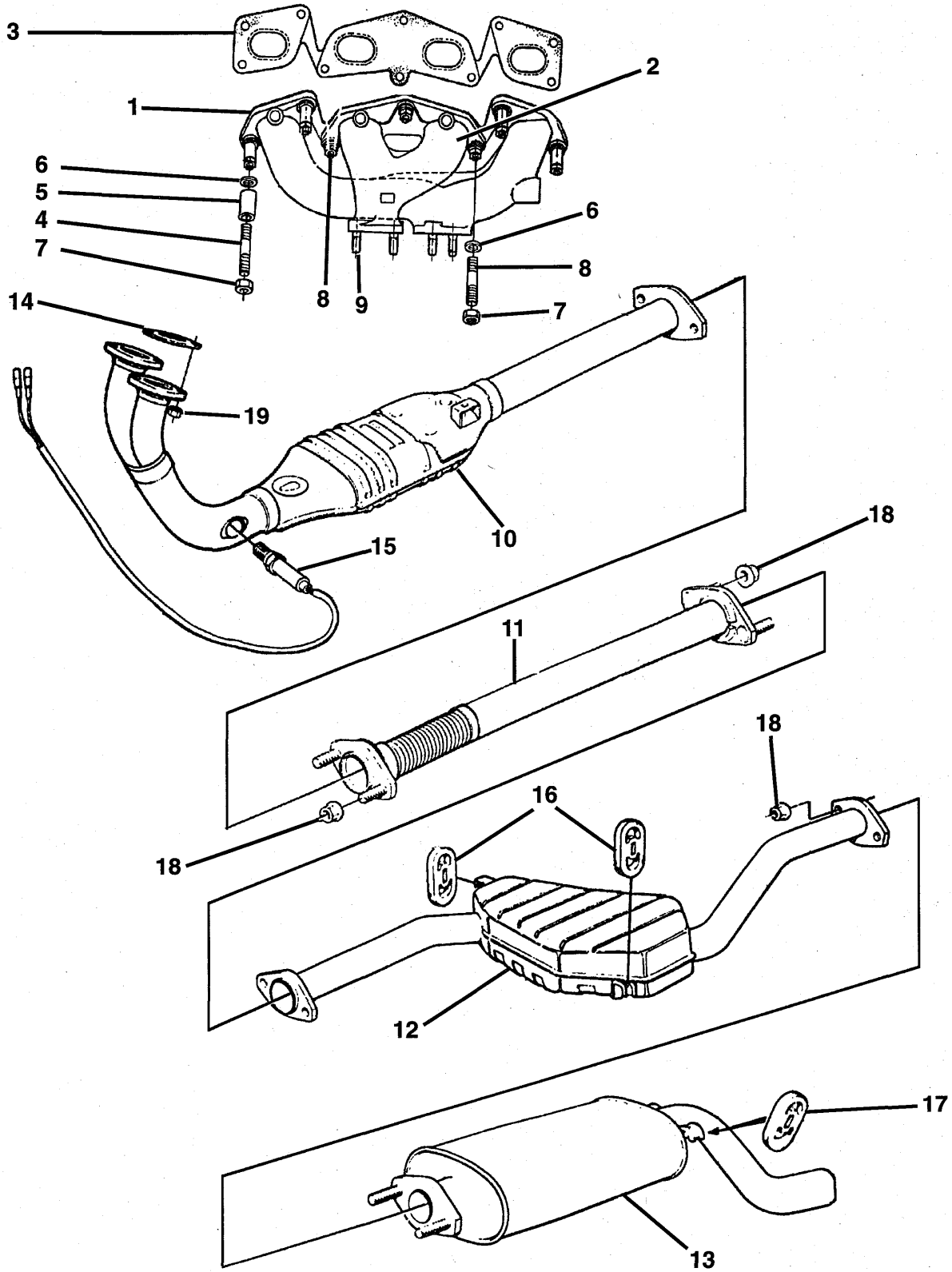
| KEY | DESCRIPTION | PART NUMBER | QTY. | NOTES |
|-----|-------------------------|-------------|------|----------|
| 1 | Exhaust Manifold, Outer | 75 62 515 | 1 | |
| 2 | Exhaust Manifold, Inner | 75 83 784 | 1 | |
| 3 | Gasket | 75 18 996 | 1 | |
| 4 | Screw | 79 85 146 | 2 | |
| 5 | Screw | 75 21 081 | 1 | >1989 |
| 5 | Screw | 79 85 146 | 1 | 1990> |
| 6 | Stud | 79 85 161 | 4 | |
| 7 | Stud | 83 60 943 | 4 | |
| 8 | Sleeve | 93 06 812 | 4 | |
| 9 | Washer | 80 73 249 | 7 | |
| 10 | Nut | 91 69 277 | 7 | |
| 11 | Exhaust Pipe, Front | 93 93 455 | 1 | |
| 12 | Catalytic Converter | 47 50 030 | 1 | |
| 13 | Muffler, Center | 88 22 215 | 1 | >1988 |
| 13 | Muffler, Center | 88 22 249 | 1 | 1989> |
| 14 | Muffler, Rear | 88 22 256 | 1 | >1988 |
| 14 | Muffler, Rear | 88 22 231 | 1 | 1989> |
| 14 | Muffler, Rear | 89 79 155 | 1 | 1989> 4D |
| 15 | Rubber Suspension | 93 92 465 | 2 | |
| 16 | Rubber Suspension | 93 28 105 | 4 | |
| 17 | Nut | 79 67 953 | 6 | |
| 18 | Lambda Sensor | 75 25 603 | 1 | >1989 |
| 18 | Lambda Sensor | 93 92 762 | 1 | |
| 19 | Gasket | 46 24 383 | 2 | |
| 20 | Nut | 79 79 503 | 4 | |



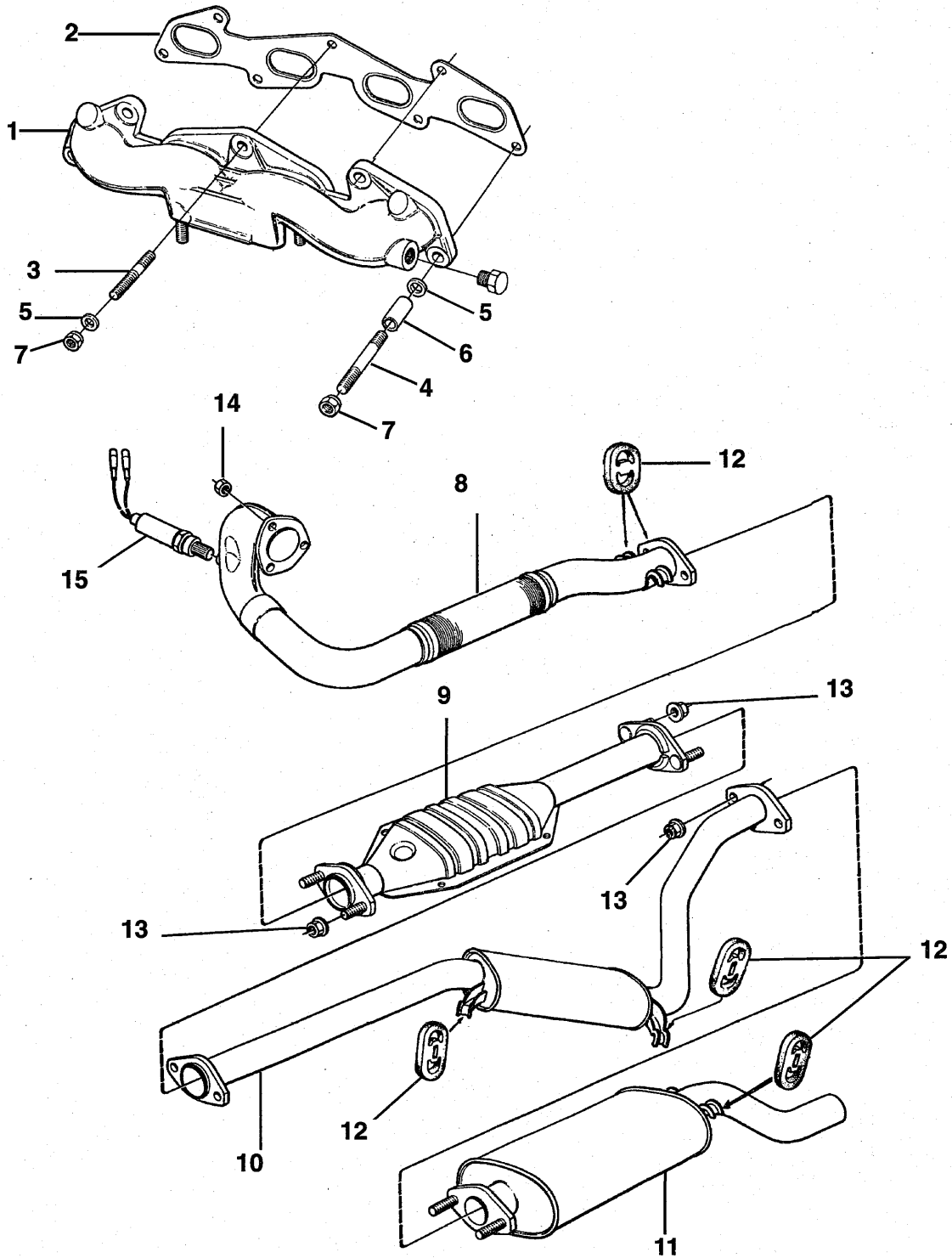
| KEY | DESCRIPTION | PART NUMBER | QTY. | NOTES |
|-----|---------------------|-------------|------|------------|
| 1 | Exhaust Manifold | 75 21 073 | 1 | >1989 |
| 1 | Exhaust Manifold | 91 19 645 | 1 | 1990> |
| 2 | Gasket | 75 18 996 | 1 | |
| 3 | Stud | 93 59 084 | 4 | >1989 |
| 4 | Stud | 79 85 146 | 3 | |
| 5 | Stud | 79 85 161 | 4 | |
| 6 | Washer | 80 73 249 | 7 | |
| 7 | Spacer Sleeve | 93 06 812 | 4 | |
| 8 | Nut | 91 69 277 | 7 | |
| 9 | Exhaust Pipe, Front | 93 90 600 | 1 | >1989 |
| 9 | Exhaust Pipe, Front | 89 82 688 | 1 | 1990> |
| 10 | Catalytic Converter | 47 50 030 | 1 | |
| 11 | Muffler, Center | 88 22 314 | 1 | >1988 |
| 11 | Muffler, Center | 88 22 249 | 1 | 1989> |
| 12 | Muffler, Rear | 88 22 207 | 1 | >1988 |
| 12 | Muffler, Rear | 88 22 223 | 1 | 5D 1989-90 |
| 12 | Muffler, Rear | 88 22 264 | 1 | 5D 1991> |
| 12 | Muffler, Rear | 89 79 163 | 1 | 4D 1989> |
| 13 | Rubber Suspension | 93 92 465 | 4 | |
| 14 | Rubber Suspension | 93 28 105 | 4 | >1991 |
| 14 | Rubber Suspension | 93 92 465 | 2 | 1992> |
| 15 | Nut | 79 67 953 | 8 | |
| 16 | Nut | 75 19 432 | 3 | |
| 17 | Lambda Sensor | 93 92 762 | 1 | >1991 |
| 17 | Lambda Sensor | 91 32 564 | 1 | 1992> |



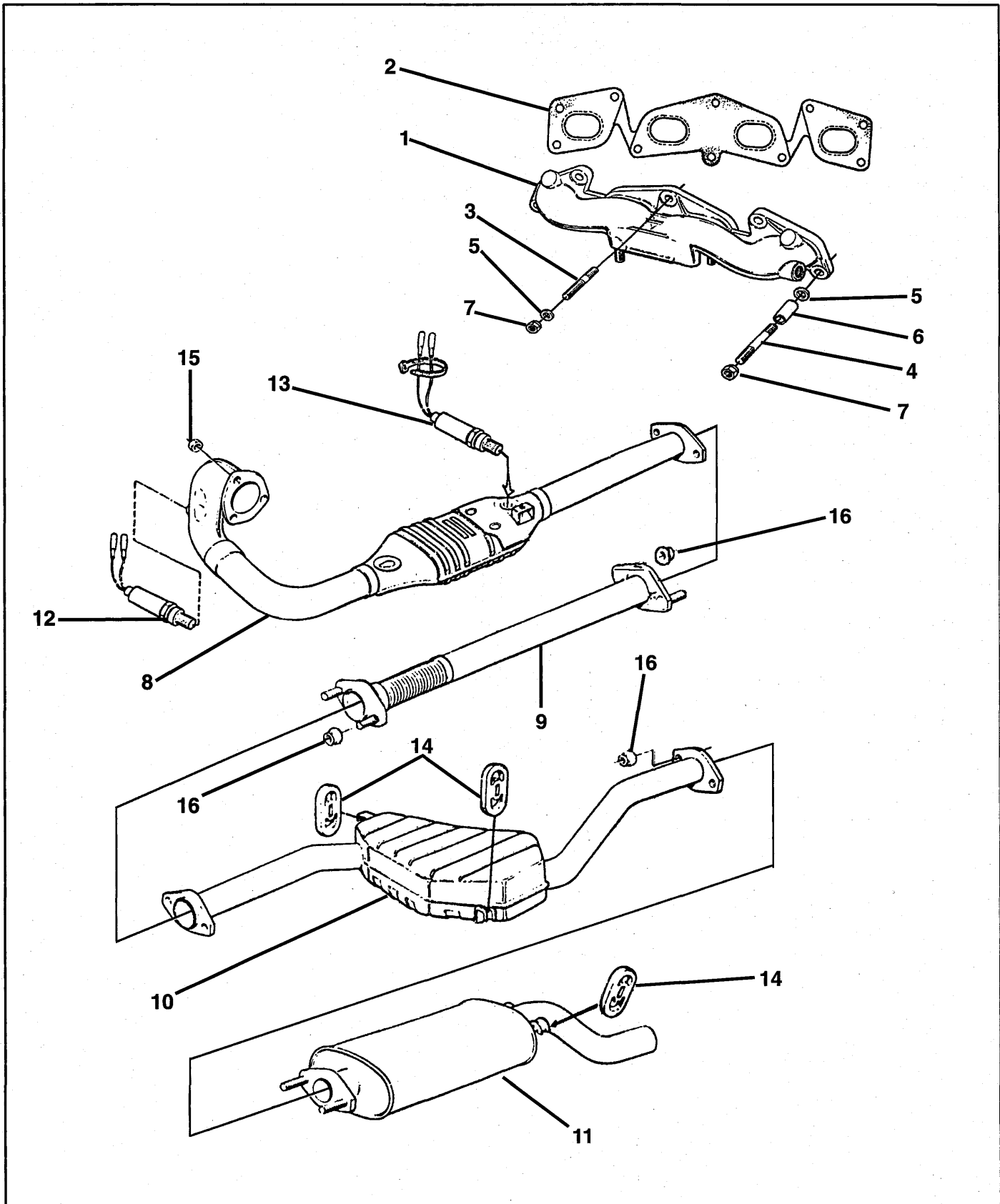
| KEY | DESCRIPTION | PART NUMBER | QTY. | NOTES |
|-----|-------------------------|-------------|------|-----------------|
| 1 | Exhaust Manifold, Inner | 91 19 678 | 1 | 1990 |
| 1 | Exhaust Manifold, Inner | 91 18 027 | 1 | 1991-92 |
| 1 | Exhaust Manifold, Inner | 91 77 106 | 1 | 1994> |
| 2 | Exhaust Manifold, Outer | 91 18 019 | 1 | >1992 |
| 2 | Exhaust Manifold, Outer | 91 77 098 | 1 | 1994> |
| 3 | Gasket | 75 18 996 | 1 | >1992 |
| 3 | Gasket | 81 24 133 | 1 | 1994> |
| 4 | Stud | 79 85 161 | 4 | |
| 5 | Sleeve | 93 06 812 | 4 | |
| 6 | Washer | 80 73 249 | 7 | >1992 |
| 6 | Washer | 91 66 398 | 7 | 1994> |
| 7 | Nut | 91 69 277 | 7 | 1994> |
| 8 | Stud | 79 85 146 | 4 | |
| 9 | Stud | 83 60 943 | 4 | |
| 10 | Exhaust Pipe, Front | 40 19 535 | 1 | >1992 |
| 10 | Exhaust Pipe, Front | 44 42 166 | 1 | 1994> |
| 11 | Catalytic Converter | 47 50 030 | 1 | |
| 12 | Muffler, Center | 88 22 249 | 1 | >1991 |
| 12 | Muffler, Center | 43 91 421 | 1 | 1992 & 1994> |
| 13 | Muffler, Rear | 88 22 231 | 1 | 5D |
| 13 | Muffler, Rear | 89 79 155 | 1 | 4D >1991 & 1994 |
| 13 | Muffler, Rear | 45 25 382 | 1 | 4D 1995> |
| 13 | Muffler, Rear | 41 62 061 | 1 | 5CS |
| 14 | Gasket | 46 24 383 | 2 | >1992 & 1994> |
| 15 | Lambda Sensor | 93 92 762 | 1 | >1991 |
| 15 | Lambda Sensor | 91 32 564 | 1 | 1992 |
| 15 | Lambda Sensor | 91 46 945 | 1 | 1994> |
| 16 | Rubber Suspension | 93 92 465 | 1 | |
| 17 | Rubber Suspension | 93 28 105 | 2 | >1991 |
| 17 | Rubber Suspension | 93 92 465 | 2 | 1992 & 1994> |
| 18 | Nut | 79 67 953 | 8 | |
| 19 | Nut | 79 79 503 | 4 | |



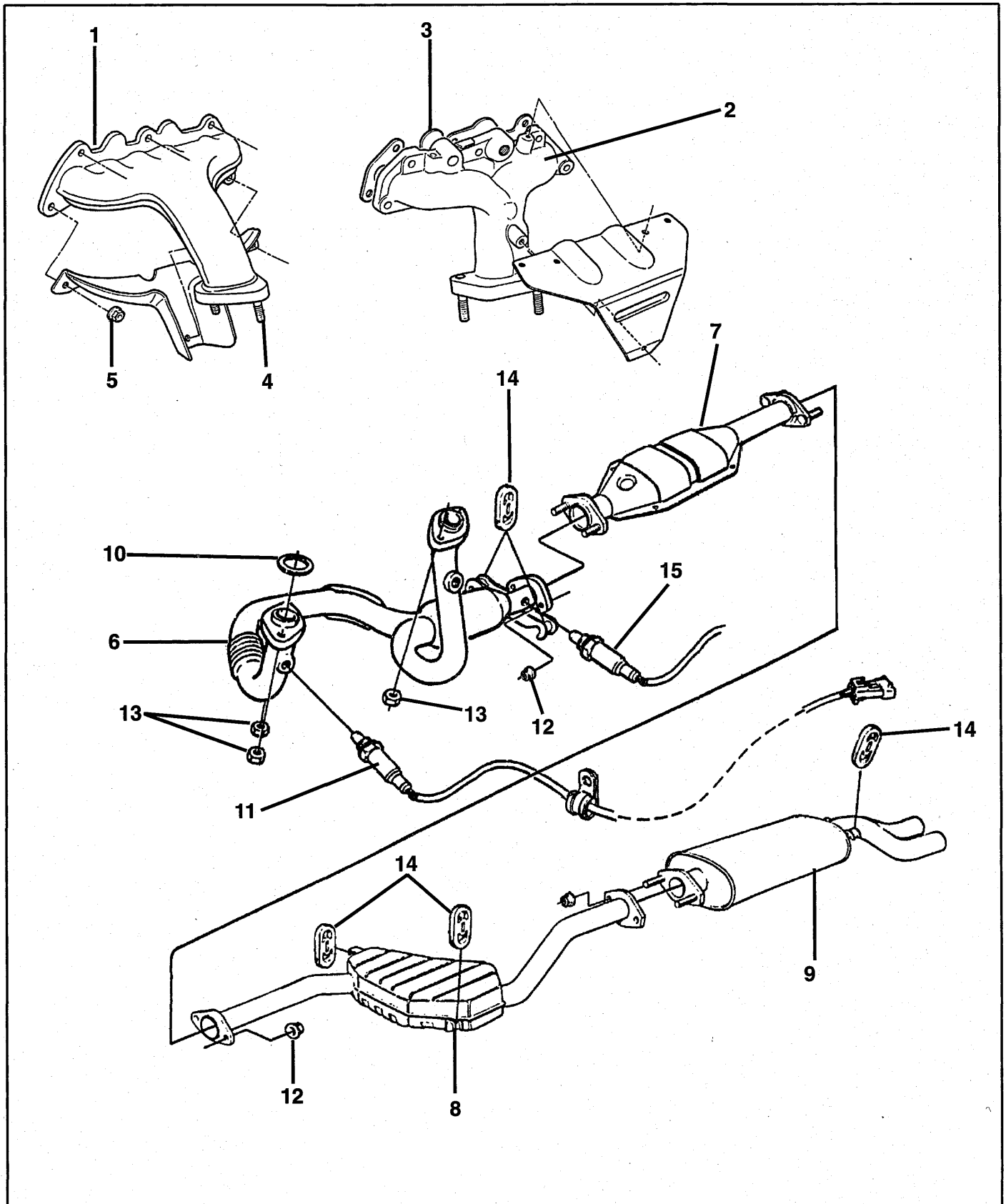
| KEY | DESCRIPTION | PART NUMBER | QTY. | NOTES |
|-----|-------------------------|-------------|------|-------|
| 1 | Exhaust Manifold, Inner | 91 18 027 | 1 | |
| 2 | Exhaust Manifold, Outer | 91 18 019 | 1 | |
| 3 | Gasket | 75 18 996 | 1 | |
| 4 | Stud | 79 85 161 | 4 | |
| 5 | Sleeve | 93 06 812 | 4 | |
| 6 | Washer | 80 73 249 | 7 | |
| 7 | Nut | 91 69 277 | 7 | |
| 8 | Stud | 79 85 146 | 4 | |
| 9 | Stud | 83 60 943 | 4 | |
| 10 | Catalytic Converter | 43 93 567 | 1 | |
| 11 | Intermediate Pipe | 43 93 583 | 1 | |
| 12 | Muffler, Center | 43 91 421 | 1 | |
| 13 | Muffler, Rear | 88 22 231 | 1 | 5D |
| 13 | Muffler, Rear | 89 79 155 | 1 | 4D |
| 13 | Muffler, Rear | 41 62 061 | 1 | 5CS |
| 14 | Gasket | 46 24 383 | 2 | |
| 15 | Lambda Sensor | 43 90 266 | 1 | |
| 16 | Rubber Mounting | 93 92 465 | 2 | |
| 17 | Rubber Mounting | 93 92 465 | 2 | |
| 18 | Nut | 79 67 953 | 8 | |
| 19 | Nut | 79 79 503 | 4 | |



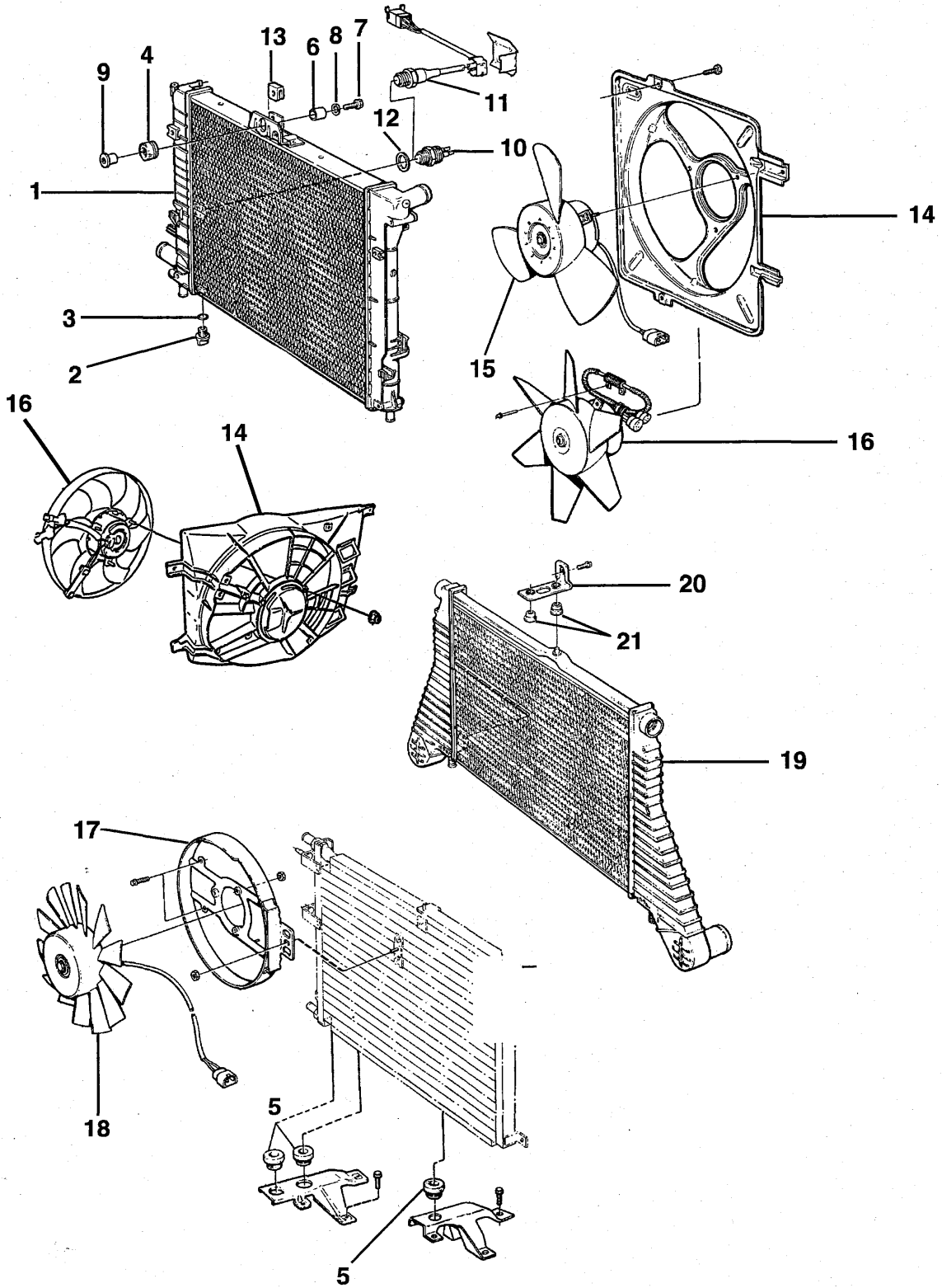
| KEY | DESCRIPTION | PART NUMBER | QTY. | NOTES |
|-----|---------------------|-------------|------|----------|
| 1 | Exhaust Manifold | 91 19 645 | 1 | |
| 2 | Gasket | 75 18 996 | 1 | |
| 3 | Stud | 79 85 146 | 3 | |
| 4 | Stud | 79 85 161 | 4 | |
| 5 | Washer | 80 73 249 | 7 | |
| 6 | Spacer Sleeve | 93 06 812 | 4 | |
| 7 | Nut | 91 69 277 | 7 | |
| 8 | Exhaust Pipe, Front | 40 20 749 | 1 | |
| 9 | Catalytic Converter | 47 50 030 | 1 | |
| 10 | Muffler, Center | 88 22 249 | 1 | >1991 |
| 10 | Muffler, Center | 40 18 867 | 1 | 1992 |
| 11 | Muffler, Rear | 88 22 264 | 1 | 1991> 5D |
| 11 | Muffler, Rear | 89 79 163 | 1 | 4D |
| 12 | Rubber Suspension | 93 92 465 | 6 | |
| 13 | Nut | 79 67 953 | 8 | |
| 14 | Nut | 75 19 432 | 3 | |
| 15 | Lambda Sensor | 93 92 762 | 1 | >1991 |
| 15 | Lambda Sensor | 91 32 564 | 1 | 1992 |



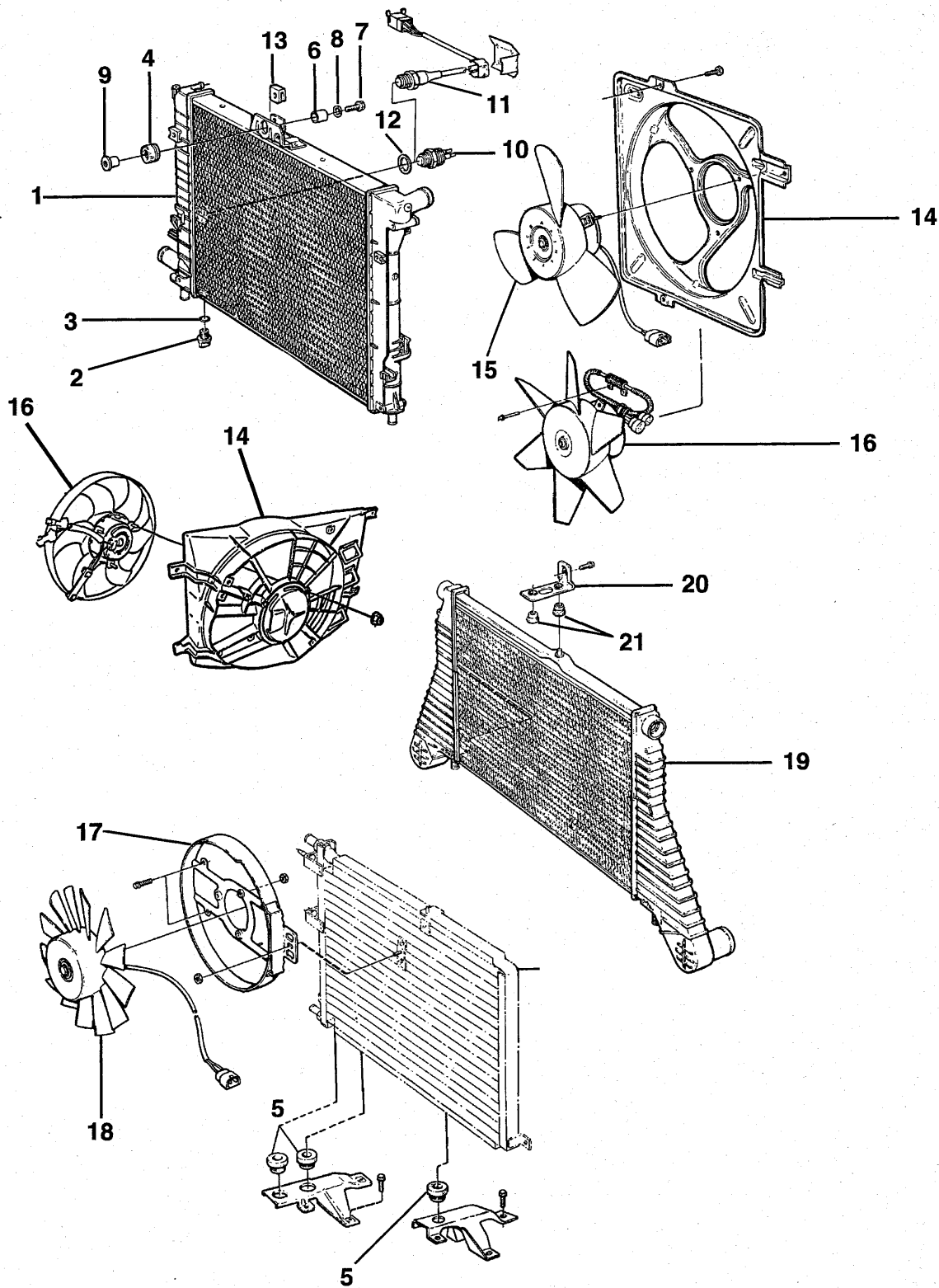
| KEY | DESCRIPTION | PART NUMBER | QTY. | NOTES |
|-----|----------------------|-------------|------|-----------------|
| 1 | Exhaust Manifold | 91 19 645 | 1 | |
| 2 | Gasket | 75 18 996 | 1 | 1993 |
| 2 | Gasket | 91 66 497 | 1 | 1994> |
| 3 | Stud | 79 85 146 | 3 | |
| 4 | Stud | 79 85 161 | 4 | |
| 5 | Washer | 80 73 249 | 7 | 1993 |
| 5 | Washer | 91 66 398 | 7 | 1994> |
| 6 | Spacer Sleeve | 93 06 812 | 4 | |
| 7 | Nut | 91 69 277 | 7 | |
| 8 | Catalytic Converter | 45 26 372 | 1 | 1993-95 |
| 8 | Catalytic Converter | 45 26 869 | 1 | 1996> |
| 9 | Intermediate Pipe | 43 93 583 | 1 | |
| 10 | Muffler, Center | 40 18 867 | 1 | |
| 11 | Muffler, Rear | 89 79 163 | 1 | 4D >1994 |
| 11 | Muffler, Rear | 45 25 366 | 1 | 4D 1995> |
| 11 | Muffler, Rear | 41 59 976 | 1 | 5CS |
| 11 | Muffler, Rear | 40 15 814 | 1 | 5CS, Aero 1993> |
| 12 | Lambda Sensor | 91 32 564 | 1 | 1993 |
| 12 | Lambda Sensor | 91 46 937 | 1 | 1994-95 |
| 12 | Lambda Sensor, Front | 46 60 494 | 1 | 1996> |
| 13 | Lambda Sensor, Rear | 91 47 224 | 1 | 1996> |
| 14 | Rubber Suspension | 93 92 465 | 4 | |
| 15 | Nut | 75 19 432 | 3 | |
| 16 | Nut | 79 67 953 | 6 | |



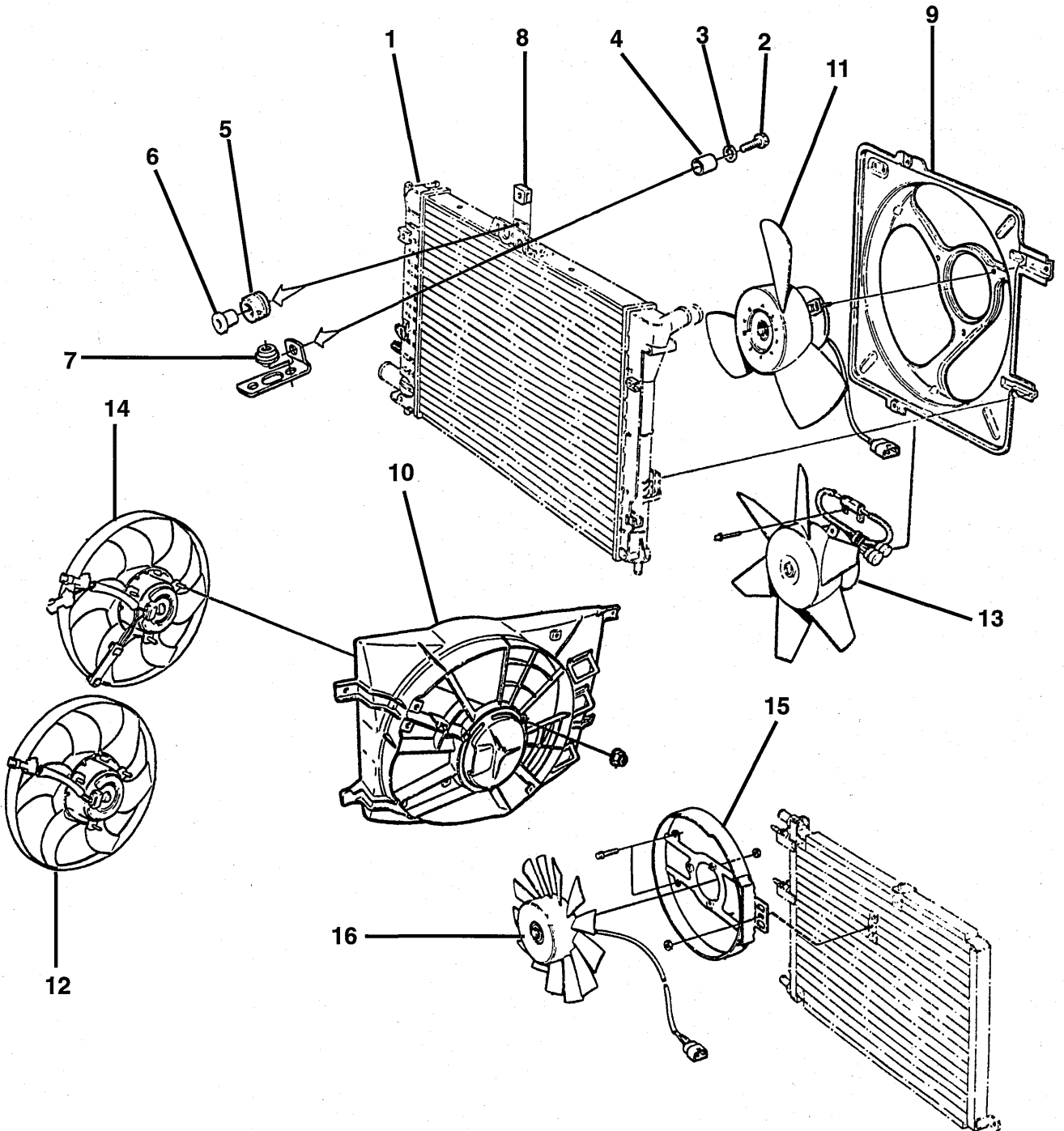
| KEY | DESCRIPTION | PART NUMBER | QTY. | NOTES |
|-----|-------------------------------------|-------------|------|------------------------|
| 1 | Exhaust Manifold, Cylinders 2 ,4 ,6 | 45 03 579 | 1 | |
| 2 | Exhaust Manifold, Cylinders 1, 3, 5 | 45 04 742 | 1 | |
| 3 | Gasket | 45 03 652 | 2 | |
| 4 | Stud | 45 03 629 | 2 | Included With Manifold |
| 5 | Nut | 45 03 538 | 14 | |
| 6 | Exhaust Pipe, Front | 43 74 914 | 1 | 1995 |
| 6 | Catalytic Converter | 45 26 877 | 1 | 1996> |
| 7 | Catalytic Converter | 44 42 505 | 1 | 1995 |
| 8 | Muffler, Center | 43 91 421 | 1 | |
| 9 | Muffler, Rear | 44 40 145 | 1 | 4D |
| 9 | Muffler, Rear | 41 64 315 | 1 | 5CS |
| 10 | Gasket | 44 43 958 | 2 | |
| 11 | Lambda Sensor | 42 39 042 | 2 | 1995 |
| 11 | Lambda Sensor | 43 01 545 | 2 | 1996> |
| 12 | Nut | 79 67 953 | 6 | |
| 13 | Nut | 43 47 902 | 4 | |
| 14 | Rubber Mounting | 93 92 465 | 6 | |
| 15 | Lambda Sensor, Grey | 46 60 163 | 1 | 1996> |
| 15 | Lambda Sensor, Brown | 46 60 171 | 1 | 1996> |



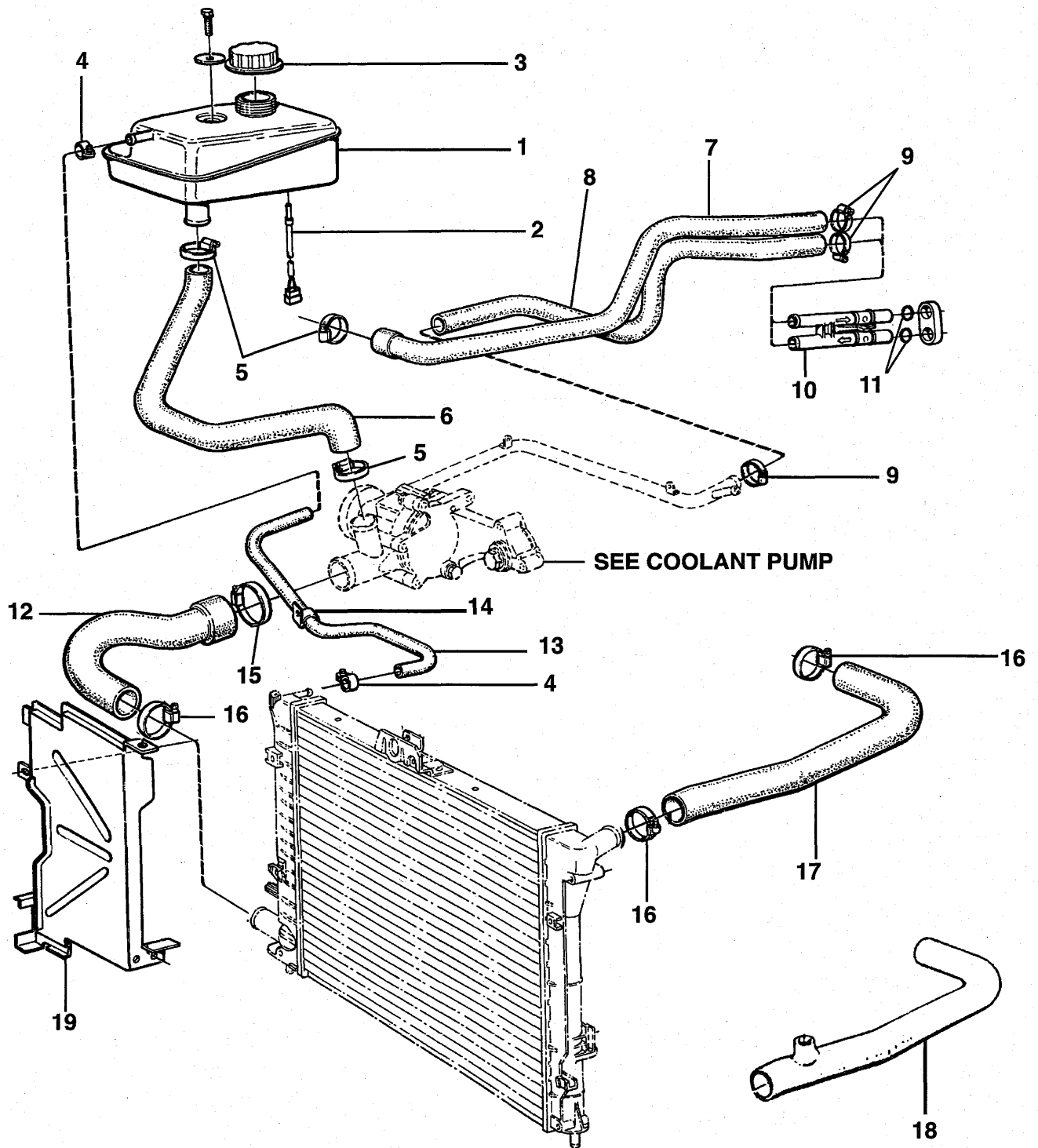
| KEY | DESCRIPTION | PART NUMBER | QTY. | NOTES |
|-----|---------------------------------|-------------|------|---------------------------------------|
| 1 | Radiator Assembly | 93 82 656 | 1 | Turbo Manual Trans. >1990 |
| 1 | Radiator Assembly | 75 50 098 | 1 | Turbo Auto. Trans. >1990 |
| 1 | Radiator Assembly | 75 99 194 | 1 | Fuel Injection VIN >R1018609 |
| 1 | Radiator Assembly | 43 58 040 | 1 | Fuel Injection VIN R1018610> >1994 |
| 1 | Radiator Assembly | 43 60 327 | 1 | 1995> |
| 2 | Plug | 93 85 824 | 1 | Included With Radiator |
| 3 | O-Ring | 79 75 725 | 1 | Included With Radiator |
| 4 | Rubber Bushing, Upper | 93 77 334 | 1 | |
| 5 | Rubber Bushing, Lower | 40 27 488 | 2 | |
| 6 | Bushing | 75 53 415 | 1 | |
| 7 | Screw | 80 21 917 | 1 | VIN >J1020749, >J2011889 |
| 7 | Screw | 79 78 133 | 1 | VIN J1020750>, J2011890> |
| 8 | Washer | 79 75 469 | 1 | |
| 9 | Nut | 92 23 082 | 1 | VIN >H1006906 |
| 9 | Nut | 75 76 200 | 1 | VIN H1006907> >1993 |
| 9 | Nut | 73 99 454 | 1 | 1994> |
| 10 | Thermocontact | 40 86 708 | 1 | >1988 |
| 11 | Thermocontact | 40 86 690 | 1 | 1989-94 |
| 11 | Thermocontact, For Two Step Fan | 40 86 682 | 1 | >1994 |
| 12 | Gasket | 93 86 285 | 1 | |
| 13 | Clip Nut | 79 72 573 | 2 | >1987 |
| 13 | Clip Nut | 94 27 014 | 2 | 1988-94 |
| 13 | Clip Nut | 79 75 071 | 2 | 1995> |
| 14 | Fan Housing | 75 92 918 | 1 | VIN >R1018609 |
| 14 | Fan Housing | 43 58 115 | 1 | VIN R1018610> >S1023556 |
| 14 | Fan Housing | 43 59 899 | 1 | VIN S1023557> |
| 15 | Fan Motor | 93 82 144 | 1 | >1994 |
| 15 | Fan Motor | 43 60 954 | 1 | 1995> VIN >S1023556 |
| 15 | Fan Motor | 43 96 248 | 1 | VIN S1023557> |



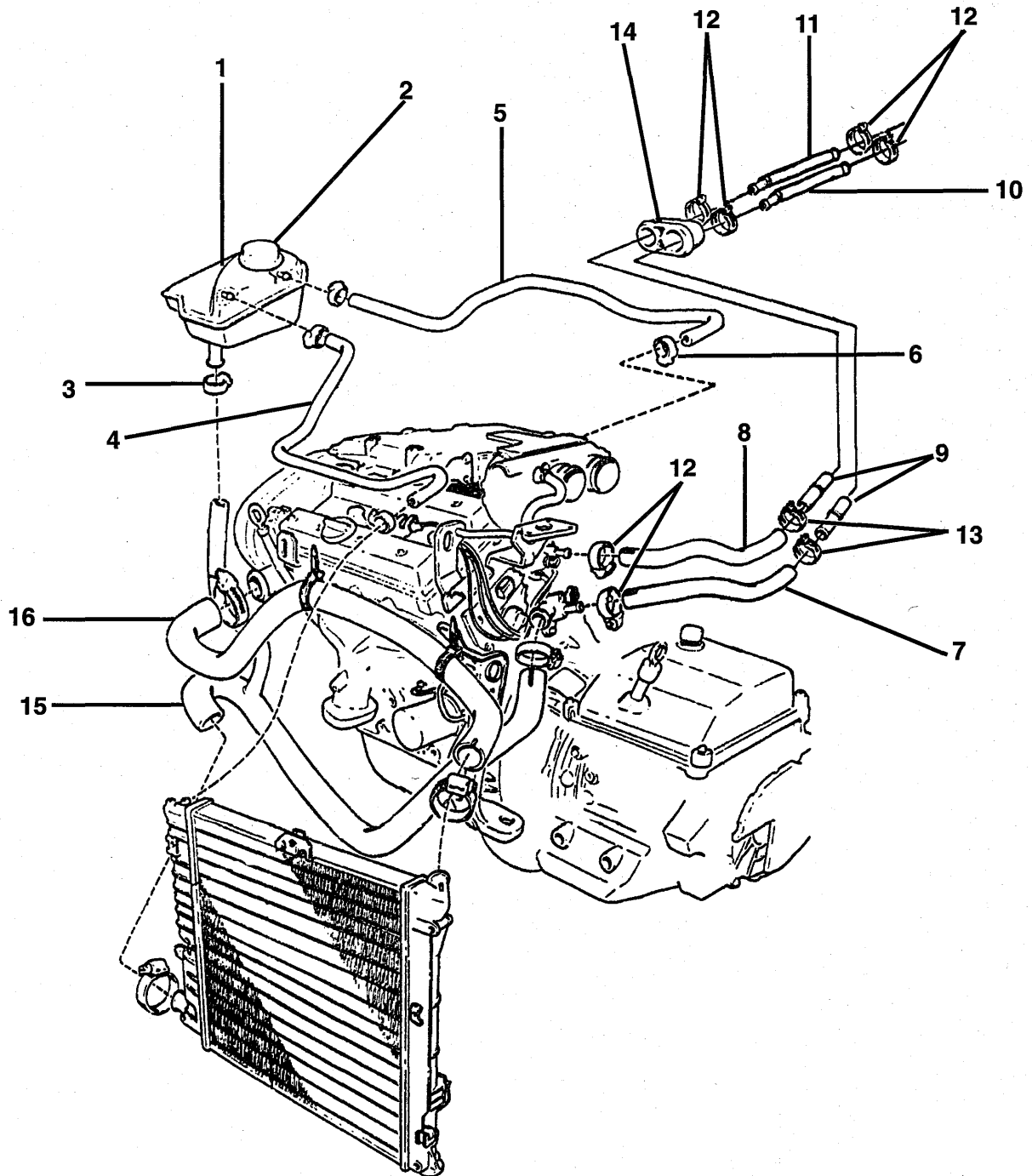
| KEY | DESCRIPTION | PART NUMBER | QTY. | NOTES |
|-----|------------------------|-------------|------|---------------------|
| 16 | Fan Motor, Two Step | 43 56 994 | 1 | >1994 |
| 16 | Fan Motor, Two Step | 43 60 962 | 1 | 1995> VIN >S1023556 |
| 16 | Fan Motor, Two Step | 88 22 777 | 1 | VIN S1023557> |
| 17 | Fan Ring | 75 77 885 | 1 | AC |
| 18 | Fan Motor | 75 98 980 | 1 | AC |
| 19 | Charge Cooler Assembly | 75 59 776 | 1 | >1990 |
| 19 | Charge Cooler Assembly | 43 96 818 | 1 | 1991> |
| 20 | Bracket | 75 50 346 | 1 | |
| 21 | Rubber Bushing | 75 50 353 | 1 | |



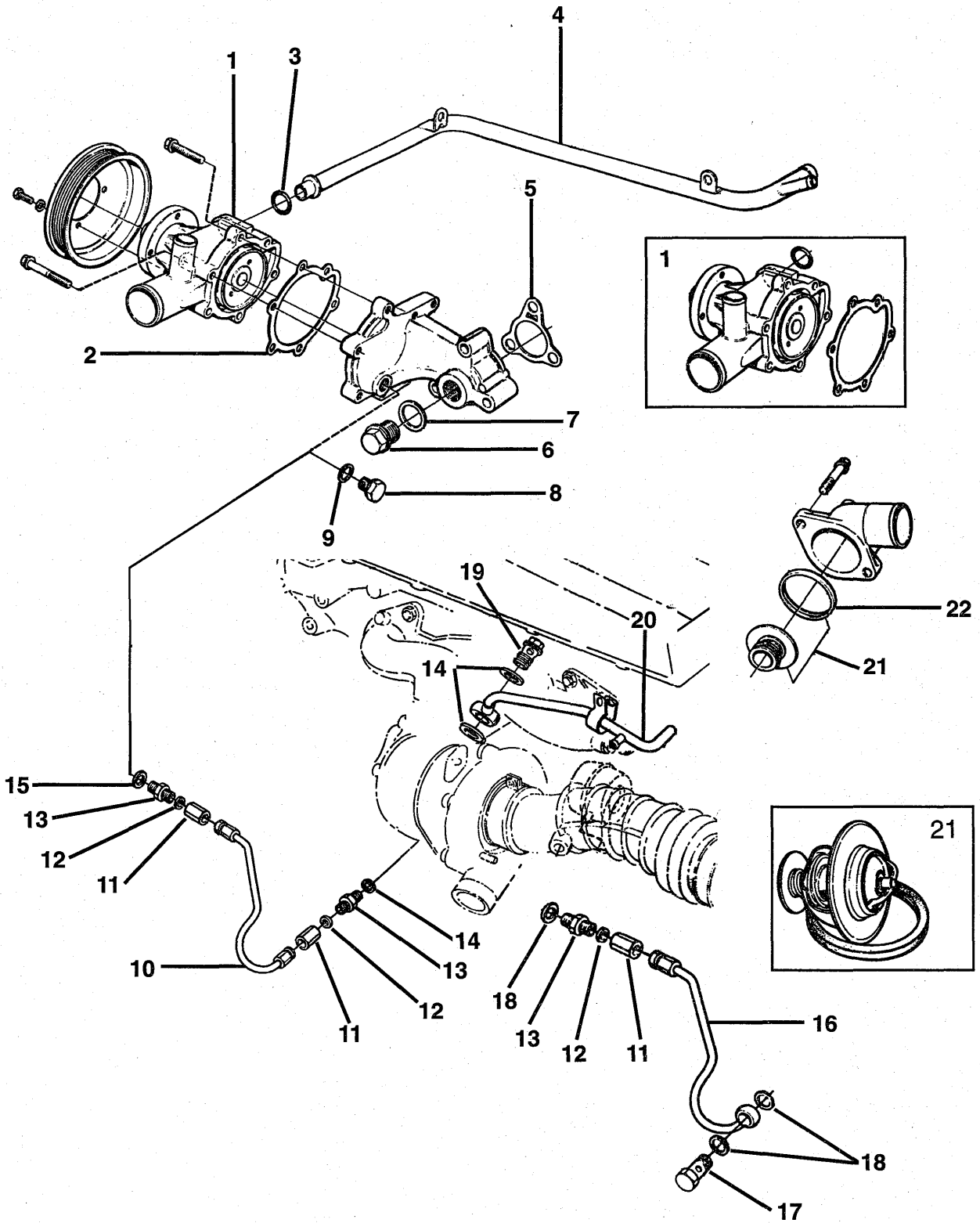
| KEY | DESCRIPTION | PART NUMBER | QTY. | NOTES |
|-----|----------------------|-------------|------|-------------------------|
| 1 | Radiator Assembly | 43 60 327 | 1 | |
| 2 | Screw | 79 78 133 | 1 | |
| 3 | Washer | 79 75 469 | 1 | |
| 4 | Bushing, Upper | 75 53 415 | 1 | |
| 5 | Bushing, Upper | 93 77 334 | 1 | |
| 6 | Nut | 73 99 454 | 1 | |
| 7 | Bushing | 75 50 353 | 1 | |
| 8 | Clip Nut | 79 75 071 | 2 | |
| 9 | Fan Housing | 75 92 918 | 1 | VIN >R1018909 |
| 9 | Fan Housing | 43 58 115 | 1 | VIN R1018610> >S1023556 |
| 10 | Fan Housing | 43 59 899 | 1 | VIN S10235557> |
| 11 | Fan Motor | 93 82 144 | 1 | 1994 |
| 11 | Fan Motor | 43 60 954 | 1 | 1995 VIN >S1023556 |
| 12 | Fan Motor | 43 96 248 | 1 | VIN S1023557> |
| 13 | Fan Motor, Two Stage | 43 56 994 | 1 | 1994 |
| 13 | Fan Motor, Two Stage | 43 60 962 | 1 | 1995 VIN >S1023556 |
| 14 | Fan Motor, Two Stage | 88 22 777 | 1 | VIN S1023557> |
| 15 | Fan Shroud | 75 77 885 | 1 | |
| 16 | Fan Motor | 75 98 980 | 1 | AC |



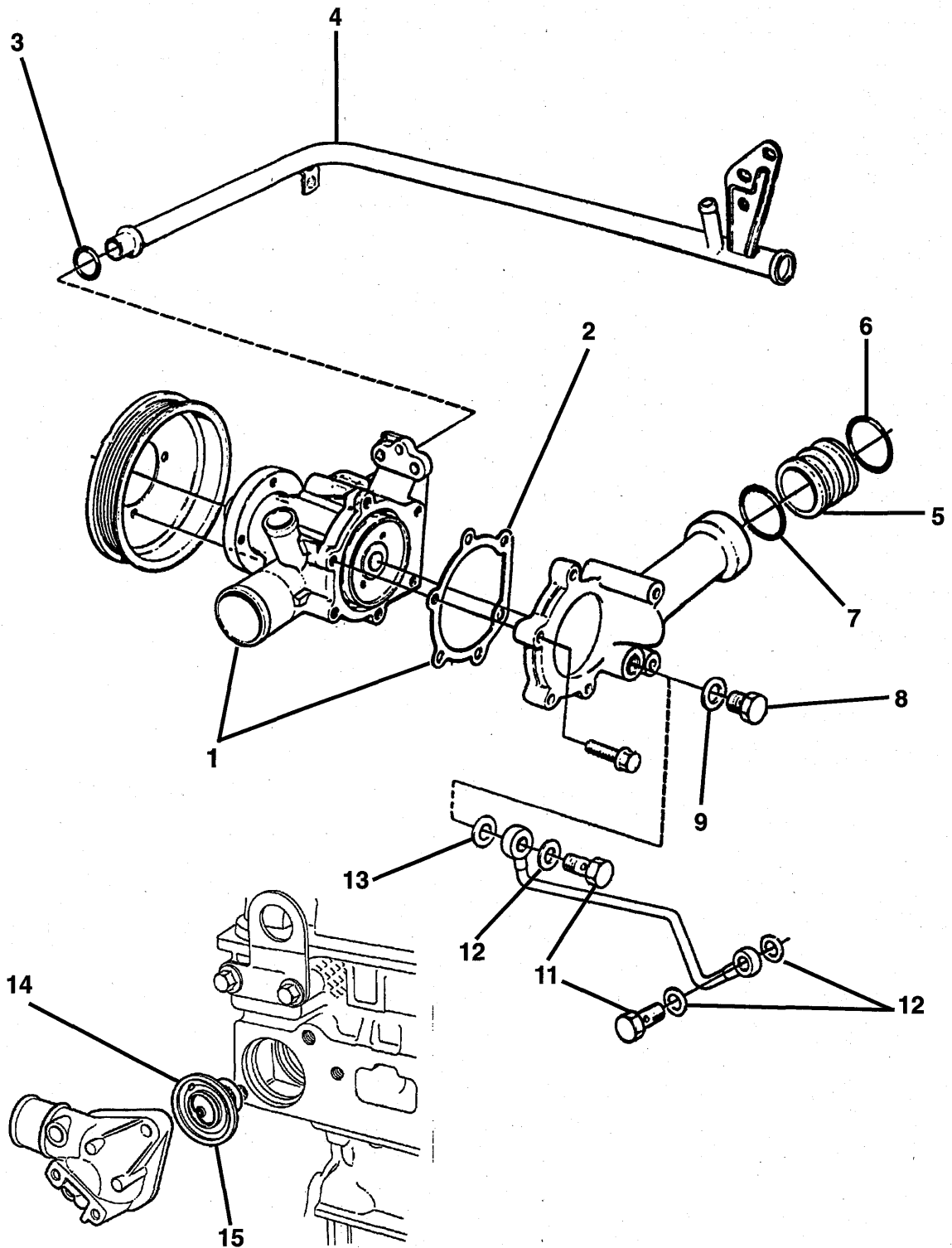
| KEY | DESCRIPTION | PART NUMBER | QTY. | NOTES |
|-----|-------------------------|-------------|------|--|
| 1 | Expansion Tank Assembly | 75 54 306 | 1 | 1986 |
| 1 | Expansion Tank Assembly | 87 86 055 | 1 | 1987-91 |
| 1 | Expansion Tank Assembly | 41 21 067 | 1 | 1992> |
| 2 | Switch Unit | 75 54 348 | 1 | 1987> Part Of 75 54 306 |
| 3 | Cap | 43 95 570 | 1 | |
| 4 | Hose Clamp | 79 70 031 | 2 | B202 |
| 4 | Hose Clamp | 79 70 049 | 2 | B234 |
| 5 | Hose Clamp | 79 70 098 | 3 | |
| 6 | Hose | 75 54 017 | 1 | B202 |
| 6 | Hose | 48 76 611 | 1 | B234 |
| 7 | Hose | 75 54 025 | 1 | >1991 |
| 7 | Hose | 48 76 371 | 1 | 1992> |
| 8 | Hose | 75 54 033 | 1 | B202 |
| 8 | Hose | 40 27 785 | 1 | B234 VIN >L1013818, >L2009856 |
| 8 | Hose | 41 20 366 | 1 | B234 VIN L1013819>, L2009857> >1991 |
| 8 | Hose | 48 76 652 | 1 | 1992> |
| 9 | Hose Clamp | 79 70 072 | X | |
| 10 | Quick-Grip Coupling | 93 85 709 | 1 | >1991 |
| 10 | Coupling Pipe | 40 28 650 | 2 | 1992> |
| 11 | O-Ring | 79 74 975 | 2 | >1991 |
| 12 | Hose | 93 83 688 | 1 | B202 Turbo |
| 12 | Hose | 93 83 670 | 1 | B202 Fuel Injection |
| 12 | Hose | 48 76 645 | 1 | B234 |
| 13 | Hose | 75 50 148 | 1 | Turbo >1989 |
| 13 | Hose | 75 50 130 | 1 | Fuel Injection >1990 |
| 13 | Hose | 41 18 030 | 1 | Turbo 1990 |
| 13 | Hose | 41 18 956 | 1 | 1991 |
| 13 | Hose | 48 76 637 | 1 | 1992> |
| 14 | Clip | 85 36 419 | 1 | >1987 |
| 14 | Clip | 85 36 419 | 1 | Fuel Injection 1988-89 |
| 14 | Clip | 79 71 880 | 1 | Turbo 1988-91 |
| 15 | Hose Clamp | 79 70 122 | 1 | |
| 16 | Hose Clamp | 79 70 114 | 3 | |
| 17 | Hose | 48 76 363 | 1 | |
| 18 | Hose | 43 59 709 | 1 | |
| 19 | Cover Plate | 41 18 360 | 1 | |



| KEY | DESCRIPTION | PART NUMBER | QTY. | NOTES |
|-----|-------------------------|-------------|------|-------|
| 1 | Expansion Tank Assembly | 43 57 299 | 1 | |
| 2 | Cap | 43 95 570 | 1 | |
| 3 | Hose Clamp | 79 70 098 | 1 | |
| 4 | Hose | 42 84 873 | 1 | |
| 5 | Hose | 41 65 676 | 1 | |
| 6 | Hose Clamp | 79 70 049 | X | |
| 7 | Hose | 43 95 364 | 1 | |
| 8 | Hose | 43 95 356 | 1 | |
| 9 | Junction Pipe | 40 28 650 | 2 | |
| 10 | Hose | 40 28 619 | 1 | |
| 11 | Hose | 40 28 635 | 1 | |
| 12 | Hose Clamp | 79 70 072 | X | |
| 13 | Hose Clamp | 79 84 727 | X | |
| 14 | Grommet | 43 95 554 | 1 | |
| 15 | Hose, Radiator Lower | 42 84 832 | 1 | |
| 16 | Hose, Radiator Upper | 48 76 389 | 1 | |

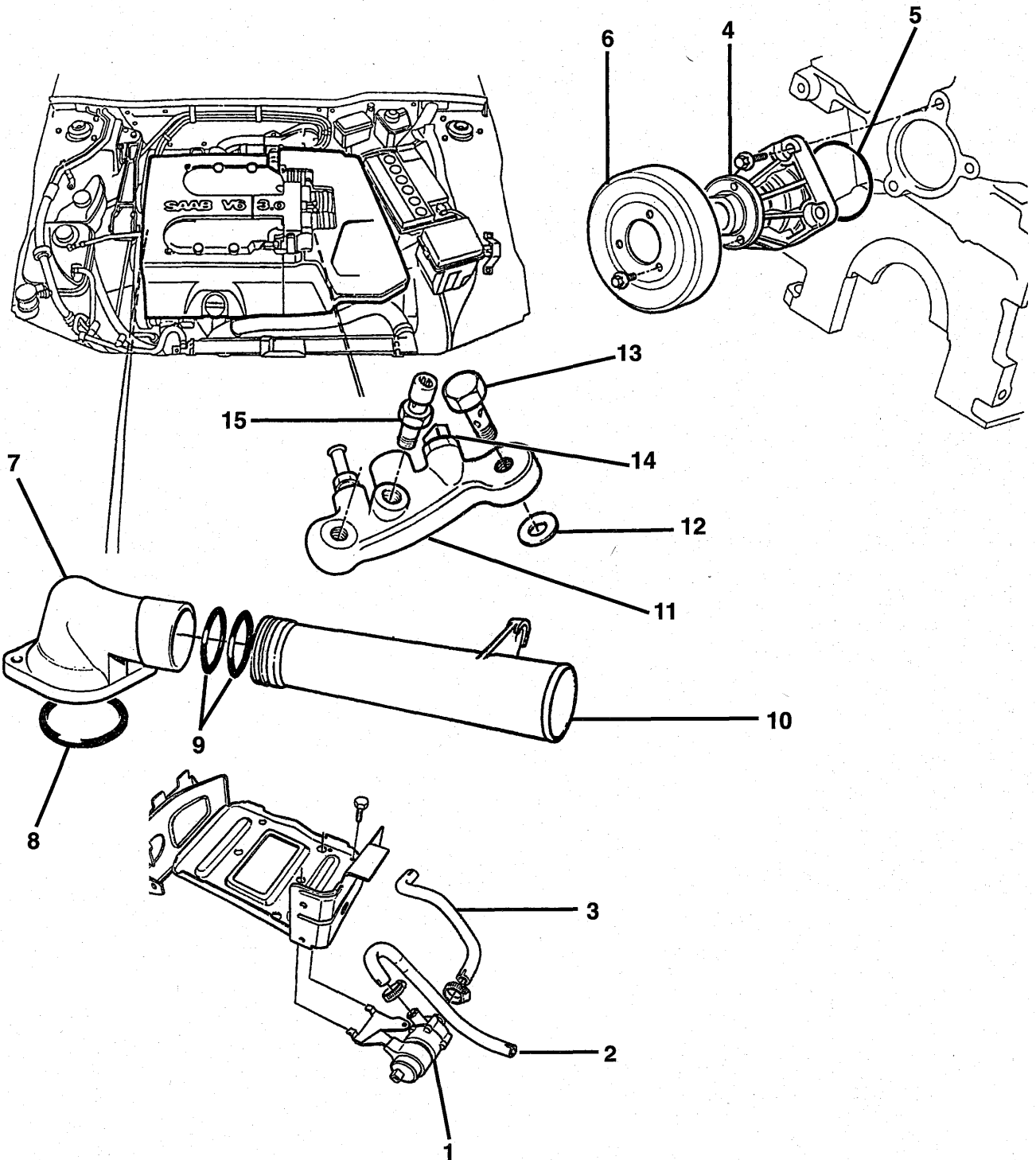


| KEY | DESCRIPTION | PART NUMBER | QTY. | NOTES |
|-----|-----------------------|-------------|------|------------------------------|
| 1 | Coolant Pump Assembly | 93 21 670 | 1 | |
| 2 | Gasket | 75 66 581 | 1 | Included With Pump |
| 3 | O-Ring | 91 46 598 | 1 | Included With Pump |
| 4 | Tube | 75 85 565 | 1 | |
| 5 | Gasket | 75 23 897 | 1 | |
| 6 | Plug | 81 23 788 | 1 | |
| 7 | Gasket | 91 16 856 | 1 | |
| 8 | Plug | 75 63 042 | 1 | |
| 9 | Gasket | 81 24 141 | 1 | |
| 10 | Tube | 75 82 299 | 1 | Turbo Eng. H000269> |
| 11 | Nut | 81 45 542 | 1 | Turbo Eng. H000269> |
| 12 | Ferrule | 81 32 227 | 1 | Turbo Eng. H000269> |
| 13 | Nipple | 75 84 790 | 1 | Turbo Eng. H000269> >H011394 |
| 13 | Nipple | 75 87 785 | 1 | Turbo Eng. H011395> |
| 14 | Gasket | 81 24 158 | 2 | Eng. H000269> >1989 |
| 15 | Gasket | 81 24 141 | 1 | |
| 16 | Tube | 91 28 018 | 1 | Turbo 1990 |
| 17 | Banjo Bolt | 81 23 903 | 1 | Turbo 1990 |
| 18 | Gasket | 81 24 141 | 1 | Turbo 1990 |
| 19 | Banjo Bolt | 75 83 628 | 1 | Turbo Eng. H000269> |
| 20 | Tube | 75 83 198 | 1 | Eng. H000269> |
| 20 | Tube | 91 16 369 | 1 | Turbo Eng. K042024> >1989 |
| 20 | Tube | 91 14 489 | 1 | Turbo 1990 |
| 21 | Thermostat Kit, 89°C | 88 22 025 | 1 | |
| 21 | Thermostat Kit, 83°C | 88 17 538 | 1 | |
| 22 | Gasket | 83 52 692 | 1 | Included With Thermostat |



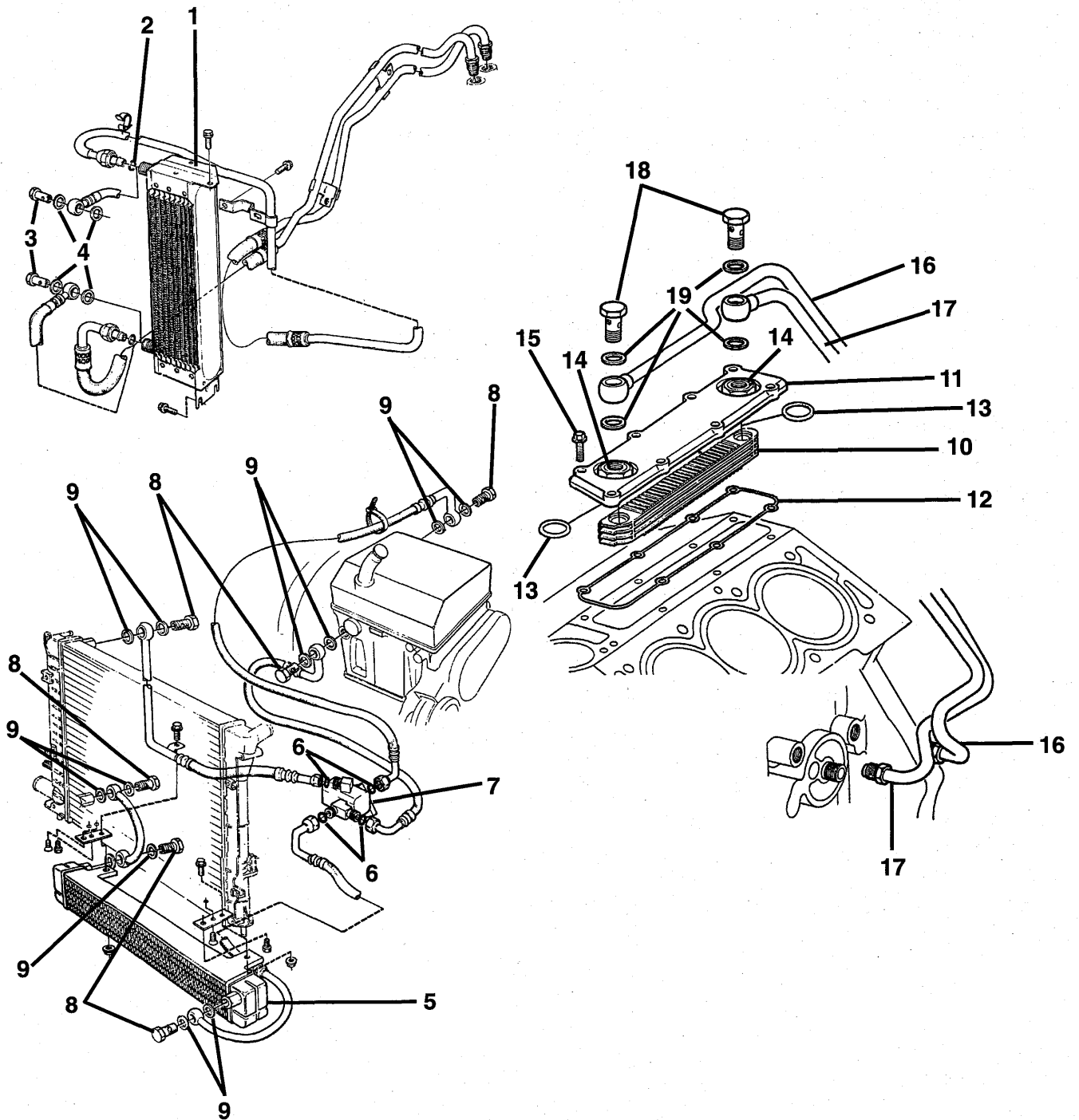
| KEY | DESCRIPTION | PART NUMBER | QTY. | NOTES |
|-----|-----------------------|-------------|------|--------------------------|
| 1 | Coolant Pump Assembly | 93 21 688 | 1 | |
| 2 | Gasket | 91 13 325 | 2 | |
| 3 | O-Ring | 91 46 598 | 1 | |
| 4 | Tube | 78 58 921 | 1 | >1993 |
| 4 | Tube | 91 49 766 | 1 | 1994> |
| 5 | Tube | 91 13 341 | 1 | |
| 6 | O-Ring | 91 46 606 | 1 | Included With Tube |
| 7 | O-Ring | 91 46 614 | 1 | Included With Tube |
| 8 | Plug | 75 63 042 | 1 | |
| 9 | Gasket | 75 22 709 | 1 | |
| 10 | Tube | 91 14 083 | 1 | Turbo T25 >1993 |
| 10 | Tube | 91 37 928 | 1 | Turbo TD04 >1993 |
| 10 | Tube | 91 46 184 | 1 | Turbo T25 1994> |
| 10 | Tube | 91 45 897 | 1 | Turbo TD04 1994> |
| 11 | Banjo Bolt | 81 23 903 | 1 | Turbo T25 >1993 |
| 11 | Banjo Bolt | 91 36 524 | 1 | Turbo TD04 >1993 |
| 11 | Banjo Bolt | 91 36 524 | 1 | Turbo 1994> |
| 12 | Seal | 81 24 133 | 1 | Turbo T25 |
| 12 | Gasket | 81 24 133 | 1 | Turbo TD04 |
| 13 | Gasket | 41 61 162 | 1 | |
| 14 | Thermostat Kit, 89°C | 88 22 025 | 1 | |
| 14 | Thermostat Kit, 83°C | 88 17 538 | 1 | |
| 15 | Gasket | 83 52 692 | 1 | Included With Thermostat |

Coolant Pump, Thermostat 6 Cylinder Engine

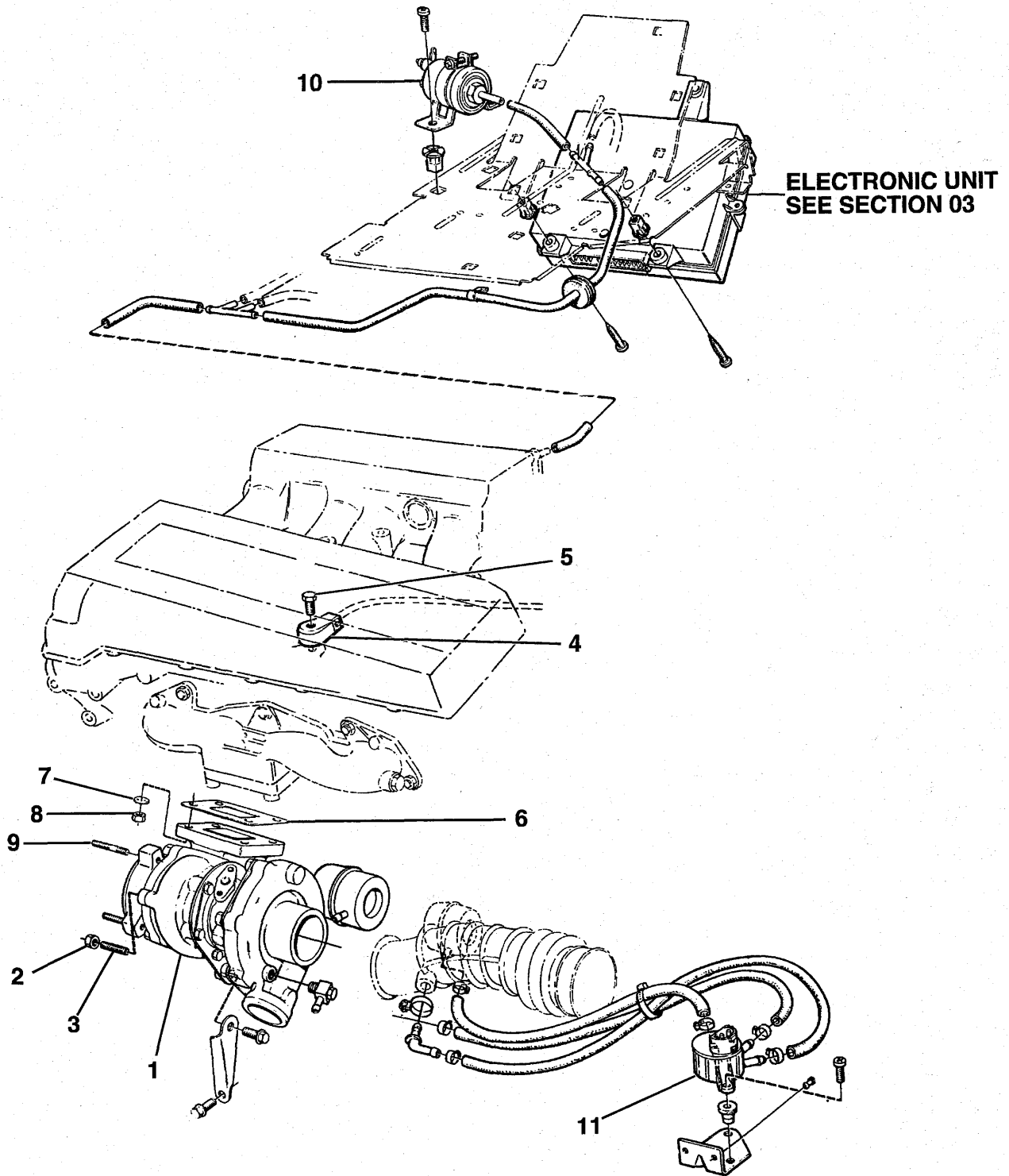


Engine Coolant Pump, Thermostat 6 Cylinder

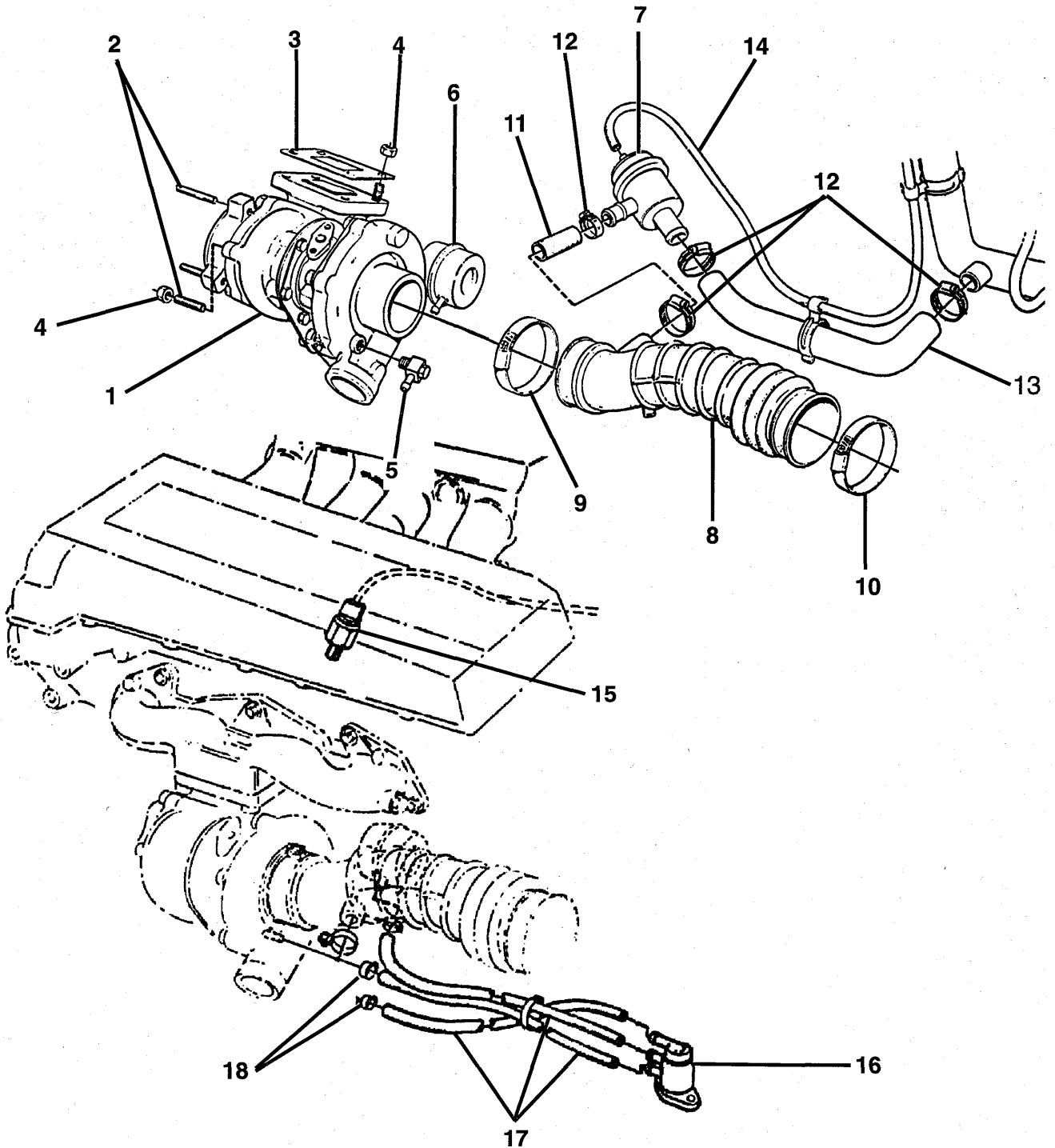
| KEY | DESCRIPTION | PART NUMBER | QTY. | NOTES |
|-----|-----------------------|-------------|------|--------------------|
| 1 | Circulation Pump | 43 95 612 | 1 | |
| 2 | Hose | 43 95 638 | 1 | |
| 3 | Hose | 43 95 646 | 1 | |
| 4 | Coolant Pump Assembly | 47 70 970 | 1 | |
| 5 | O-Ring | 45 02 985 | 1 | Included With Pump |
| 6 | Pulley | 44 43 206 | 1 | >1995 |
| 6 | Pulley | 46 21 470 | 1 | 1996> |
| 7 | Thermostat | 45 03 017 | 1 | |
| 8 | O-Ring | 45 03 058 | 1 | |
| 9 | O-Ring | 45 03 074 | 2 | |
| 10 | Outlet Pipe | 45 03 066 | 1 | |
| 11 | Adapter | 47 70 145 | 1 | |
| 12 | Sealing Ring | 46 21 413 | 2 | |
| 13 | Hollow Screw | 46 21 397 | 2 | |
| 14 | EC Temperature Sensor | 47 70 228 | 1 | >1995 |
| 14 | EC Temperature Sensor | 46 60 585 | 1 | 1996> |
| 15 | EC Temperature Sensor | 91 82 270 | 1 | |



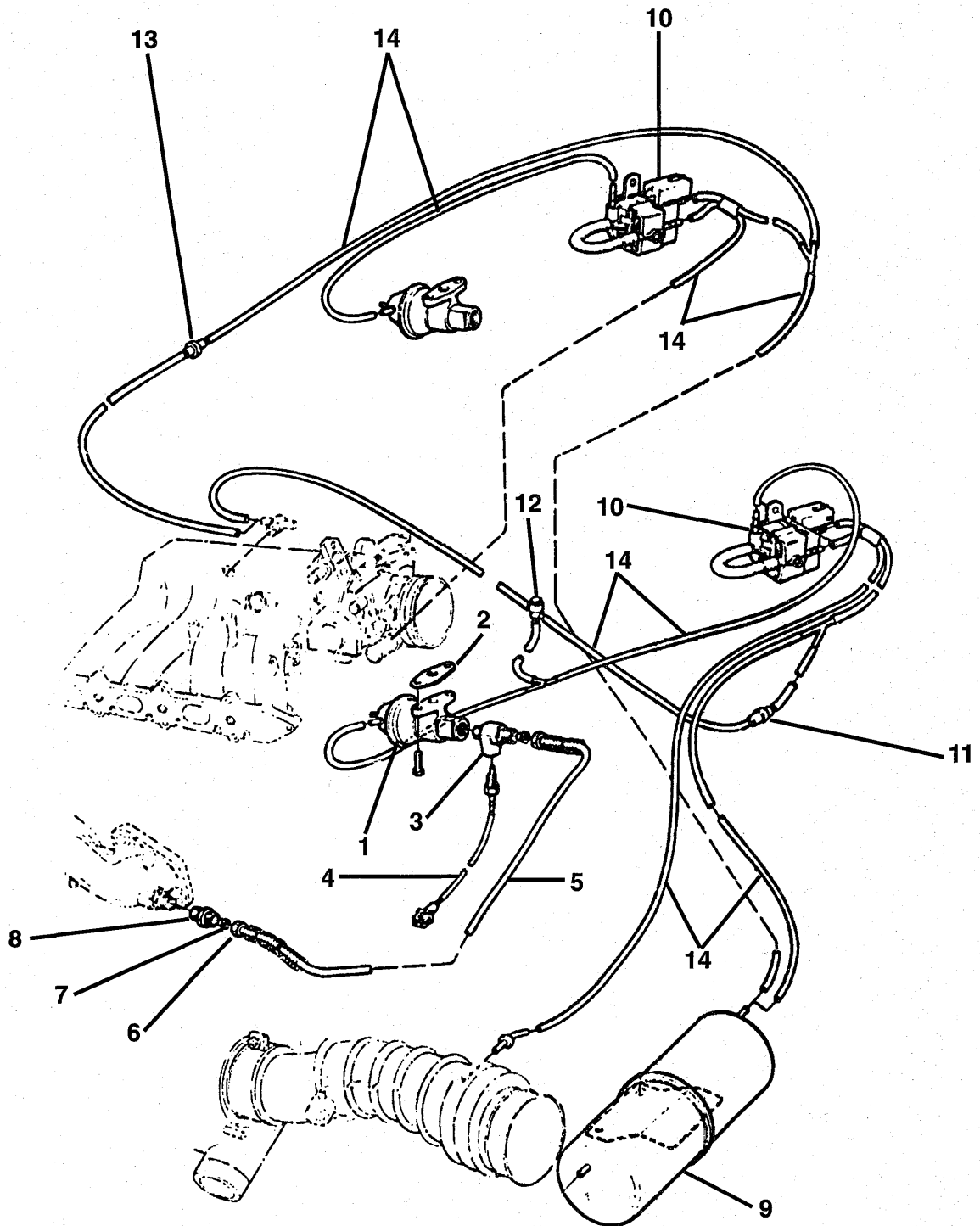
| KEY | DESCRIPTION | PART NUMBER | QTY. | NOTES |
|-----|--------------------------|-------------|------|--|
| 1 | Oil Cooler, Engine | 75 59 271 | 1 | VIN >G1007152 |
| 1 | Oil Cooler, Engine | 75 72 894 | 1 | VIN G1007153> B202 |
| 1 | Oil Cooler, Engine | 40 29 625 | 1 | B234 Fuel Injection |
| 1 | Oil Cooler, Engine | 75 96 018 | 1 | B234 Turbo |
| 2 | O-Ring | 79 77 598 | 2 | VIN G1007153> |
| 3 | Banjo Fitting | 75 59 362 | 2 | VIN >G1007152 |
| 4 | Sealing Ring | 93 55 389 | 4 | VIN >G1007152 |
| 5 | Oil Cooler, Auto. Trans. | 75 98 311 | 1 | |
| 6 | O-Ring | 79 77 580 | 4 | VIN J1004596>, J2001821> VIN >L1013312, >L2009535, >L8001517 |
| 7 | Thermostat | 75 73 777 | 1 | VIN >L1013312, L2009535, L8001517 |
| 8 | Banjo Fitting | 43 74 211 | 6 | |
| 9 | Sealing Ring | 41 61 162 | 12 | |
| 10 | Engine Oil Cooler | 47 70 988 | 1 | 6 Cylinder |
| 11 | Cover | 47 70 152 | 1 | 6 Cylinder |
| 12 | Gasket | 47 70 202 | 1 | 6 Cylinder |
| 13 | Seal | 45 02 472 | 2 | 6 Cylinder |
| 14 | Nut | 45 02 480 | 2 | 6 Cylinder |
| 15 | Screw | 43 46 854 | 6 | 6 Cylinder |
| 16 | Oil Pipe | 45 02 506 | 1 | 6 Cylinder >1995 |
| 16 | Oil Pipe | 46 20 274 | 1 | 6 Cylinder 1996> |
| 17 | Oil Pipe | 45 02 514 | 1 | 6 Cylinder >1995 |
| 17 | Oil Pipe | 46 20 282 | 1 | 6 Cylinder 1996> |
| 18 | Banjo Fitting | 46 21 397 | 2 | 6 Cylinder |
| 19 | Sealing Ring | 46 21 413 | 4 | 6 Cylinder |



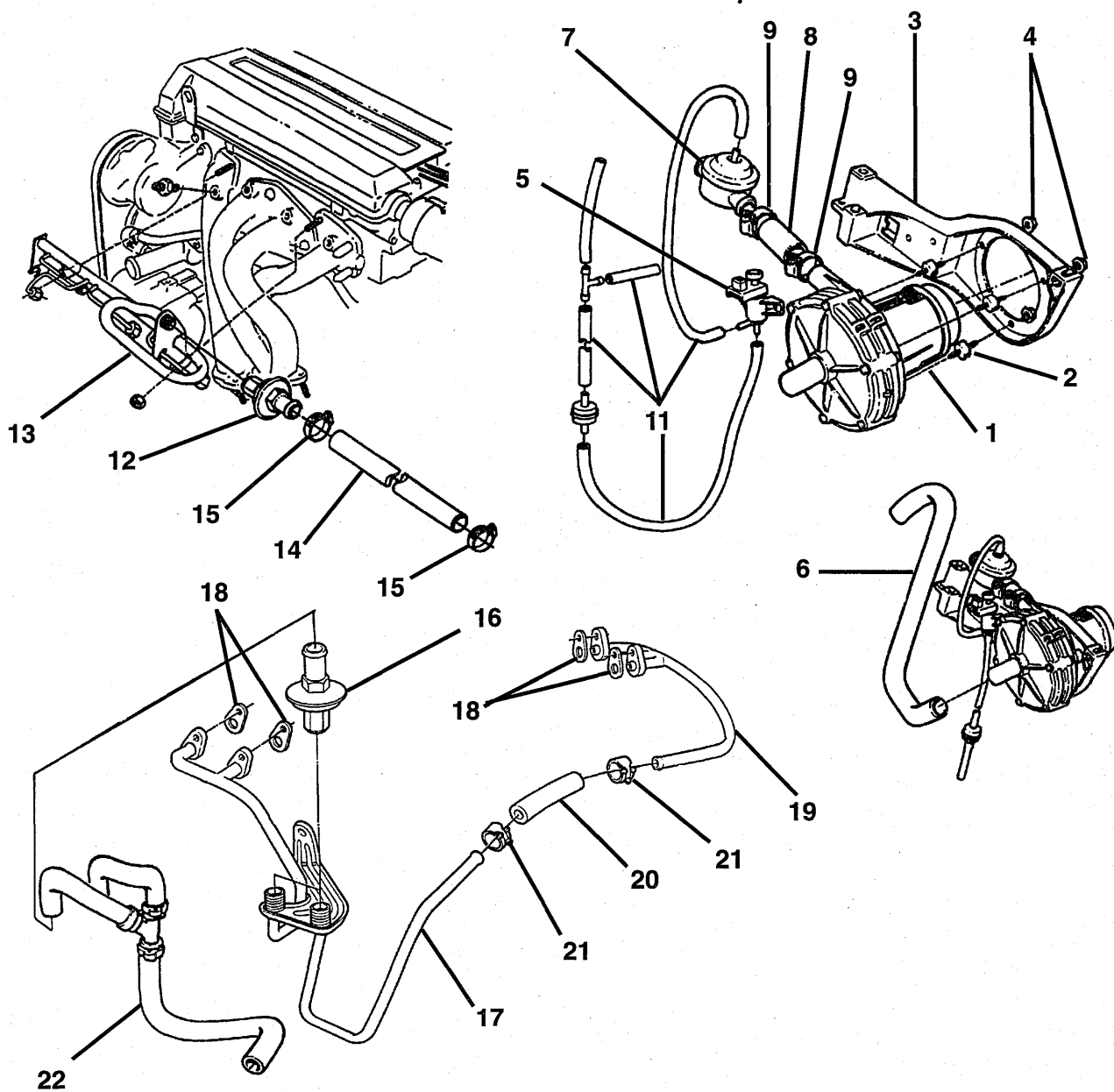
| KEY | DESCRIPTION | PART NUMBER | QTY. | NOTES |
|-----|-------------------------------------|-------------|------|----------------------------------|
| 1 | Turbocharger Assembly | 02 71 296 | 1 | Eng. >H000268 |
| 1 | Turbocharger Assembly, Water Cooled | 02 73 979 | 1 | Eng. H000269> >1989 |
| 1 | Turbocharger Assembly | 02 42 149 | 1 | 1990 |
| 1 | Turbocharger Assembly | 02 42 305 | 1 | 1991, T25 |
| 1 | Turbocharger Assembly | 88 28 113 | 1 | B234R TD04 |
| 2 | Nut | 75 19 432 | 5 | >1990 Included With Turbocharger |
| 3 | Stud | 75 65 658 | 5 | >1990 Included With Turbocharger |
| 4 | Knock Sensor | 75 68 801 | 1 | 1987> |
| 5 | Screw | 81 25 197 | 1 | 1987-89 |
| 6 | Gasket | 83 66 262 | 1 | >1989 |
| 6 | Gasket | 91 13 937 | 1 | 1990> |
| 7 | Washer | 80 73 108 | 4 | >1989 |
| 7 | Washer | 91 66 372 | 4 | 1990> |
| 8 | Nut | 46 85 830 | 4 | >1989 |
| 8 | Nut | 91 16 674 | 4 | 1990> |
| 9 | Stud | 75 20 224 | 3 | >1989 |
| 9 | Stud | 75 20 190 | 3 | 1990 |
| 9 | Stud | 91 07 996 | 3 | 1991>, T25 |
| 9 | Stud | 91 41 730 | 3 | TD04 |
| 10 | Pressure Sensor | 93 42 064 | 1 | >1989 |
| 10 | Pressure Sensor | 74 85 576 | 1 | 1990> |
| 11 | Solenoid Valve | 75 17 477 | 1 | >1989 |
| 11 | Solenoid Valve | 74 85 576 | 1 | 1990> |



| KEY | DESCRIPTION | PART NUMBER | QTY. | NOTES |
|-----|-----------------------------|-------------|------|--|
| 1 | Turbocharger Assembly, T25 | 88 28 501 | 1 | |
| 1 | Turbocharger Assembly, TD04 | 88 28 519 | 1 | B234R (M/T Aero only) |
| 2 | Stud | 91 07 996 | 7 | T25 |
| 2 | Stud | 91 41 730 | 7 | TD04, B234R |
| 3 | Gasket | 91 13 937 | 1 | |
| 4 | Nut | 91 16 674 | 4 | |
| 5 | Nipple | 91 69 517 | 1 | T25 Included With Turbocharger |
| 6 | Pressure Regulator | 91 69 491 | 1 | T25 Included With Turbocharger |
| 6 | Pressure Regulator | 91 69 483 | 1 | TD04, B234R Included With Turbocharger |
| 7 | Valve | 43 91 157 | 1 | |
| 8 | Hose | 40 21 473 | 1 | |
| 9 | Hose Clamp | 79 70 148 | 1 | |
| 10 | Hose Clamp | 79 70 155 | 1 | |
| 11 | Hose | 41 63 432 | 1 | |
| 12 | Hose Clamp | 79 70 098 | 4 | |
| 13 | Hose | 75 91 936 | 1 | |
| 14 | Hose | 91 36 243 | 1 | 650mm |
| 15 | Knock Sensor | 75 68 801 | 1 | |
| 15 | Knock Sensor | 75 85 755 | 1 | DI |
| 16 | Solenoid Valve | 74 85 576 | 1 | |
| 17 | Hose | 40 22 224 | 1 | |
| 17 | Hose | 44 40 608 | 1 | B234R |
| 18 | Hose Clamp | 79 73 522 | 3 | |

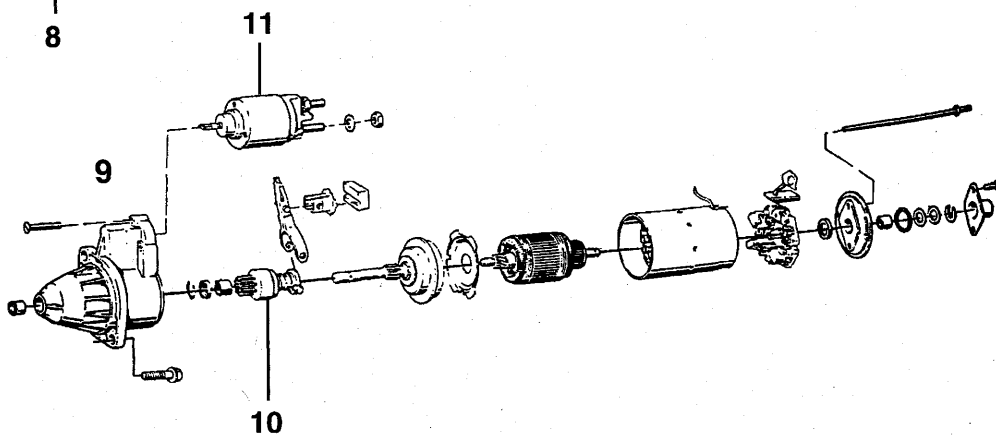
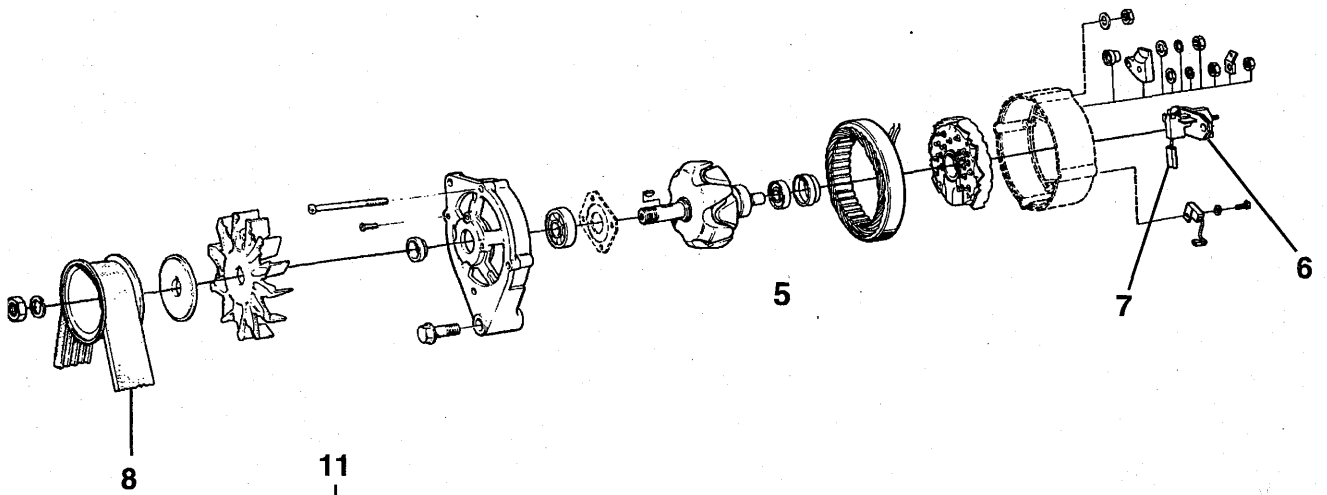
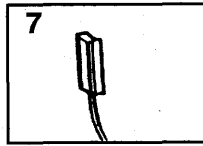
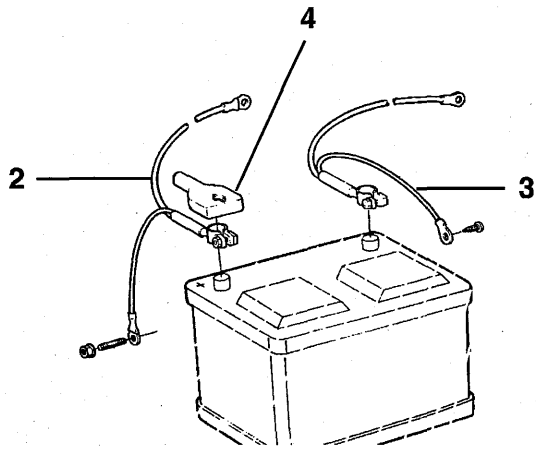


| KEY | DESCRIPTION | PART NUMBER | QTY. | NOTES |
|-----|----------------|-------------|------|----------------|
| 1 | EGR Valve | 87 88 721 | 1 | |
| 2 | Gasket | 75 07 973 | 1 | |
| 3 | Nipple | 91 19 728 | 1 | |
| 4 | Sensor | 91 19 512 | 1 | |
| 5 | EGR Pipe | 75 22 519 | 1 | Turbo |
| 5 | EGR Pipe | 75 69 916 | 1 | Fuel Injection |
| 6 | Nut | 81 45 559 | 2 | |
| 7 | Ferrule | 81 32 235 | 2 | |
| 8 | Nut | 81 31 989 | 2 | |
| 9 | Vacuum Tank | 40 16 101 | 1 | Turbo |
| 9 | Vacuum Tank | 41 59 489 | 1 | Fuel Injection |
| 10 | Timing Valve | 91 19 504 | 1 | |
| 11 | Check Valve | 43 01 669 | 1 | |
| 12 | Delivery Valve | 40 23 701 | 1 | |
| 13 | Check Valve | 43 01 669 | 1 | |
| 14 | Vacuum Hose | 91 36 243 | 1 | |

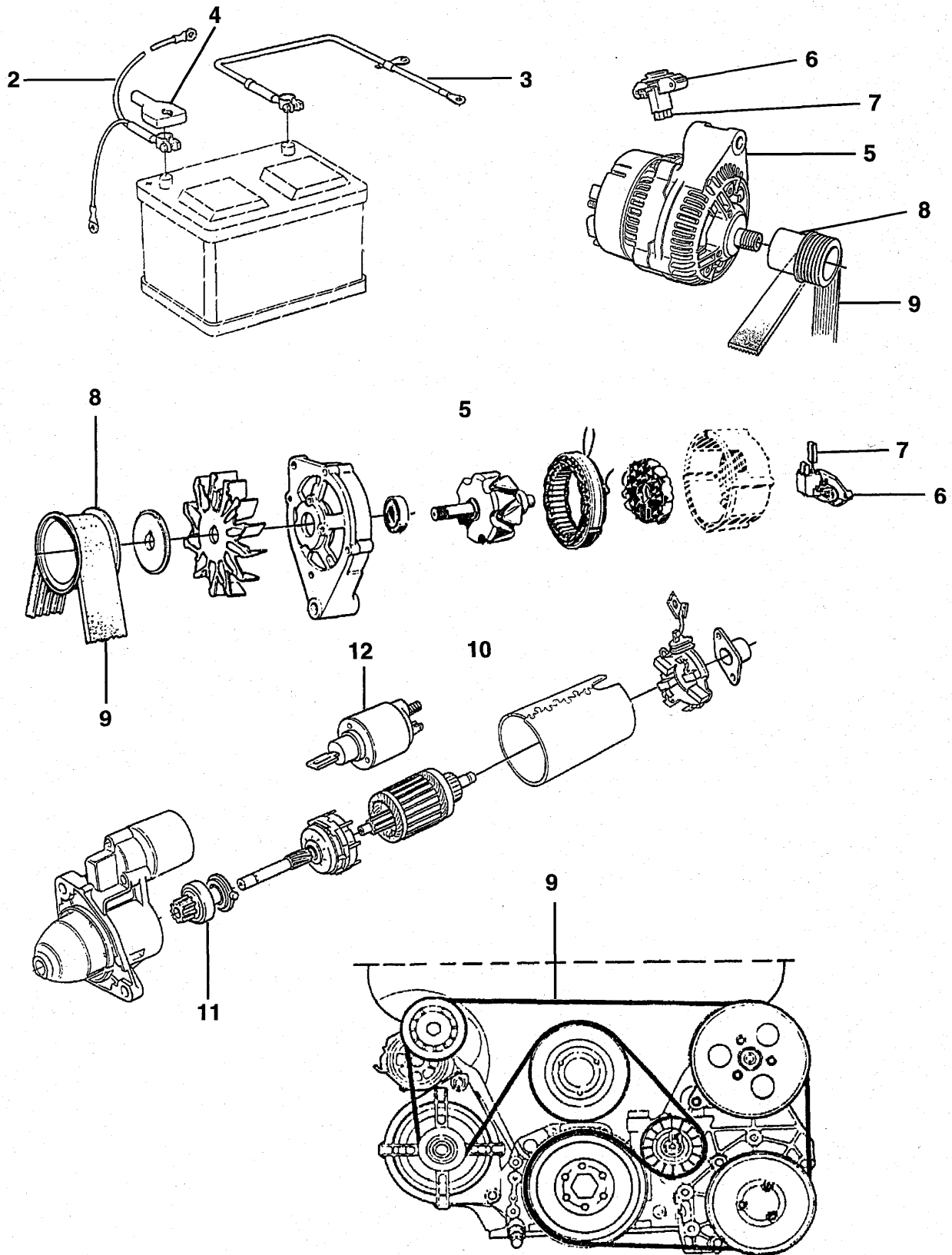


| KEY | DESCRIPTION | PART NUMBER | QTY. | NOTES |
|-----|----------------|-------------|------|------------------|
| 1 | Air Pump | 42 39 083 | 1 | |
| 2 | Rubber Spacer | 42 35 768 | 3 | |
| 3 | Bracket | 43 01 420 | 1 | |
| 4 | Nut | 79 77 929 | 3 | |
| 5 | Vacuum Valve | 43 94 078 | 1 | |
| 6 | Hose | 43 60 707 | 1 | 4 Cylinder |
| 6 | Hose | 43 90 837 | 1 | 6 Cylinder |
| 7 | Shut-Off Valve | 42 28 011 | 1 | |
| 8 | Hose | 43 90 852 | 1 | |
| 9 | Hose Clamp | 79 70 072 | 2 | |
| 10 | Check Valve | 43 01 669 | 1 | |
| 11 | Vacuum Hose | 91 36 243 | X | |
| 12 | Check Valve | 43 60 343 | 1 | 4 Cylinder |
| 13 | Tube | 43 60 681 | 1 | 4 Cylinder |
| 14 | Hose | 43 60 699 | 1 | 4 Cylinder |
| 15 | Hose Clamp | 79 70 072 | 2 | 4 Cylinder |
| 16 | Check Valve | 43 60 343 | 2 | 6 Cylinder |
| 17 | Tube | 43 60 277 | 1 | 6 Cylinder |
| 18 | Gasket | 44 43 230 | 4 | 6 Cylinder |
| 19 | Tube | 43 60 269 | 1 | >1995 6 Cylinder |
| 19 | Tube | 42 39 976 | 1 | 1996> 6 Cylinder |
| 20 | Tube | 43 94 060 | 1 | >1995 6 Cylinder |
| 20 | Tube | 46 62 896 | 1 | 1996> 6 Cylinder |
| 21 | Hose Clamp | 89 43 177 | 2 | 6 Cylinder |
| 22 | Hose | 43 95 190 | 1 | 6 Cylinder |

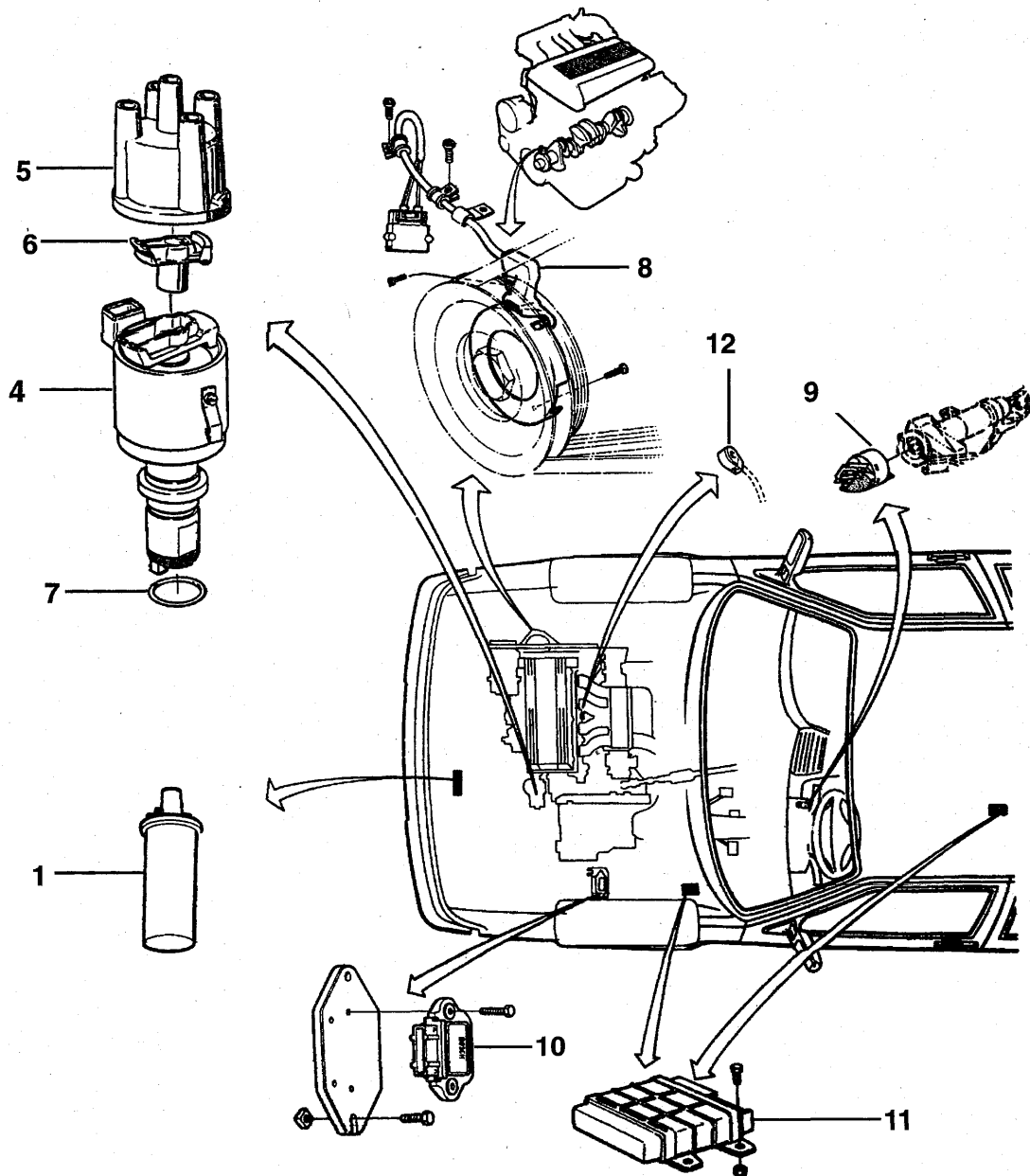
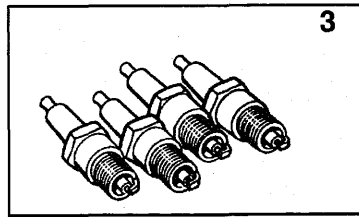
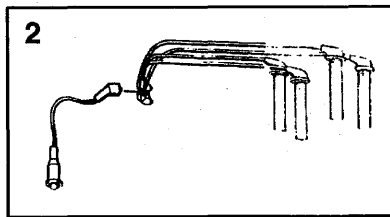
| | Page |
|--|-------|
| Alternator & Starter >1993 | 03-3 |
| Alternator & Starter 1994> | 03-5 |
| Ignition System EZK >1993 | 03-7 |
| Ignition System SAAB DI >1992 | 03-9 |
| Ignition System Trionic 1993> | 03-11 |
| Ignition System Motronic V6 | 03-13 |
| Lighting, Front | 03-15 |
| Lighting, Rear >1993 | 03-19 |
| Lighting, Rear 1994> | 03-21 |
| Other Lights | 03-23 |
| Windshield Wiper & Washer | 03-25 |
| Rear Wiper & Washer 5CS | 03-27 |
| Switches | 03-29 |
| Operating Devices | 03-33 |
| Central Lock, Window Regulator & Sunroof Motor | 03-35 |
| Speed Control, Audio | 03-37 |
| Electronic Control Units (ECU) >1989 | 03-41 |
| Electronic Control Units (ECU) 1990> | 03-43 |
| Relays & Fuses 1986-87 | 03-47 |
| Relays & Fuses 1988-91 | 03-49 |
| Relays & Fuses 1992-94 | 03-51 |
| Relays & Fuses 1995> | 03-55 |
| Instruments >1989 | 03-57 |
| Instruments 1990> | 03-59 |



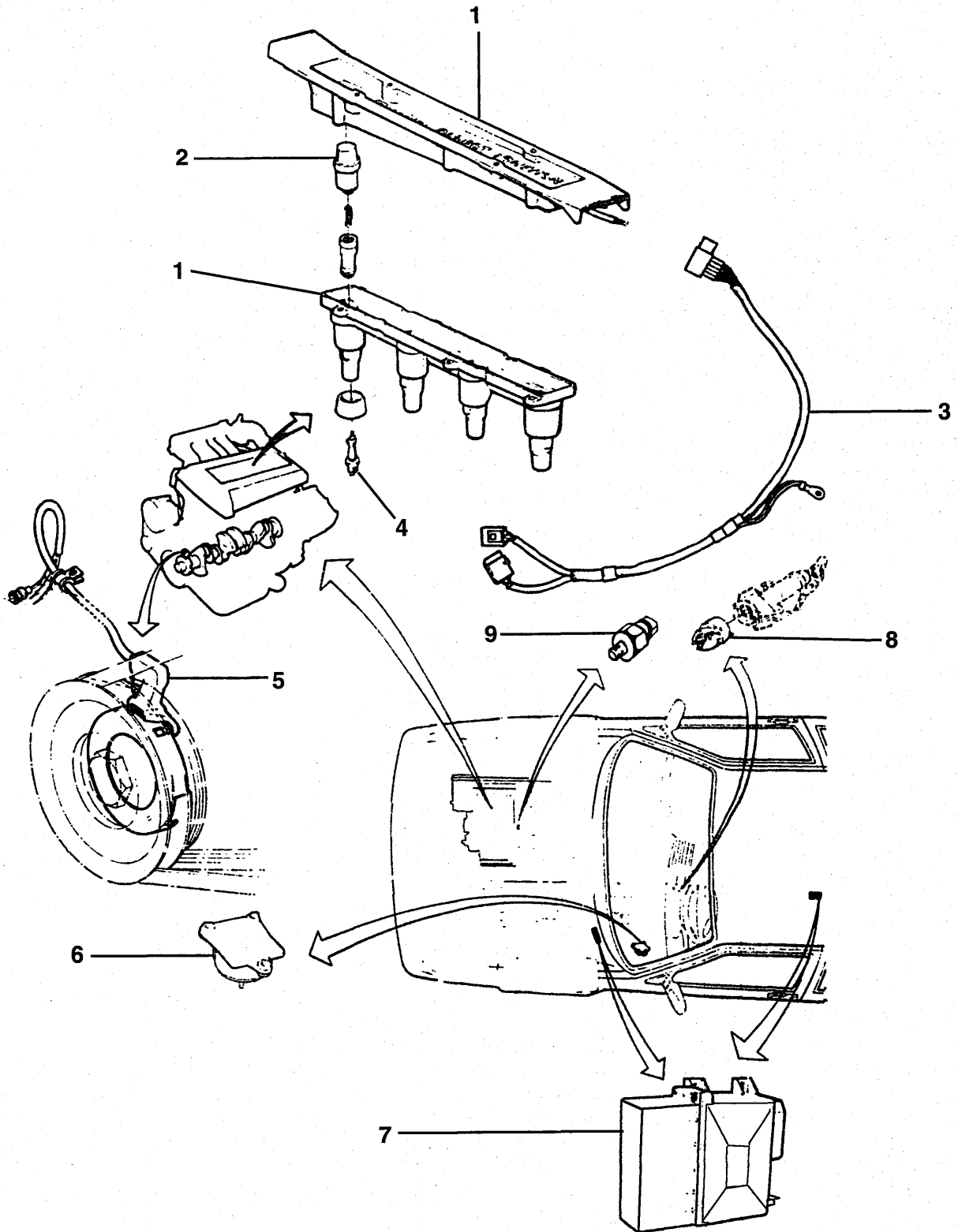
| KEY | DESCRIPTION | PART NUMBER | QTY. | NOTES |
|-----|---------------------------|-------------|------|--|
| 2 | Battery Cable, + | 95 17 384 | 1 | 1986 |
| 2 | Battery Cable, + | 95 24 208 | 1 | 1987> |
| 2 | Battery Cable, + | 49 42 504 | 1 | 1995> |
| 3 | Battery Cable, - | 95 17 392 | 1 | VIN >L1010359, >L2007966 |
| 3 | Battery Cable, - | 40 69 530 | 1 | VIN L1010360>, L2007967> |
| 4 | Cover | 45 82 425 | 1 | 1987> |
| 5 | Alternator Assembly, 80A | 85 45 725 | 1 | >1989 Bosch 0 120 469 644 |
| 5 | Alternator Assembly, 115A | 88 23 395 | 1 | >1989 Bosch 0 120 468 035 |
| 5 | Alternator, 115A | 88 23 395 | 1 | 1990> B202 |
| 5 | Alternator, 115A | 85 48 232 | 1 | B234 |
| 6 | Charging Regulator | 85 90 549 | 1 | VIN >R1006711, 115A Alternator 1990> Included With Alternator |
| 6 | Charging Regulator | 47 37 151 | 1 | 80A Alternator VIN R1006712> Included With Alternator |
| 7 | Brush Set | 95 15 180 | 1 | VIN >R1006711, 115A Alternator 1990> Included With Regulator |
| 8 | Belt | 75 79 881 | 1 | >1989 For 80A Alternator |
| 8 | Belt | 75 96 679 | 1 | >1993 B202 80A & 115A Alternators |
| 8 | Belt | 43 95 455 | 1 | >1993 B234 80A & 115A Alternator |
| 9 | Starter Assembly | 85 45 691 | 1 | >1989 Bosch 0 001 108 012 |
| 9 | Starter Assembly | 88 23 932 | 1 | 1990> B202 |
| 9 | Starter Assembly | 88 26 851 | 1 | B234 >1993 |
| 10 | Starter Drive | 75 27 724 | 1 | >1989 |
| 10 | Starter Drive | 41 60 099 | 1 | 1990> |
| 11 | Starter Solenoid | 75 27 856 | 1 | |



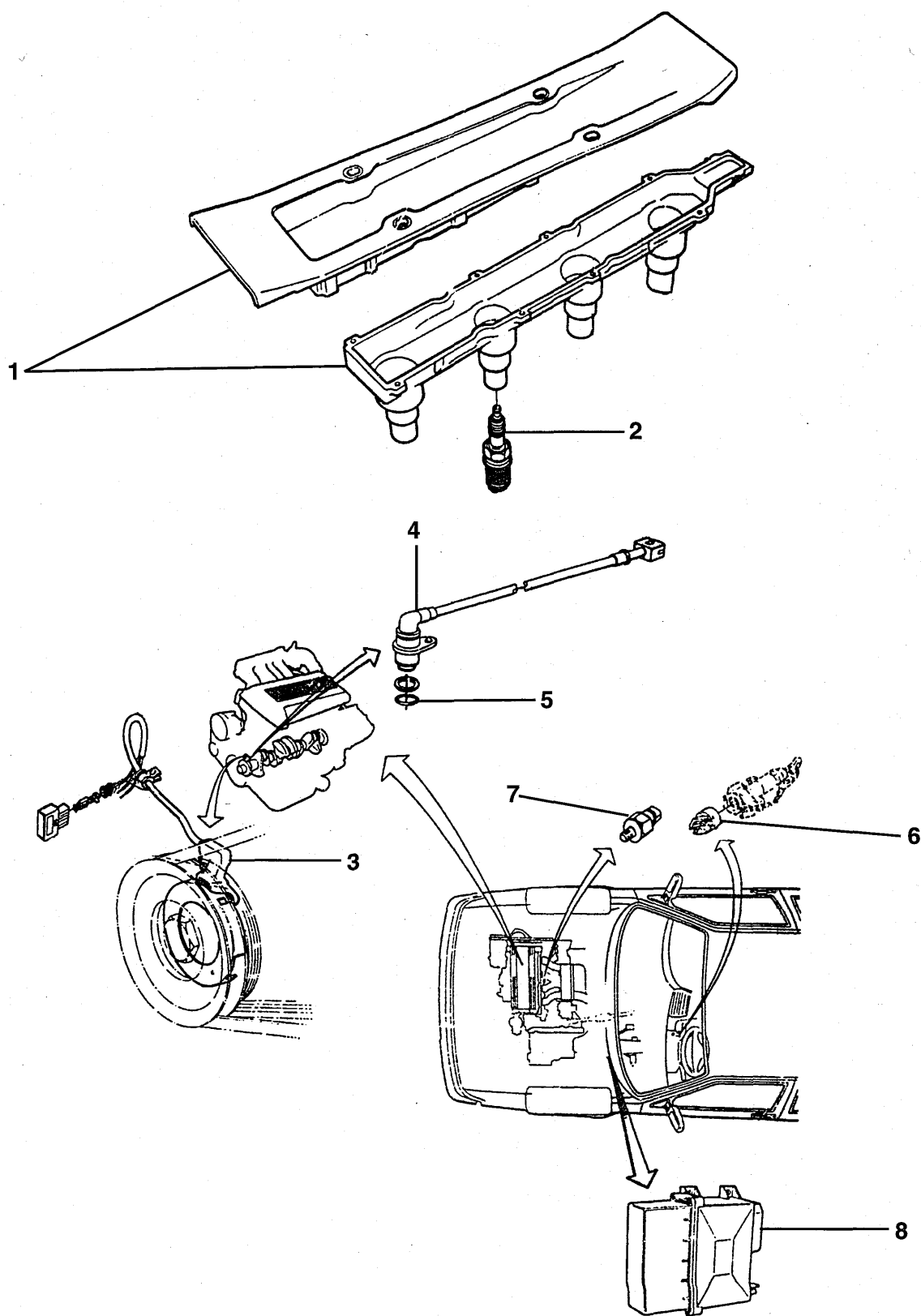
| KEY | DESCRIPTION | PART NUMBER | QTY. | NOTES |
|-----|---------------------------|-------------|------|----------------------------------|
| 2 | Battery Cable, + | 95 24 208 | 1 | 1994 |
| 2 | Battery Cable, + | 49 42 504 | 1 | 1995> |
| 3 | Battery Cable, - | 40 69 530 | 1 | 1994 |
| 3 | Battery Cable, - | 45 36 694 | 1 | 1995 VIN >T1004883 |
| 3 | Battery Cable, - | 47 37 631 | 1 | VIN T1004884> |
| 4 | Cover | 45 82 425 | 1 | |
| 5 | Alternator Assembly, 110A | 47 34 026 | 1 | VIN >S1036359 |
| 6 | Charging Regulator | 47 37 151 | 1 | Included With Alternator |
| 5 | Alternator Assembly, 110A | 47 34 026 | 1 | VIN S1036360> |
| 6 | Charging Regulator | 47 37 151 | 1 | Included With Regulator |
| 8 | Pulley | 44 89 761 | 1 | |
| 9 | Belt | 43 56 903 | 1 | 110A |
| 5 | Alternator Assembly, 115A | 85 48 232 | 1 | 1994 |
| 6 | Charging Regulator | 85 90 549 | 1 | Included With Alternator |
| 7 | Brush Set | 95 15 180 | 1 | Included With Regulator |
| 8 | Pulley | 40 63 475 | 1 | |
| 9 | Belt | 43 95 455 | 1 | 115A |
| 5 | Alternator Assembly, 120A | 85 49 412 | 1 | 1995 |
| 6 | Charging Regulator | 47 37 151 | 1 | Included With Alternator |
| 8 | Pulley | 44 66 900 | 1 | |
| 9 | Belt | 43 95 463 | 1 | V6 |
| 5 | Alternator Assembly, 120A | 85 49 412 | 1 | 1996> |
| 6 | Charging Regulator | 47 37 151 | 1 | Included With Regulator |
| 8 | Pulley | 44 66 900 | 1 | |
| 9 | Belt | 43 95 463 | 1 | V6 |
| 10 | Starter Assembly | 88 28 238 | 1 | 4 Cylinder |
| 10 | Starter Assembly | 88 28 972 | 1 | 6 Cylinder |
| 11 | Starter Drive | 41 60 099 | 1 | 4 Cylinder Included With Starter |
| 11 | Starter Drive | 75 27 724 | 1 | 6 Cylinder Included With Starter |
| 12 | Starter Solenoid | 44 43 776 | 1 | 4 Cylinder Included With Starter |
| 12 | Starter Solenoid | 88 21 993 | 1 | 6 Cylinder Included With Starter |



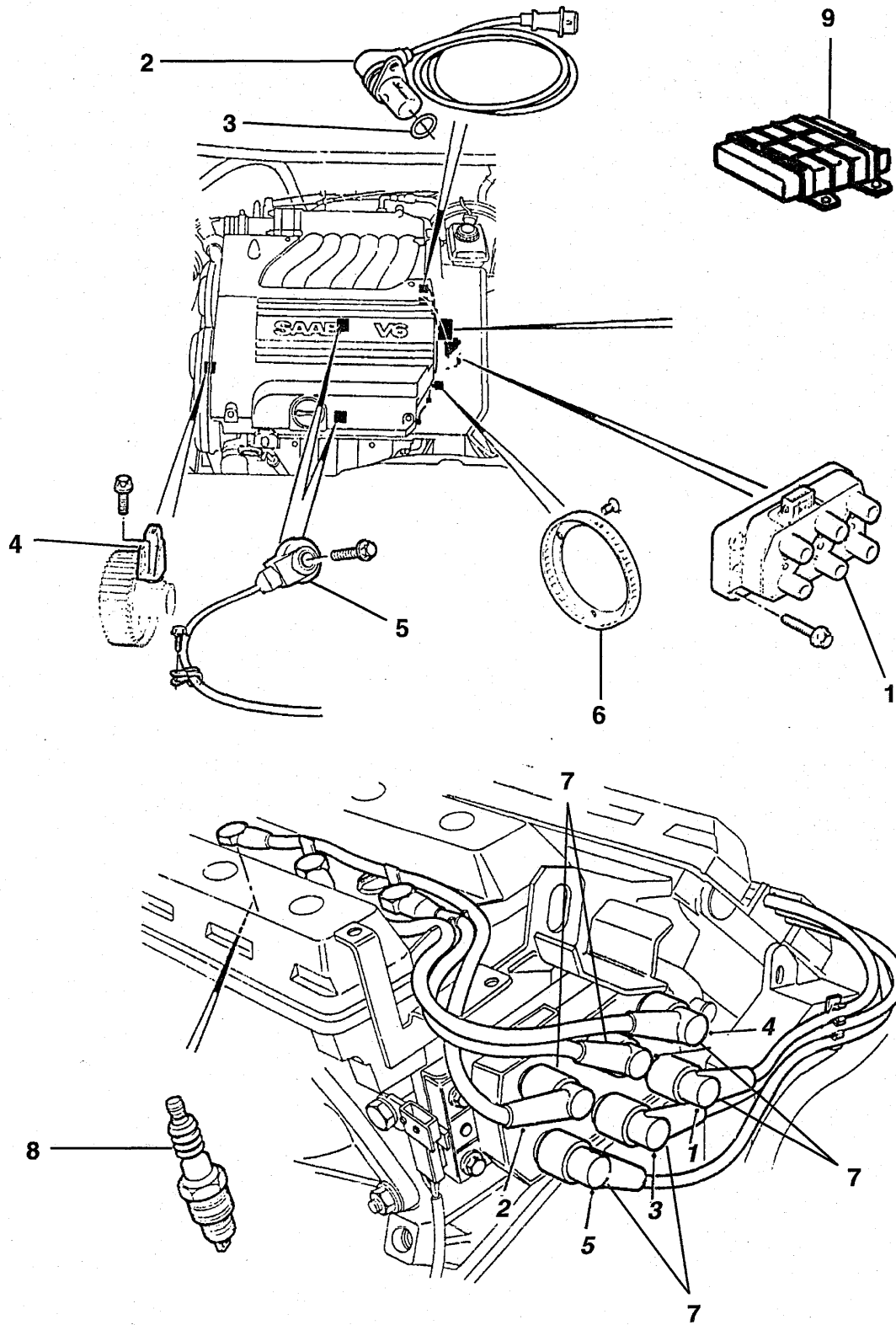
| KEY | DESCRIPTION | PART NUMBER | QTY. | NOTES |
|-----|--|-------------|------|--|
| 1 | Ignition Coil | 85 73 834 | 1 | |
| 2 | Ignition Cable, Set | 88 17 520 | 1 | |
| 3 | Spark Plug, Set, NGK BCP5ES | 02 43 691 | 1 | B202 Fuel Injection >1990 |
| 3 | Spark Plug, Set, NGK BCP6ES | 02 87 037 | 1 | >1989 |
| 3 | Spark Plug, Set, NGK BCP6EV | 02 72 286 | 1 | >1989 |
| 3 | Spark Plug, Set, NGK BCP7ES | 02 87 029 | 1 | >1989 |
| 3 | Spark Plug, Set, NGK BCP7EV | 02 72 336 | 1 | >1989 |
| 3 | Spark Plug, Set, NGK BCPR6ES | 02 44 772 | 1 | 1990> Fuel Injection |
| 3 | Spark Plug, Set, NGK BCPR7ES | 02 44 459 | 1 | 1990> Turbo |
| 4 | Distributor Assembly, Bosch 0 237 507 007 | 74 81 393 | 1 | Turbo ENG. >J088764 Requires 85 79 955, 85 93 907 |
| 4 | Distributor Assembly, Bosch 0 237 507 008 | 74 81 393 | 1 | Turbo ENG. J088765> |
| 4 | Distributor Assembly | 75 61 798 | 1 | >1987 Fuel Injection B202 N/A |
| 4 | Distributor Assembly, Bosch 0 237 503 013 | 74 81 385 | 1 | 1988 Fuel Injection |
| 4 | Distributor Assembly, Bosch 0 237 501 010 | 74 84 439 | 1 | 1989-90 Fuel Injection |
| 5 | Distributor Cap | 75 01 216 | 1 | Included With Distributor |
| 6 | Distributor Rotor | 75 64 420 | 1 | Included With Distributor |
| 7 | O-Ring Distributor Rebuilt Kit | 91 76 470 | 1 | Included With Distributor See Your SAAB Dealer |
| 8 | Crankshaft Sensor | 74 82 540 | 1 | 1989> |
| 9 | Ignition Switch | 40 85 783 | 1 | |
| 10 | Power Stage | 93 90 220 | 1 | Turbo >1989 |
| 10 | Power Stage | 40 23 149 | 1 | Fuel Injection & All 1990> |
| 11 | Electronic Unit EZK | 88 26 448 | 1 | >1987 |
| 11 | Electronic Unit EZK | 88 26 455 | 1 | 1988 |
| 11 | Electronic Unit EZK | 88 26 463 | 1 | 1989> |
| 12 | Knock Sensor | 75 68 801 | 1 | |



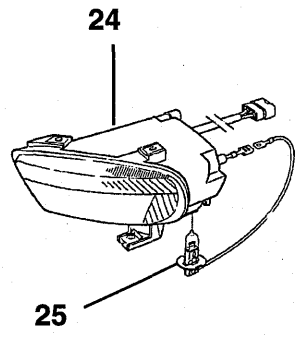
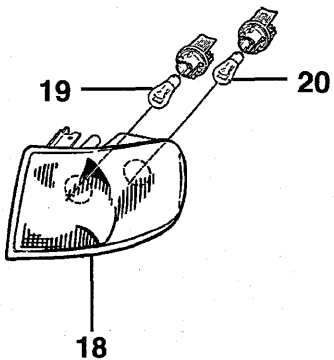
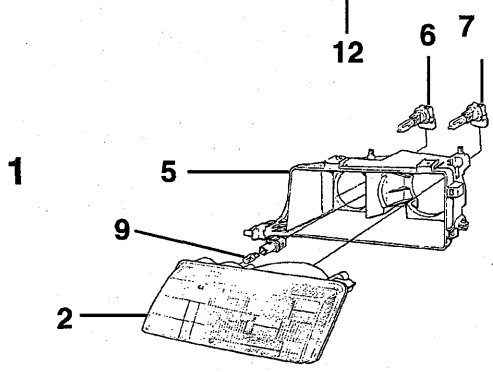
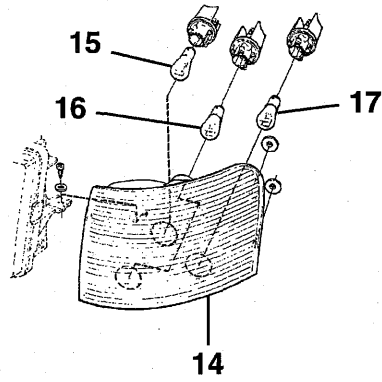
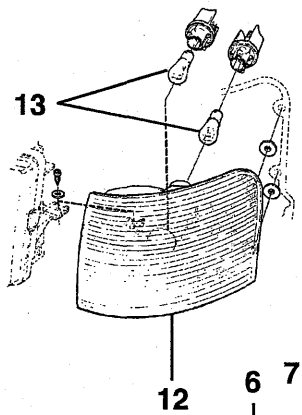
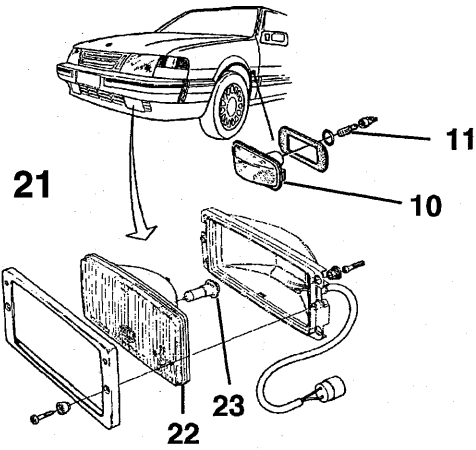
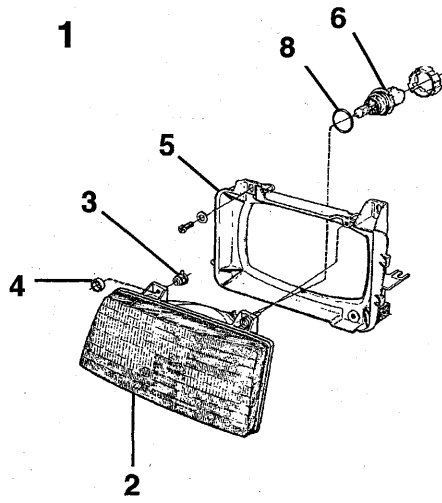
| KEY | DESCRIPTION | PART NUMBER | QTY. | NOTES |
|-----|------------------------------|-------------|------|----------------------------------|
| 1 | Ignition Cassette | 91 78 955 | 1 | >1992 Requires harness 93 21 787 |
| 2 | Ignition Coil | 75 89 815 | 4 | Included With Cassette |
| 3 | Harness | 93 21 787 | 1 | |
| 4 | Spark Plug, Set, NGK BCP5ES | 02 43 691 | 1 | B202 Fuel Injection >1990 |
| 4 | Spark Plug, Set, NGK BCPR6ES | 02 44 772 | 1 | 1990> Fuel Injection |
| 4 | Spark Plug, Set, NGK BCPR7ES | 02 44 459 | 1 | 1990> Turbo |
| 5 | Crankshaft Sensor | 74 82 540 | 1 | B202 |
| 5 | Crankshaft Sensor | 87 86 246 | 1 | B234 >1991 |
| 5 | Crankshaft Sensor | 91 30 493 | 1 | B234 1992 |
| 6 | Sensor | 75 38 697 | 1 | 1990 |
| 7 | Electronic Unit | 88 26 612 | 1 | 1990 B202 |
| 7 | Electronic Unit | 88 28 212 | 1 | B234 Turbo Manual Trans. |
| 7 | Electronic Unit | 88 28 220 | 1 | B234 Turbo Auto. Trans. |
| 7 | Electronic Unit | 88 26 653 | 1 | B234 Fuel Injection 1990 |
| 7 | Electronic Unit | 88 27 123 | 1 | B234 Fuel Injection 1991> |
| 8 | Ignition Switch | 40 85 783 | 1 | |
| 9 | Knock Sensor | 75 68 801 | 1 | |



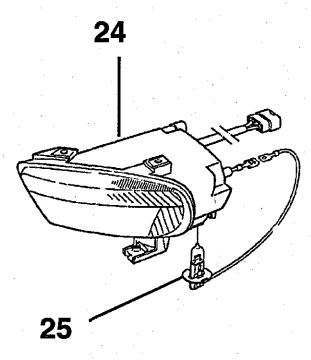
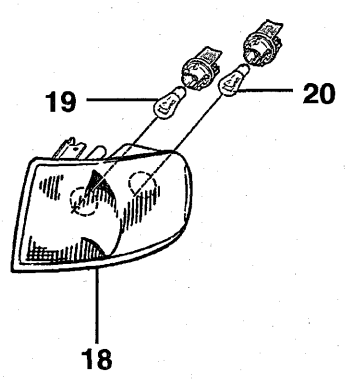
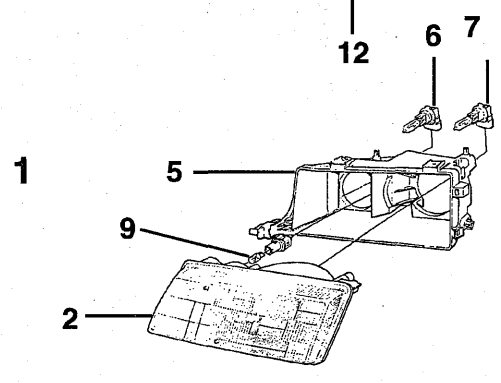
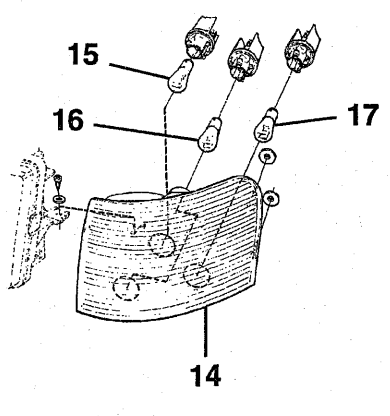
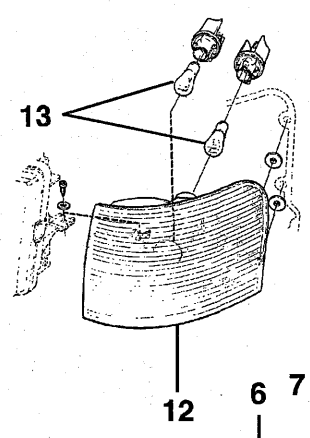
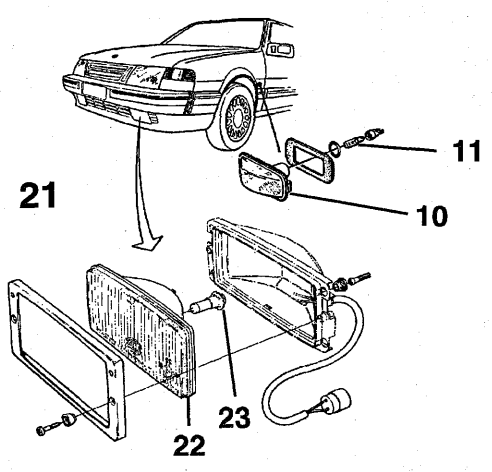
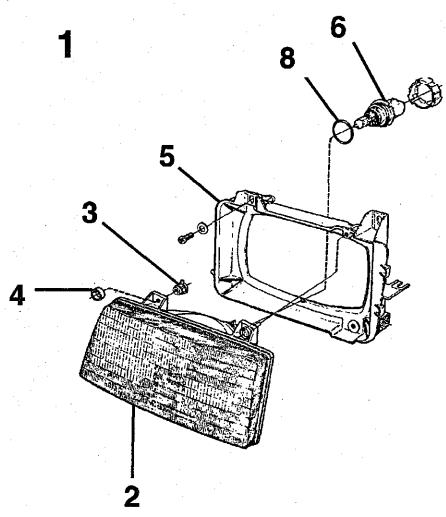
| KEY | DESCRIPTION | PART NUMBER | QTY. | NOTES |
|-----|------------------------------|-------------|------|--|
| 1 | Ignition Cassette | 91 78 955 | 1 | |
| 2 | Spark Plug, Set, NGK BCPR6ES | 02 44 772 | 1 | Fuel Injection |
| 2 | Spark Plug, Set, NGK BCPR7ES | 02 44 459 | 1 | Turbo |
| 3 | Crankshaft Sensor | 91 30 493 | 1 | B234 1993 |
| 4 | Tachometer Sensor | 42 27 203 | 1 | 1994> |
| 5 | O-Ring | 91 71 117 | 1 | Included With Sensor |
| 6 | Ignition Switch | 40 85 783 | 1 | |
| 7 | Knock Sensor | 75 85 755 | 1 | |
| 8 | Electronic Unit | 88 28 170 | 1 | 1993 B234L |
| 8 | Electronic Unit | 88 28 196 | 1 | 1993 B234R, TCS |
| 8 | Electronic Unit | 88 28 527 | 1 | 1993 B234R |
| 8 | Electronic Unit | 88 28 550 | 1 | 1994 B234I |
| 8 | Electronic Unit | 43 01 313 | 1 | 1994 B234I SAI |
| 8 | Electronic Unit | 88 28 584 | 1 | 1994 B234L |
| 8 | Electronic Unit | 88 28 733 | 1 | 1994 B234R (No TCS) |
| 8 | Electronic Unit | 88 28 600 | 1 | 1994 B234R, TCS |
| 8 | Electronic Unit | 46 10 085 | 1 | 1995> B234E |
| 8 | Electronic Unit | 46 10 093 | 1 | 1995> B234L & Aero Auto. Trans. |
| 8 | Electronic Unit | 46 10 796 | 1 | 1995 B234R (No TCS) |
| 8 | Electronic Unit | 46 10 101 | 1 | 1995> B234R, TCS Aero Manual Trans. |
| 8 | Electronic Unit | 88 28 543 | 1 | 1996 B234E |
| 8 | Electronic Unit | 88 28 592 | 1 | 1996 B234L/R Auto. Trans. |
| 8 | Electronic Unit | 88 28 618 | 1 | 1996 B234R |
| 8 | Electronic Unit | 46 11 356 | 1 | 1997> B234E |
| 8 | Electronic Unit | 46 11 364 | 1 | 1997> B234L |
| 8 | Electronic Unit | 46 11 372 | 1 | 1997> B234R |



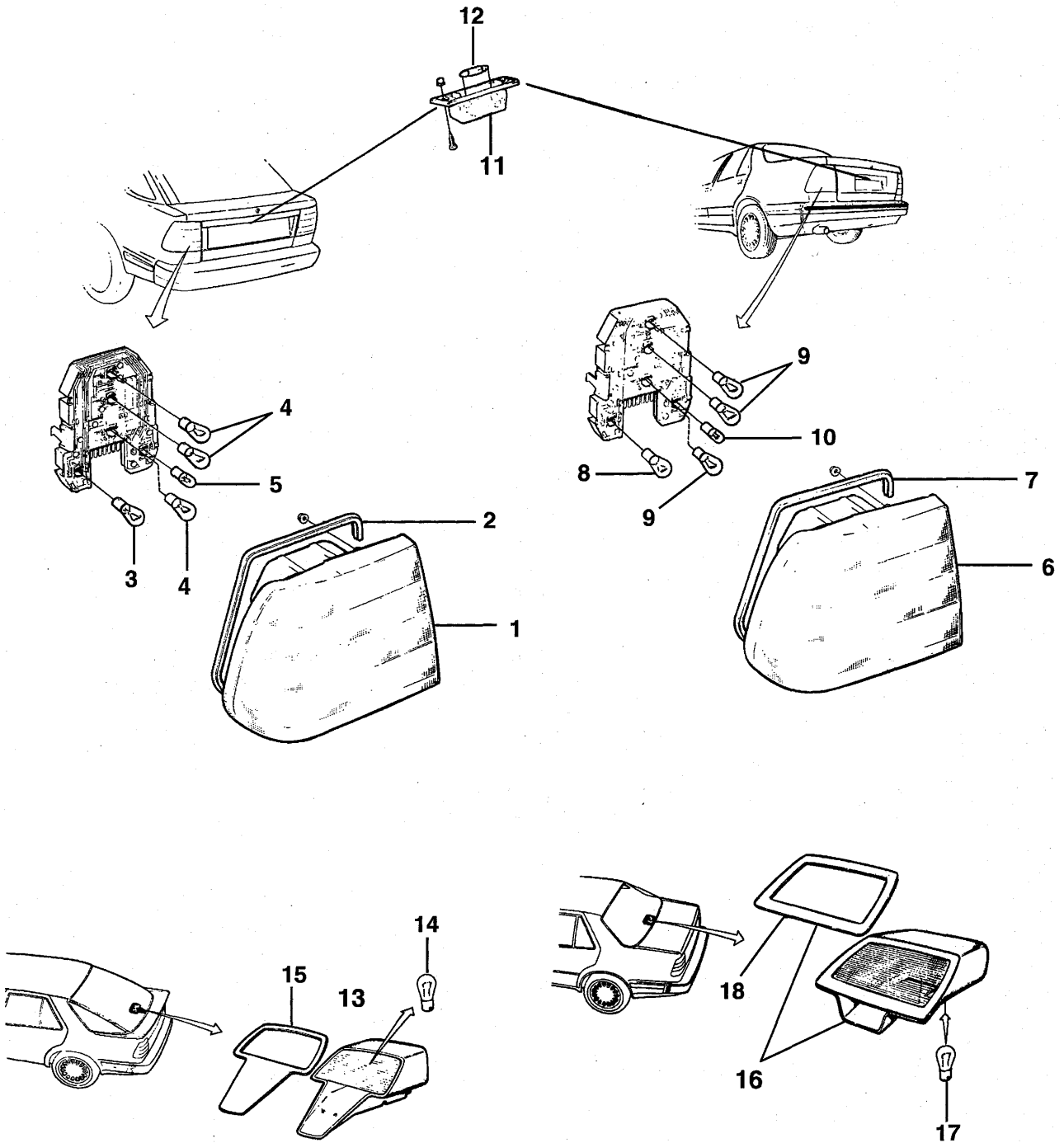
| KEY | DESCRIPTION | PART NUMBER | QTY. | NOTES |
|-----|---------------------------------------|-------------|------|--------------------------|
| 1 | Ignition Coil | 47 70 046 | 1 | 1995 |
| 1 | Ignition Coil | 47 70 210 | 1 | 1996> |
| 2 | Sensor, CKP | 43 00 737 | 1 | |
| 3 | O-Ring | 91 71 117 | 1 | Included With Sensor |
| 4 | Crankshaft Position Sensor | 47 70 079 | 1 | 1995 |
| 4 | Crankshaft Position Sensor | 46 60 452 | 1 | 1996> |
| 5 | Knock Sensor | 88 22 595 | 2 | >1995 |
| 5 | Knock Sensor | 43 00 729 | 2 | 1996> |
| 6 | Aperture Disc | 45 01 185 | 1 | Included With Crankshaft |
| 7 | Ignition Cable, Kit, 1, 2, 3, 4, 5, 6 | 88 21 951 | X | |
| 7 | Ignition Cable, Kit, 1, 3, 5 | 47 70 194 | X | |
| 7 | Ignition Cable, Kit, 2, 4, 6 | 47 70 178 | X | |
| 8 | Spark Plug, FR8LDC | 44 44 741 | 6 | |
| 9 | Electronic Unit | 46 10 010 | 1 | >1995 |
| 9 | Electronic Unit | 46 10 788 | 1 | 1996 |
| 9 | Electronic Unit | 46 11 380 | 1 | 1997> |



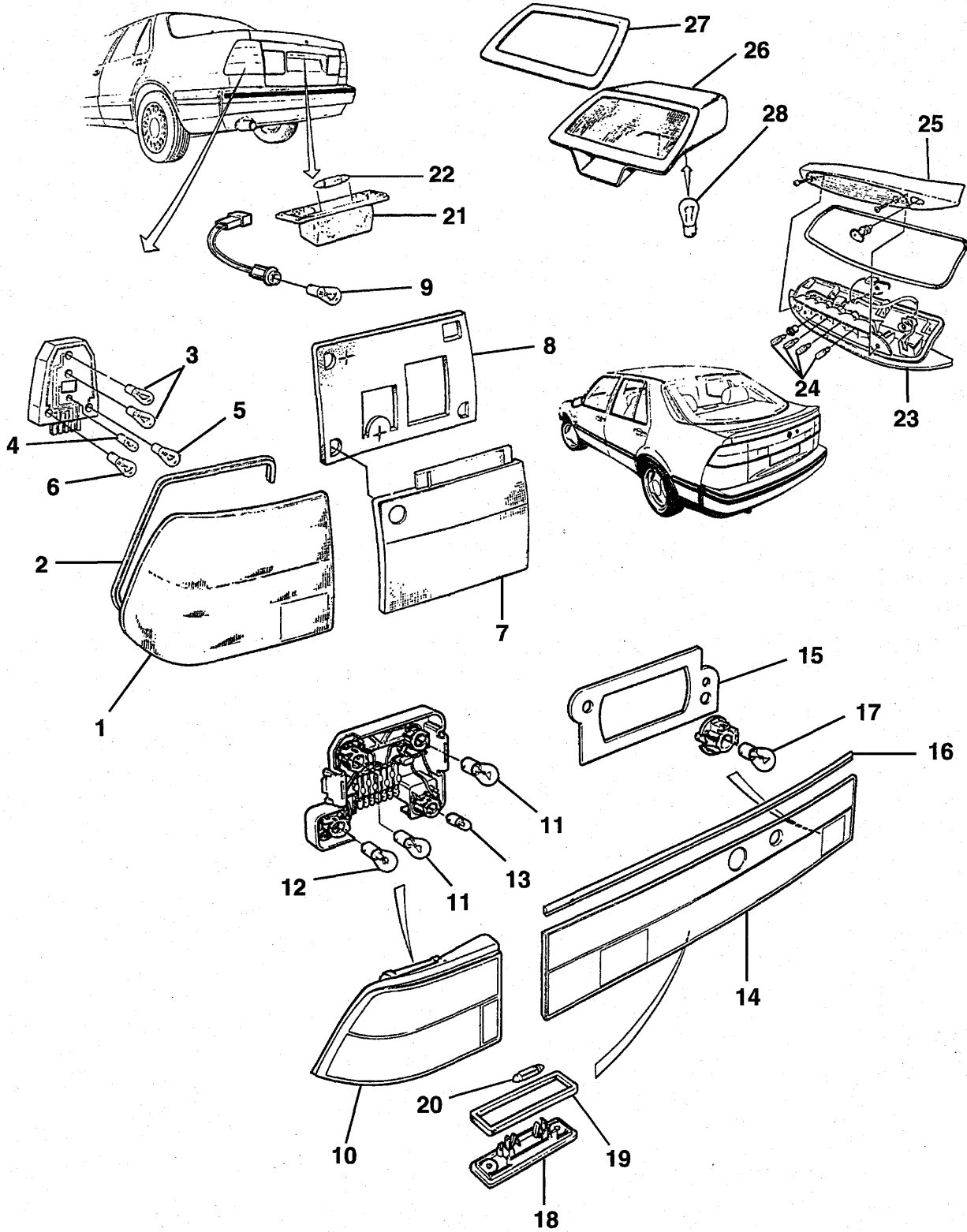
| KEY | DESCRIPTION | PART NUMBER | QTY. | NOTES |
|-----|------------------------|-------------|------|--|
| 1 | Headlight Assembly, LH | 91 22 672 | 1 | 5D >1990 |
| 1 | Headlight Assembly, RH | 91 22 680 | 1 | 5D >1990 |
| 1 | Headlight Assembly, LH | 95 21 352 | 1 | 4D >1994 & 5D 1991> |
| 1 | Headlight Assembly, RH | 95 21 360 | 1 | 4D >1994 & 5D 1991> |
| 1 | Headlight Assembly, LH | 90 82 892 | 1 | 5CS & 4D 1995> |
| 1 | Headlight Assembly, RH | 90 82 900 | 1 | 5CS & 4D 1995> |
| 2 | Headlight Insert, LH | 91 22 698 | 1 | 5D >1990 Included With Assembly |
| 2 | Headlight Insert, RH | 91 22 706 | 1 | 5D >1990 Included With Assembly |
| 2 | Headlight Insert, LH | 95 21 774 | 1 | 4D >1994 & 5D 1991> Included With Assembly |
| 2 | Headlight Insert, RH | 95 21 782 | 1 | 4D >1994 & 5D 1991> Included With Assembly |
| 2 | Headlight Insert, LH | 90 84 112 | 1 | 5CS & 4D 1995> Included With Assembly |
| 2 | Headlight Insert, RH | 90 84 120 | 1 | 5CS & 4D 1995> Included With Assembly |
| 3 | Bearing Sleeve | 95 12 328 | 6 | 5D >1990 Included With Insert |
| 3 | Bearing Sleeve | 95 26 484 | 6 | 4D >1994 & 5D 1991> Included With Insert |
| 4 | Adapter Sleeve | 95 13 037 | 6 | 5D >1990 Included With Insert |
| 5 | Mounting Frame, LH | 95 13 078 | 1 | 5D >1990 Included With Assembly |
| 5 | Mounting Frame, RH | 95 13 086 | 1 | 5D >1990 Included With Assembly |
| 5 | Mounting Frame, LH | 95 21 816 | 1 | 4D >1994 & 5D 1991> Included With Assembly |
| 5 | Mounting Frame, RH | 95 21 824 | 1 | 4D >1994 & 5D 1991> Included With Assembly |
| 5 | Mounting Frame, LH | 90 84 179 | 1 | 5CS & 4D 1995> Included With Assembly |
| 5 | Mounting Frame, RH | 90 84 187 | 1 | 5CS & 4D 1995> Included With Assembly |
| 6 | Bulb | 02 44 327 | 2 | 4D >1994 & 5D Included With Assembly |
| 6 | Bulb | 40 89 264 | 1 | 5CS & 4D 1995> Included With Assembly |
| 7 | Bulb | 40 89 272 | 1 | 5CS & 4D 1995> Included With Assembly |
| 8 | O-Ring | 95 14 811 | 2 | 5D >1990 |
| 9 | Bulb | 71 57 308 | 1 | 1993> >1994 |
| 9 | Bulb | 95 12 880 | 1 | 5CS & 4D 1995> >1998 |



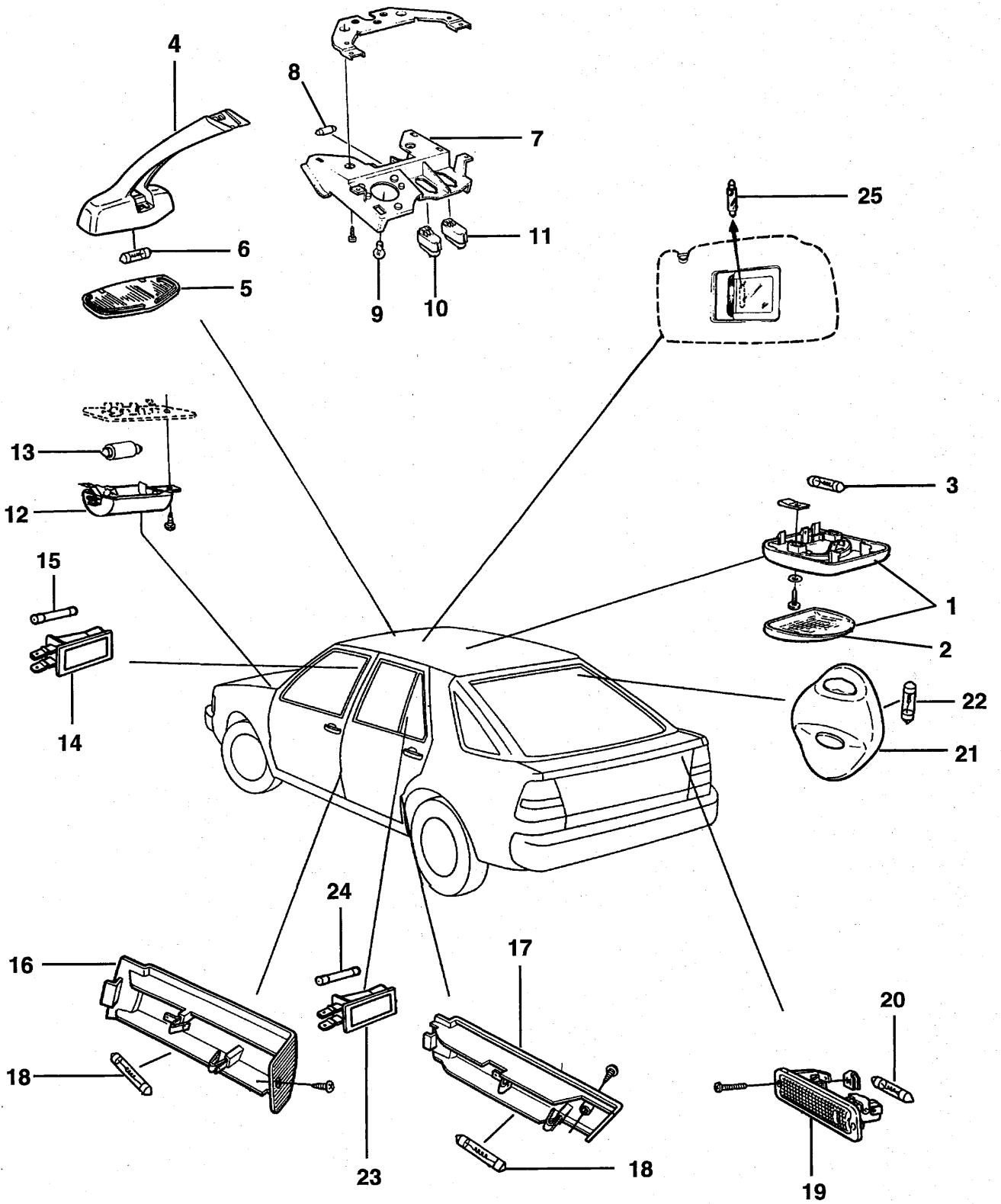
| KEY | DESCRIPTION | PART NUMBER | QTY. | NOTES |
|-----|------------------------------|-------------|------|---|
| 10 | Side Direct, Indicator Light | 91 24 132 | 2 | |
| 11 | Bulb | 95 12 880 | 4 | |
| 12 | Combination Light, LH | 91 21 815 | 1 | 5D 1988-90 |
| 12 | Combination Light, RH | 91 21 823 | 1 | 5D 1988-90 |
| 13 | Bulb | 85 32 756 | 2 | 5D >1990 |
| 14 | Combination Light, LH | 42 52 292 | 1 | 4D >1994 & 5D 1991> |
| 14 | Combination Light, RH | 42 52 300 | 1 | 4D >1994 & 5D 1991> |
| 15 | Bulb, Direction Light | 85 32 756 | 1 | 4D >1994 & 5D Included With Light |
| 16 | Bulb, Position Light | 85 32 756 | 1 | 4D >1994 & 5D Included With Light |
| 17 | Bulb, Side Back-Up Light | 85 35 692 | 1 | 4D >1994 & 5D Included With Light |
| 18 | Combination Light, LH | 43 44 057 | 1 | 5CS & 4D 1995> |
| 18 | Combination Light, RH | 43 44 065 | 1 | 5CS & 4D 1995> |
| 19 | Bulb | 85 32 756 | 1 | Included With Light |
| 20 | Bulb | 85 35 692 | 1 | Included With Light |
| 21 | Fog Light | 02 72 427 | 2 | 5D >1989 |
| 21 | Fog Light | 95 29 900 | 2 | 4D >1994 & 5D 1990> |
| 22 | Insert | 02 80 560 | 1 | 5D >1989 Included With Light |
| 22 | Insert | 95 29 884 | 1 | 4D >1994 & 5D 1990> Included With Light |
| 23 | Bulb | 85 29 109 | 1 | |
| 24 | Fog Light, LH | 40 14 312 | 1 | 5CS & 4D 1995> |
| 24 | Fog Light, RH | 40 14 320 | 1 | 5CS & 4D 1995> |
| 25 | Bulb | 85 29 109 | 1 | 5CS & 4D 1995 |
| 25 | Bulb | 46 85 319 | 1 | 1996> |



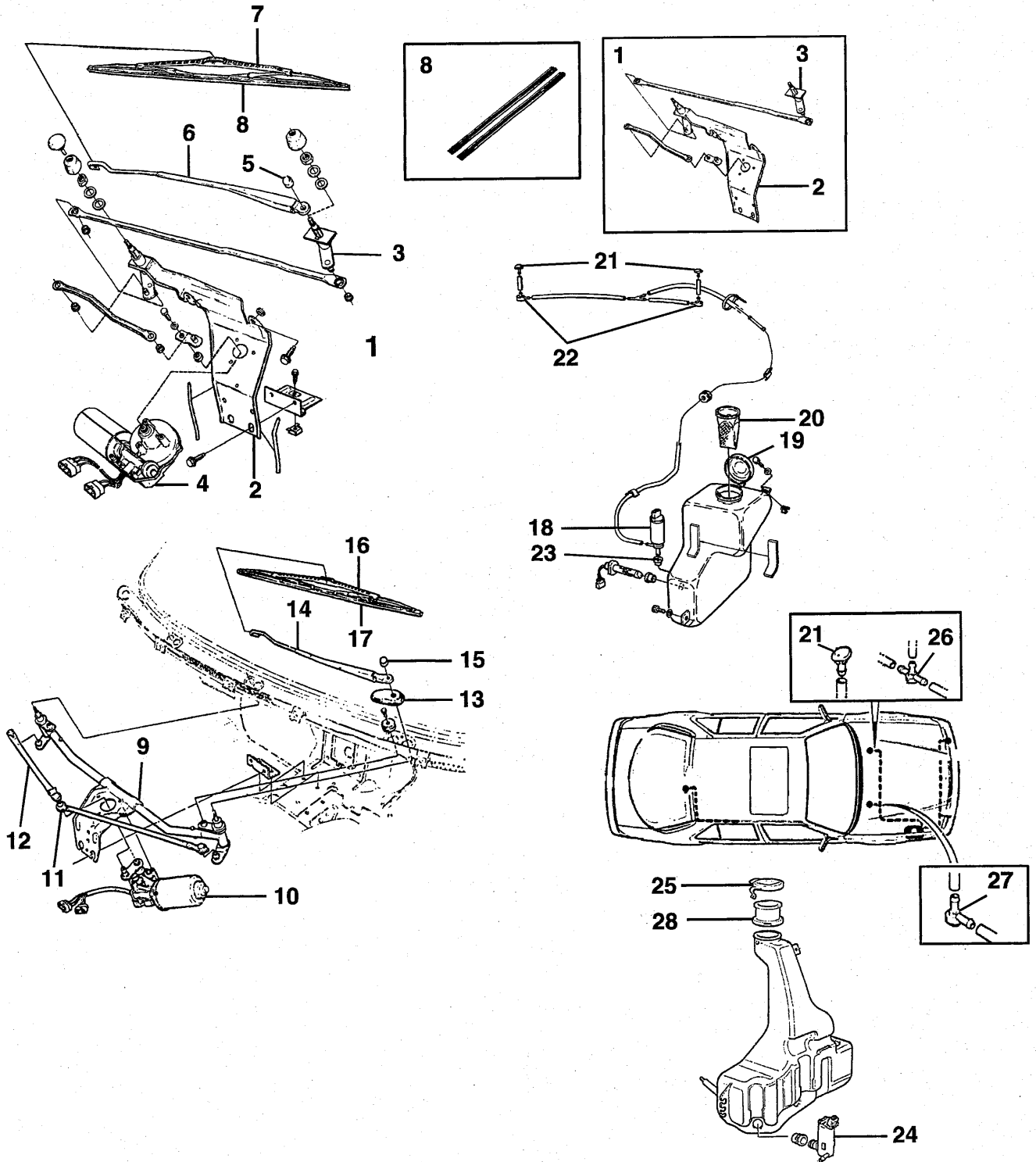
| KEY | DESCRIPTION | PART NUMBER | QTY. | NOTES |
|-----|---------------------|-------------|------|---------------------|
| 1 | Tail Light, LH | 95 18 895 | 1 | 5D |
| 1 | Tail Light, RH | 95 18 903 | 1 | 5D |
| 2 | Seal | 95 01 628 | 2 | Included With Light |
| 3 | Bulb | 85 32 756 | 2 | 5D |
| 4 | Bulb | 85 35 692 | 6 | 5D |
| 5 | Bulb | 71 54 727 | 2 | 5D |
| 6 | Tail Light, LH | 91 23 159 | 1 | 4D |
| 6 | Tail Light, RH | 91 23 167 | 1 | 4D |
| 7 | Seal | 95 22 616 | 2 | Included With Light |
| 8 | Bulb | 85 32 756 | 2 | 4D |
| 9 | Bulb | 85 35 692 | 6 | 4D |
| 10 | Bulb | 71 54 727 | 2 | 4D |
| 11 | License Plate Light | 95 01 693 | 2 | 5D |
| 11 | License Plate Light | 95 26 567 | 2 | 4D |
| 12 | Bulb | 70 84 197 | 1 | Included With Light |
| 13 | Stop Light Assembly | 95 67 223 | 1 | 5D |
| 14 | Bulb | 85 35 692 | 1 | Included With Light |
| 15 | Seal | 95 14 233 | 1 | Included With Light |
| 16 | Stop Light Assembly | 43 41 194 | 1 | 4D |
| 17 | Bulb | 85 35 692 | 1 | Included With Light |
| 18 | Seal | 95 51 953 | 1 | Included With Light |



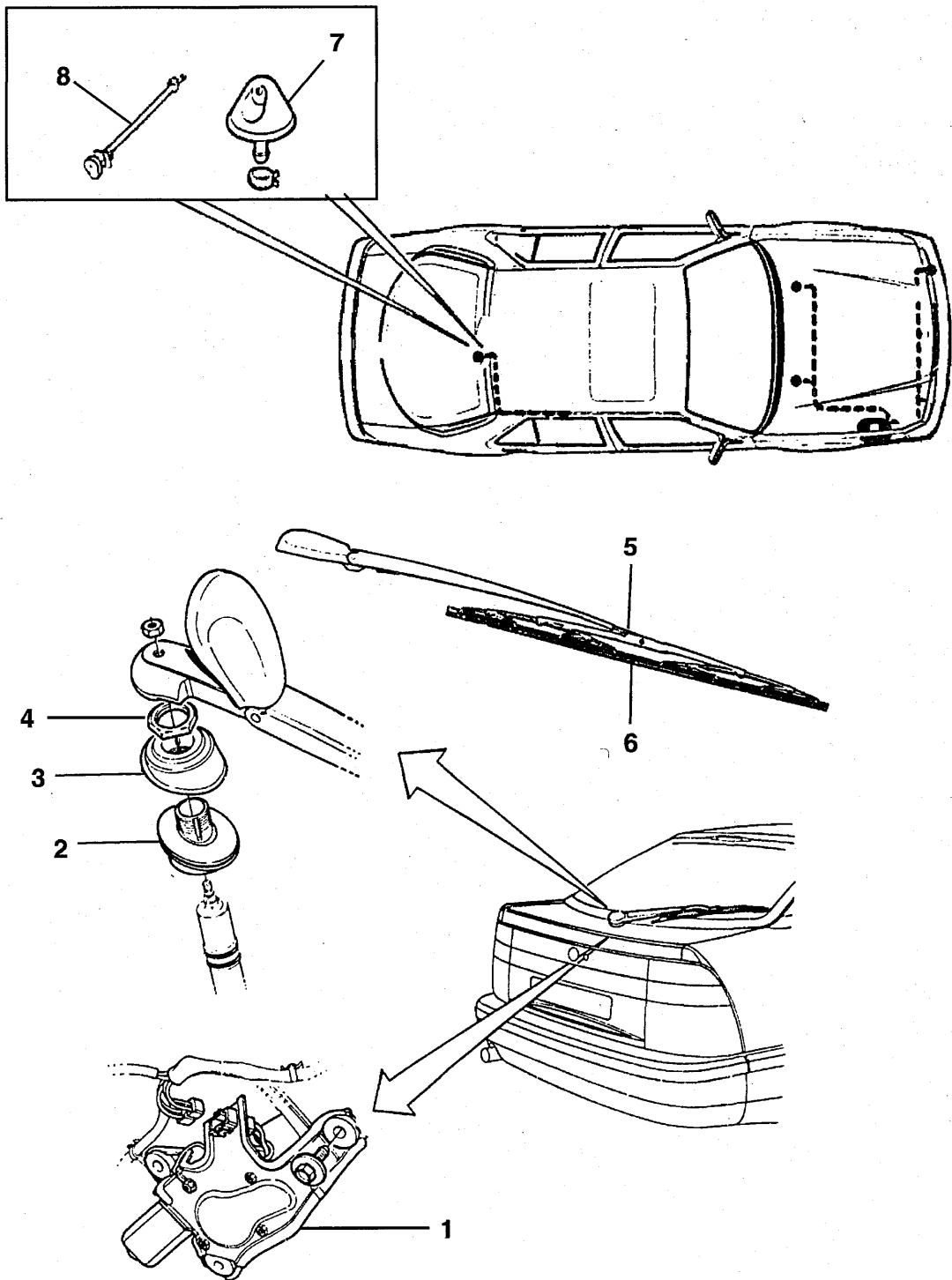
| KEY | DESCRIPTION | PART NUMBER | QTY. | NOTES |
|-----|---------------------------|-------------|------|-------------------------|
| 1 | Tail Light, LH | 45 21 696 | 1 | 4D 1995> |
| 1 | Tail Light, RH | 45 21 704 | 1 | 4D 1995> |
| 2 | Seal | 45 21 753 | 2 | 4D 1995> |
| 3 | Bulb | 44 68 930 | 4 | 4D 1995> |
| 4 | Bulb | 85 52 325 | 5 | 4D 1995> |
| 5 | Bulb | 85 35 692 | 2 | 4D 1995> |
| 6 | Bulb | 85 32 756 | 2 | 4D 1995> |
| 7 | Decor Panel, LH | 43 43 919 | 1 | 4D 1995> |
| 7 | Decor Panel, RH | 43 43 927 | 1 | 4D 1995> |
| 8 | Seal, LH | 45 21 837 | 1 | Included With Light |
| 8 | Seal, RH | 45 21 845 | 1 | Included With Light |
| 9 | Bulb | 71 54 719 | 1 | Included With Light |
| 10 | Tail Light, LH | 90 85 358 | 1 | 5CS |
| 10 | Tail Light, RH | 90 85 366 | 1 | 5CS |
| 11 | Bulb | 85 35 692 | 4 | 5CS |
| 12 | Bulb | 85 32 756 | 2 | 5CS |
| 13 | Bulb | 85 52 325 | 2 | 5CS |
| 14 | Decor Panel | 48 30 865 | 1 | 5CS |
| 15 | Seal | 90 86 240 | 2 | Included With Panel |
| 16 | Seal | 43 80 382 | 1 | Included With Panel |
| 17 | Bulb | 71 54 719 | 2 | Included With Panel |
| 18 | Lens, License Plate Light | 85 49 537 | 2 | 5CS Included With Panel |
| 19 | Seal | 90 86 281 | 2 | 5CS Included With Panel |
| 20 | Bulb | 70 84 197 | 2 | 5CS Included With Panel |
| 21 | License Plate Light | 95 26 567 | 2 | 4D |
| 22 | Bulb | 70 84 197 | 1 | Included With Light |
| 23 | Stop Light Assembly | 40 14 429 | 1 | 5CS |
| 24 | Bulb | 95 12 880 | 4 | Included With Light |
| 25 | Lens | 46 73 281 | 1 | 5CS |
| 26 | Stop Light Assembly | 43 41 194 | 1 | 4D VIN >S1031661 |
| 26 | Stop Light Assembly | 46 73 299 | 1 | 4D VIN S1031662> |
| 27 | Seal | 95 51 953 | 1 | 4D Included With Light |
| 28 | Bulb | 85 35 692 | 1 | 4D Included With Light |



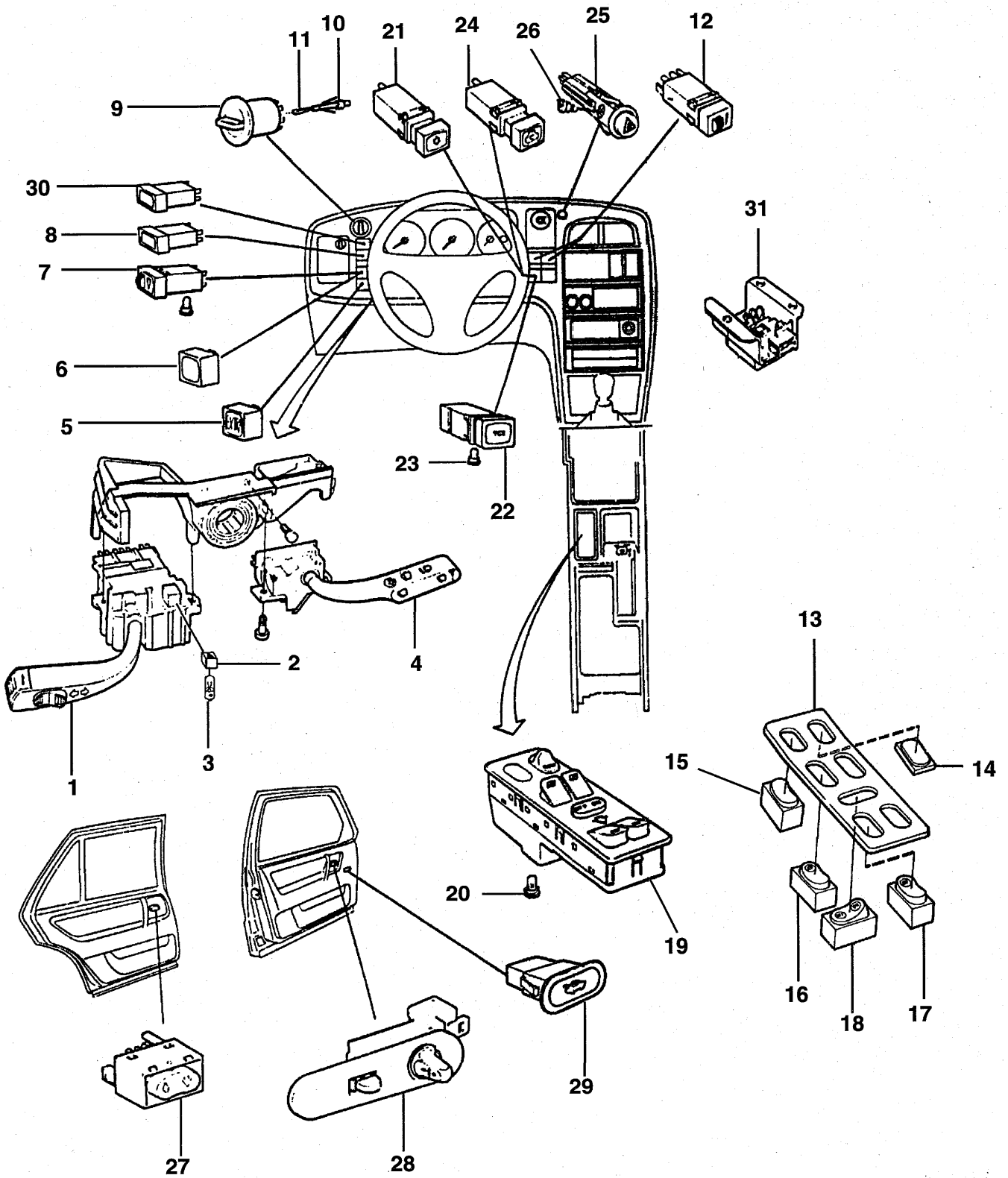
| KEY | DESCRIPTION | PART NUMBER | QTY. | NOTES |
|-----|----------------------------|-------------|------|--|
| 1 | Dome Light | 40 90 239 | 1 | >1988 |
| 1 | Dome Light | 40 60 398 | 4 | 1989> VIN >L1001204, >L2000896, >L8000056 |
| 1 | Dome Light | 40 90 239 | 1 | VIN L1001205>, L2000897>, L8000057> >1994 |
| 1 | Dome Light | 48 88 228 | 1 | 1995> |
| 2 | Lens | 40 60 406 | 1 | >1994 Included With Light |
| 2 | Lens | 45 55 272 | 1 | 1995> Included With Light |
| 3 | Bulb | 85 01 264 | 1 | >1995 Included With Light |
| 3 | Bulb | 95 12 880 | 1 | 1996> Included With Light |
| 4 | Rear View Mirror Light | 95 01 941 | 1 | |
| 5 | Lens | 95 02 055 | 1 | Included With Light |
| 6 | Bulb | 70 84 197 | 1 | Included With Light |
| 7 | Base Plate | 40 37 701 | 1 | |
| 8 | Bulb | 70 84 197 | 1 | Included With Plate |
| 9 | Bulb | 95 08 870 | 1 | Included With Plate |
| 10 | Switch, Reading Light | 95 05 447 | 1 | |
| 11 | Switch, Interior Light | 95 05 439 | 1 | |
| 12 | Light, Engine Compartment | 43 20 339 | 1 | 1987-93 |
| 13 | Bulb | 95 14 324 | 1 | 1987-93 |
| 14 | Light, Glove Box | 95 92 098 | 1 | |
| 15 | Bulb | 70 84 197 | 1 | Included With Light |
| 16 | Lamp, Front Door, LH | 95 64 253 | 1 | |
| 16 | Lamp, Front Door, RH | 95 64 261 | 1 | |
| 17 | Lamp, Rear Door, LH | 95 01 990 | 1 | VIN >G1001658 |
| 17 | Lamp, Rear Door, RH | 95 02 006 | 1 | VIN >G1001658 |
| 17 | Lamp, Rear Door, LH | 95 63 677 | 1 | VIN G1001659> |
| 17 | Lamp, Rear Door, RH | 95 63 685 | 1 | VIN G1001659> |
| 18 | Bulb | 70 84 197 | 4 | |
| 19 | Light, Luggage Compartment | 85 77 801 | 1 | |
| 20 | Bulb | 85 01 264 | 1 | |
| 21 | Reading Light | 95 00 273 | 2 | |
| 22 | Bulb | 95 08 870 | 1 | Included With Light |
| 23 | Light, Center Console | 95 69 948 | 1 | |
| 24 | Bulb | 70 84 197 | 1 | Included With Light |
| 25 | Bulb, Sun Visor | 95 78 618 | 2 | VIN >R1005971 |
| 25 | Bulb, Sun Visor | 44 86 684 | 2 | VIN R1005972> |



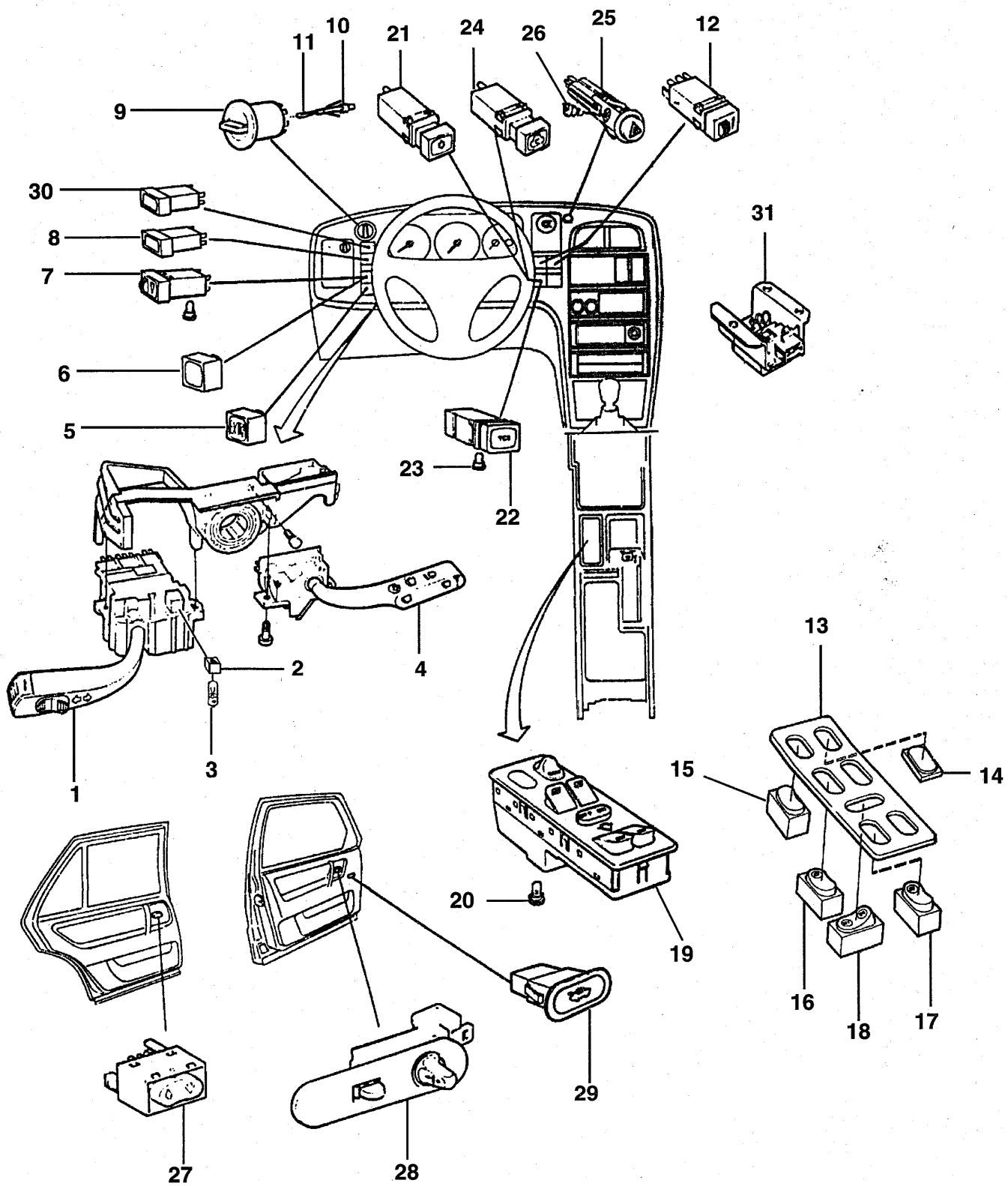
| KEY | DESCRIPTION | PART NUMBER | QTY. | NOTES |
|-----|-------------------------------|-------------|------|---|
| 1 | Linkage Assembly | 40 60 133 | 1 | >1989 |
| 2 | Member | 91 20 502 | 1 | Included With Assembly |
| 3 | Spindle | 91 22 409 | 1 | Included With Assembly |
| 4 | Motor, Windshield Wiper | 95 19 448 | 1 | >1989 |
| 5 | Nut | 80 74 106 | 1 | >1987 |
| 5 | Nut | 95 65 912 | 2 | 1988-89 Use With 95 29 991 And 95 29 702 |
| 6 | Wiper Arm, LH | 95 29 991 | 1 | >1989 |
| 6 | Wiper Arm, RH | 95 29 702 | 1 | >1989 |
| 7 | Wiper Blade Assembly | 85 49 305 | 2 | |
| 8 | Wiper Refill, Set | 85 47 374 | X | >1987 Use With 95 22 095 |
| 8 | Wiper Refill, Set | 85 47 564 | X | 1988> Use With 95 29 488 |
| 9 | Linkage Assembly | 91 23 688 | 1 | 1990> |
| 10 | Motor, Windshield Wiper | 91 23 662 | 1 | 1990> |
| 11 | Crank Arm, LH | 91 23 696 | 1 | 1990> |
| 12 | Crank Arm, RH | 91 23 704 | 1 | 1990> |
| 13 | Cover, LH | 91 23 597 | 1 | 1990> |
| 13 | Cover, RH | 91 23 605 | 1 | 1990> |
| 14 | Wiper Arm, LH | 40 95 626 | 1 | 1990> |
| 14 | Wiper Arm, RH | 40 95 634 | 1 | 1990> |
| 15 | Cap Nut | 95 65 912 | 2 | 1990> |
| 16 | Wiper Blade | 85 49 305 | 2 | 1990> |
| 17 | Wiper Refill, Set | 85 47 564 | X | 1990> |
| 18 | Washer Pump | 95 06 379 | 1 | >1991 |
| 19 | Cap | 85 18 557 | 1 | >1991 |
| 20 | Filter | 95 66 332 | 1 | >1991 |
| 21 | Washer Nozzle, With Two Holes | 85 04 144 | 1 | |
| 22 | Pressure Valve | 85 73 669 | 2 | >1991 |
| 23 | Rubber Bushing | 95 28 795 | 1 | >1991 |
| 24 | Washer Pump | 43 20 123 | 1 | 1992> |
| 25 | Cap | 40 92 359 | 1 | 1992> |
| 26 | Valve, LH | 95 69 013 | 1 | 1992> |
| 27 | Valve, RH | 85 73 669 | 1 | 1992> |
| 28 | Filler Pipe | 43 41 145 | 1 | 1992> |



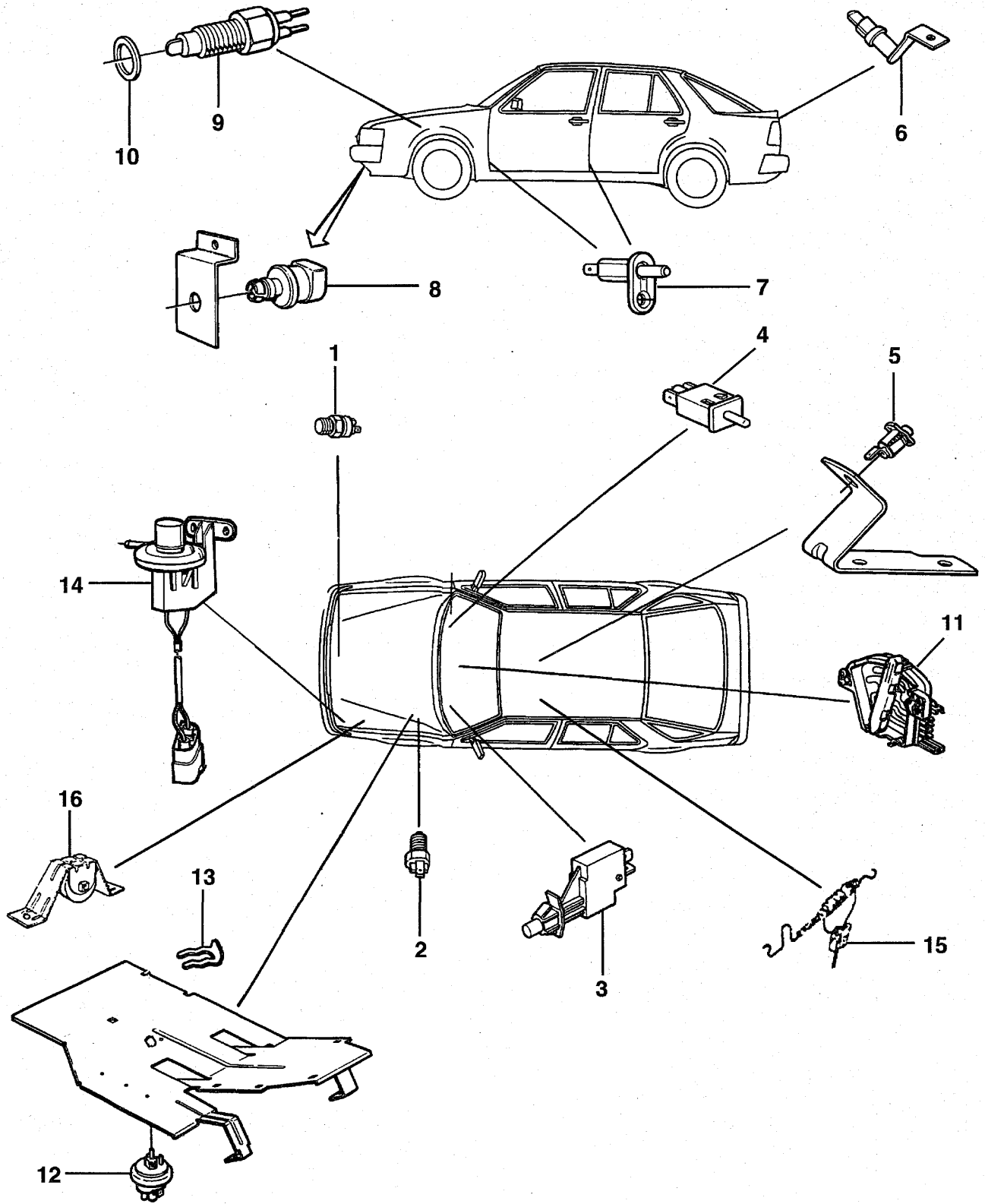
| KEY | DESCRIPTION | PART NUMBER | QTY. | NOTES |
|-----|---------------------------|-------------|------|---------------|
| 1 | Wiper Motor | 90 86 869 | 1 | |
| 2 | Steering Knuckle Retainer | 90 86 877 | 1 | |
| 3 | Steering Knuckle Retainer | 90 86 885 | 1 | |
| 4 | Nut | 90 86 901 | 1 | |
| 5 | Wiper Arm | 45 22 611 | 1 | |
| 6 | Wiper Blade | 85 49 305 | 1 | |
| 7 | Nozzle | 41 72 441 | 1 | VIN >R1026910 |
| 8 | Nozzle | 45 21 449 | 1 | VIN R1026911> |



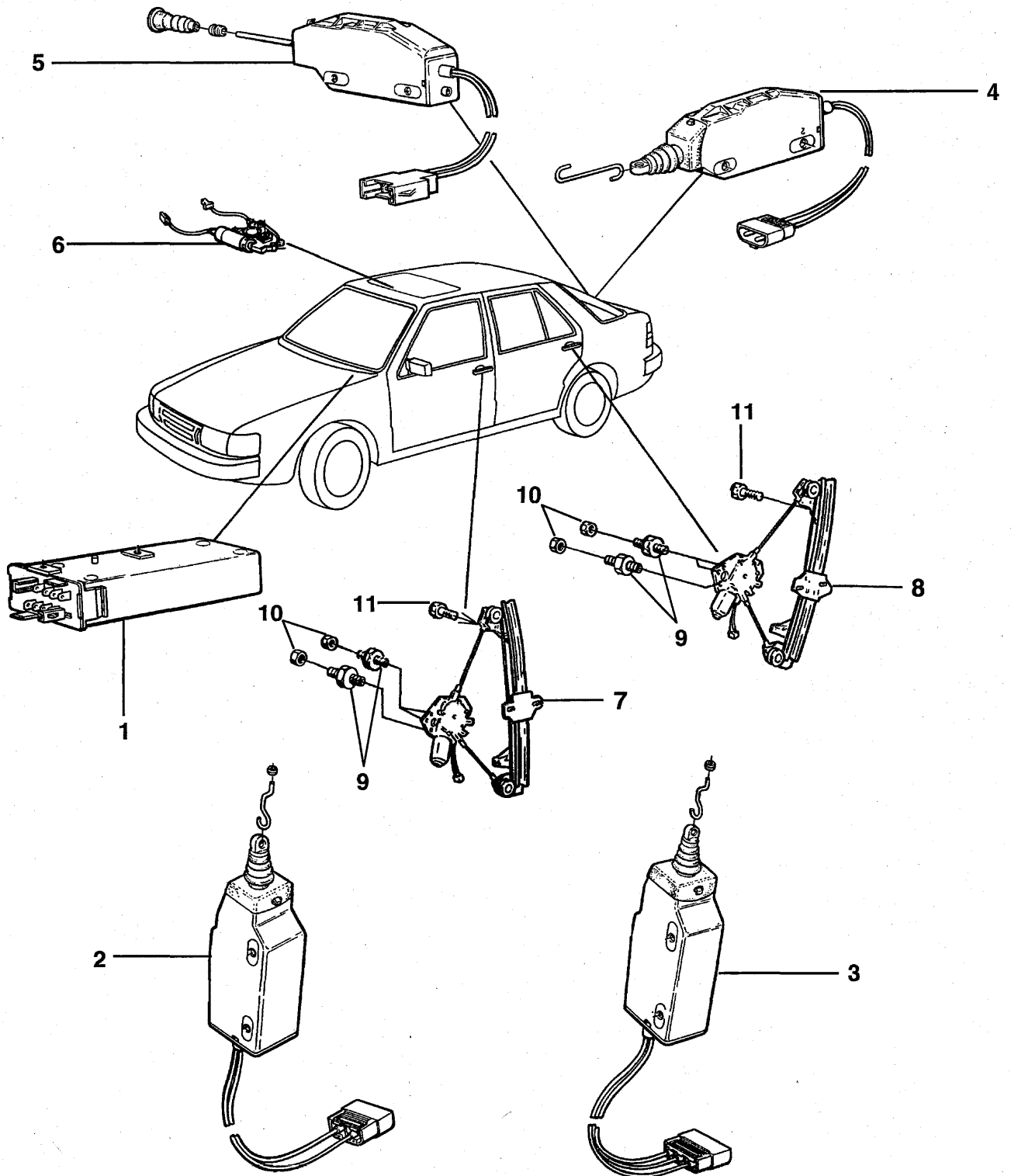
| KEY | DESCRIPTION | PART NUMBER | QTY. | NOTES |
|-----|-----------------------------------|-------------|------|------------------------|
| 1 | Switch, Direction Indicator | 95 17 533 | 1 | 1986 |
| 1 | Switch, Direction Indicator | 95 18 242 | 1 | 1987 |
| 1 | Switch, Direction Indicator | 95 26 054 | 1 | 1988-91 |
| 1 | Switch, Direction Indicator | 46 92 745 | 1 | 1992> |
| 2 | Knob | 95 18 309 | 1 | >1991 |
| 3 | Bulb | 95 18 291 | 1 | >1991 |
| 4 | Switch, Windshield Wiper | 95 00 299 | 1 | >1986 |
| 4 | Switch, Windshield Wiper | 46 92 752 | 1 | 1987 |
| 4 | Switch, Windshield Wiper | 95 23 812 | 1 | 1988-90 |
| 4 | Switch, Windshield Wiper | 46 92 752 | 1 | 1991> |
| 4 | Switch, Windshield Wiper | 46 92 760 | 1 | 5CS |
| 5 | Switch, Extra | 95 23 804 | 1 | 1987> |
| 6 | Blank, Switch | 95 68 122 | X | |
| 7 | Rheostat, Instrument Panel Lights | 95 17 806 | 1 | >1994 |
| 7 | Rheostat, Instrument Panel Lights | 44 38 255 | 1 | 1995> |
| 8 | Switch, Fog Lights, Front | 95 23 762 | 1 | |
| 9 | Switch, Headlights | 85 90 838 | 1 | |
| 10 | Bulb Socket | 85 53 356 | 1 | Included With Switch |
| 11 | Bulb | 85 00 613 | 1 | Included With Switch |
| 12 | Switch, Heating Pad | 47 33 275 | 2 | |
| 13 | Holder, Switches | 95 06 676 | 1 | >1989 |
| 14 | Blank Knob | 91 25 212 | X | >1989 |
| 15 | Switch, Electric Sunroof | 95 07 674 | 1 | >1989 |
| 15 | Switch, Door Fan | 95 26 609 | 1 | 1988-89 |
| 16 | Switch, Front Door Window, LH | 95 12 310 | 1 | >1989 |
| 16 | Switch, Front Door Window, RH | 95 01 859 | 1 | >1989 |
| 17 | Switch, Rear Door Window | 95 01 867 | 2 | >1989 |
| 18 | Safety Switch, Windows | 95 01 875 | 1 | >1989 |
| 19 | Switch Assembly | 91 24 660 | 1 | 1990-92, EW |
| 19 | Switch Assembly | 40 85 510 | 1 | 1993-94 EW |
| 19 | Switch Assembly | 45 19 146 | 1 | 1995> EW |
| 19 | Switch Assembly | 91 24 652 | 1 | 1990-92 EW, SR |
| 19 | Switch Assembly | 40 85 502 | 1 | 1993-94 EW, SR |
| 19 | Switch Assembly | 45 19 120 | 1 | 1995> EW, SR |
| 20 | Bulb | 40 69 373 | 1 | Included With Assembly |
| 21 | Switch, AC | 95 23 788 | 1 | 1990> |
| 22 | Switch, TCS | 44 39 477 | 1 | 1990> |
| 23 | Bulb, Switch | 44 66 439 | 1 | Included With Switch |
| 24 | Switch, Recirculation | 95 12 690 | 1 | 1990> |



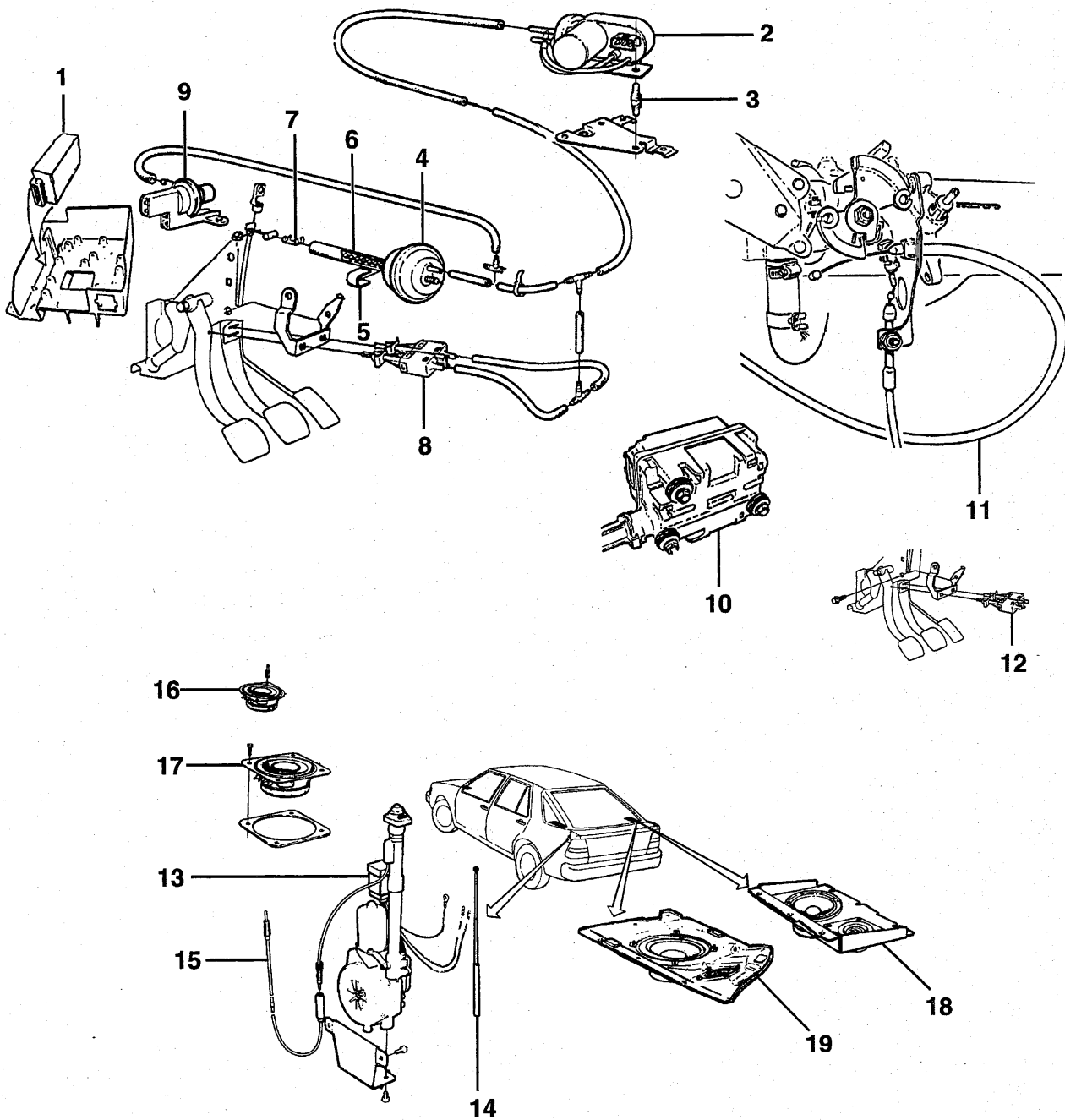
| KEY | DESCRIPTION | PART NUMBER | QTY. | NOTES |
|-----|----------------------------------|-------------|------|----------------------|
| 25 | Switch, Warning Flasher | 41 09 526 | 1 | 1990> |
| 26 | Bulb, Switch | 41 14 898 | 1 | Included With Switch |
| 27 | Switch, Window, In Rear Door | 45 19 740 | 2 | VIN >R1015029 |
| 27 | Switch, Window, In Rear Door | 45 19 138 | 2 | VIN R1015030> |
| 28 | Switch, Mirror, In Front Door | 95 05 488 | 2 | |
| 29 | Switch, Luggage Compartment Lock | 47 33 440 | 1 | |
| 30 | Switch, Fog Lights, Rear | 95 23 747 | 1 | 1990> |
| 31 | Rheostat, Cooling Body | 95 22 079 | 1 | 1990>1994 |



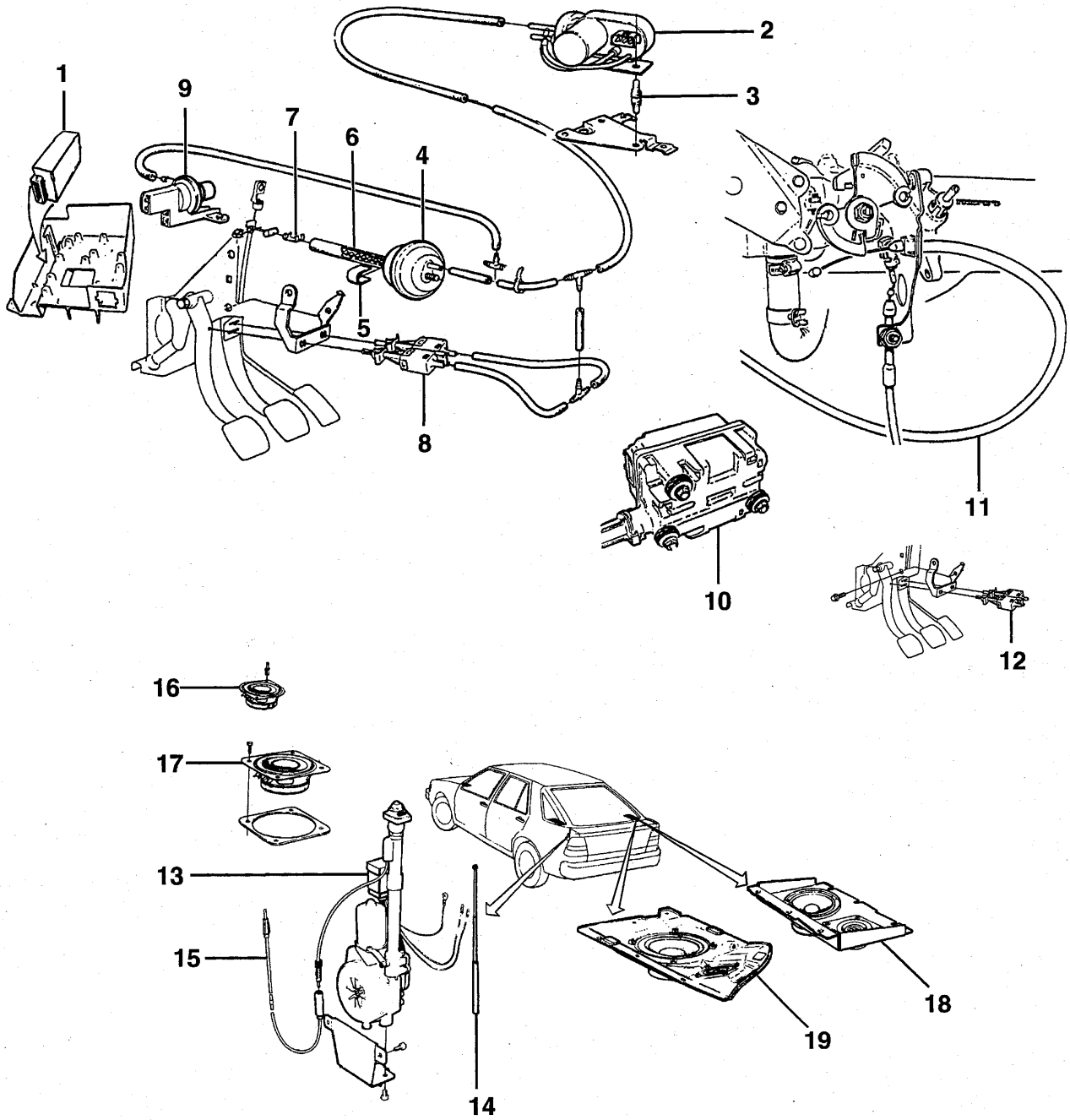
| KEY | DESCRIPTION | PART NUMBER | QTY. | NOTES |
|-----|------------------------------------|-------------|------|--------------------------------------|
| 1 | Switch, Cooling Fan | 40 86 708 | 1 | >1988 |
| 1 | Switch, Cooling Fan | 40 86 690 | 1 | 1989 |
| 1 | Switch, Cooling Fan | 40 86 690 | 1 | 1991-94 |
| 1 | Switch, Cooling Fan | 40 86 682 | 1 | 1994> 4 Cylinder |
| 2 | Switch, Back-Up Light | 95 29 363 | 1 | >1993 |
| 2 | Switch, Back-Up Light | 46 17 668 | 1 | 1994> |
| 3 | Switch, Brake Light | 95 05 462 | 1 | |
| 4 | Switch, Glove Box | 95 08 367 | 1 | |
| 5 | Switch, Parking Brake | 85 22 492 | 1 | |
| 6 | Switch, Trunk Door | 40 91 955 | 1 | 5D VIN >M1016808, >M2011155 |
| 6 | Switch, Trunk Door | 41 02 059 | 1 | 5D VIN M106809>, M2011156> |
| 6 | Switch, Trunk Lid | 40 13 140 | 1 | 4D 1990> VIN >M1017203, >M2011661 |
| 6 | Switch, Trunk Lid | 82 85 215 | 1 | 4D VIN M1017204>, M2011662> >1991 |
| 6 | Switch, Trunk Lid | 42 51 666 | 1 | 4D 1992> |
| 7 | Switch, Front Door | 95 14 860 | 2 | VIN >P1003149 |
| 7 | Switch, Front Door | 40 86 492 | 2 | VIN P1003150> |
| 7 | Switch, Rear Door | 95 14 886 | 2 | |
| 8 | Sensor, Outer Temperature | 95 13 276 | 1 | Turbo >1989 |
| 8 | Sensor, Outer Temperature | 91 23 456 | 1 | 1990> |
| 9 | Switch, Up-Shift Indicator | 95 29 355 | 1 | >1988 |
| 10 | Seal Ring | 44 43 883 | 1 | >1988 |
| 11 | Switch, Neutral Safety | 40 62 980 | 1 | LH, Auto. Trans. |
| 11 | Switch, EDU Up-Shift Indicator | 40 62 972 | 1 | RH, Auto. Trans. |
| 12 | Pressure Switch | 85 94 632 | 1 | Turbo |
| 13 | Clip | 85 65 855 | 1 | |
| 14 | Switch, Vacuum, Up-Shift Indicator | 95 64 857 | 1 | >1988 |
| 15 | Switch, Front Seat | 95 05 652 | 2 | 1990-93 |
| 15 | Switch, Front Seat | 47 16 908 | 2 | |
| 15 | Switch, Front Seat | 47 16 916 | 2 | For cars with power seats |
| 16 | Resistor | 43 20 545 | 1 | 5CS >1994 |
| 16 | Resistor | 43 20 545 | 1 | 5CS 1995 > VIN>S1010397 |



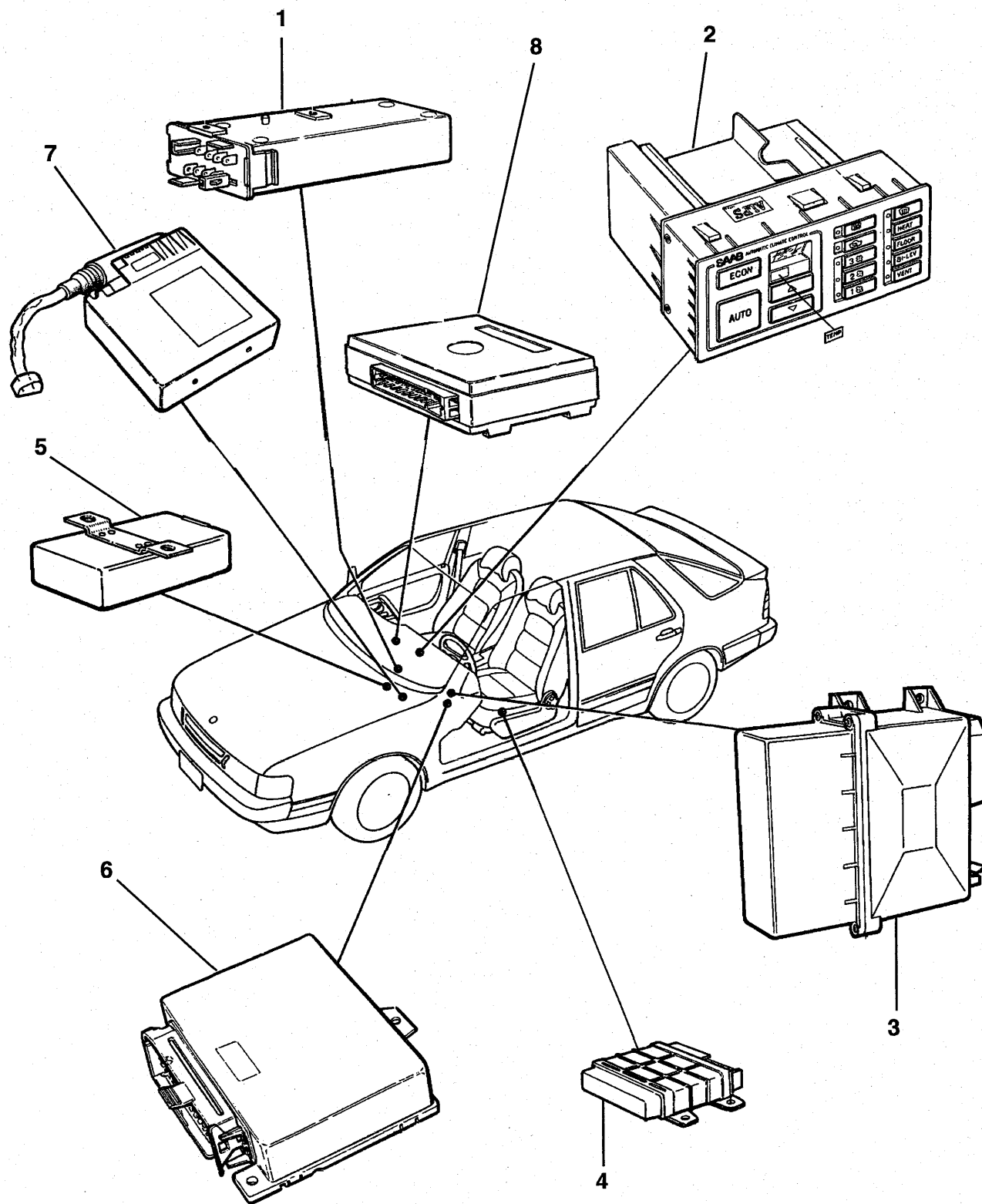
| KEY | DESCRIPTION | PART NUMBER | QTY. | NOTES |
|-----|----------------------------------|-------------|------|---|
| 1 | Electronic Control Unit | 95 29 975 | 1 | >1992 |
| 1 | Electronic Control Unit | 41 02 851 | 1 | 1993> |
| 2 | Control Device, Central Lock | 85 91 216 | 1 | Driver's Door |
| 3 | Motor, Central Lock | 85 91 224 | 3 | Other Doors |
| 4 | Motor, Central Lock | 40 12 639 | 1 | 5D Trunk Door |
| 4 | Motor, Central Lock | 40 12 639 | 1 | 4D Trunk Lid >1989 |
| 4 | Motor, Central Lock | 40 10 872 | 1 | 4D Trunk Lid 1990> |
| 4 | Motor, Central Lock | 42 51 922 | 1 | VIN >M1017203, >M2011661 4D Trunk Lid VIN M1017204> M2011662> >1991 |
| 4 | Motor, Central Lock | 42 51 658 | 1 | 4D Trunk Lid 1992 |
| 4 | Motor, Central Lock | 45 56 890 | 1 | 4D Trunk Lid 1993-95 |
| 4 | Motor, Central Lock | 47 36 880 | 1 | 4D Trunk Lid 1996> |
| 4 | Motor, Central Lock | 45 56 890 | 1 | 5CS Trunk Door >1995 |
| 4 | Motor, Central Lock | 47 36 880 | 1 | 5CS Trunk Door 1996> |
| 5 | Motor, Central Lock | 95 03 723 | 1 | Fuel Filler Door >1991 |
| 5 | Motor, Central Lock | 43 04 911 | 1 | Fuel Filler Door 1992> |
| 6 | Motor, Sunroof | 74 97 886 | 1 | |
| 7 | Window Regulator, Front Door, LH | 92 55 217 | 1 | |
| 7 | Window Regulator, Front Door, RH | 92 55 209 | 1 | |
| 8 | Window Regulator, Rear Door, LH | 92 55 233 | 1 | |
| 8 | Window Regulator, Rear Door, RH | 92 55 225 | 1 | |
| 9 | Rubber Buffer | 43 03 186 | 4 | |
| 10 | Nut | 79 71 658 | 6 | |
| 11 | Screw | 79 69 223 | 6 | |



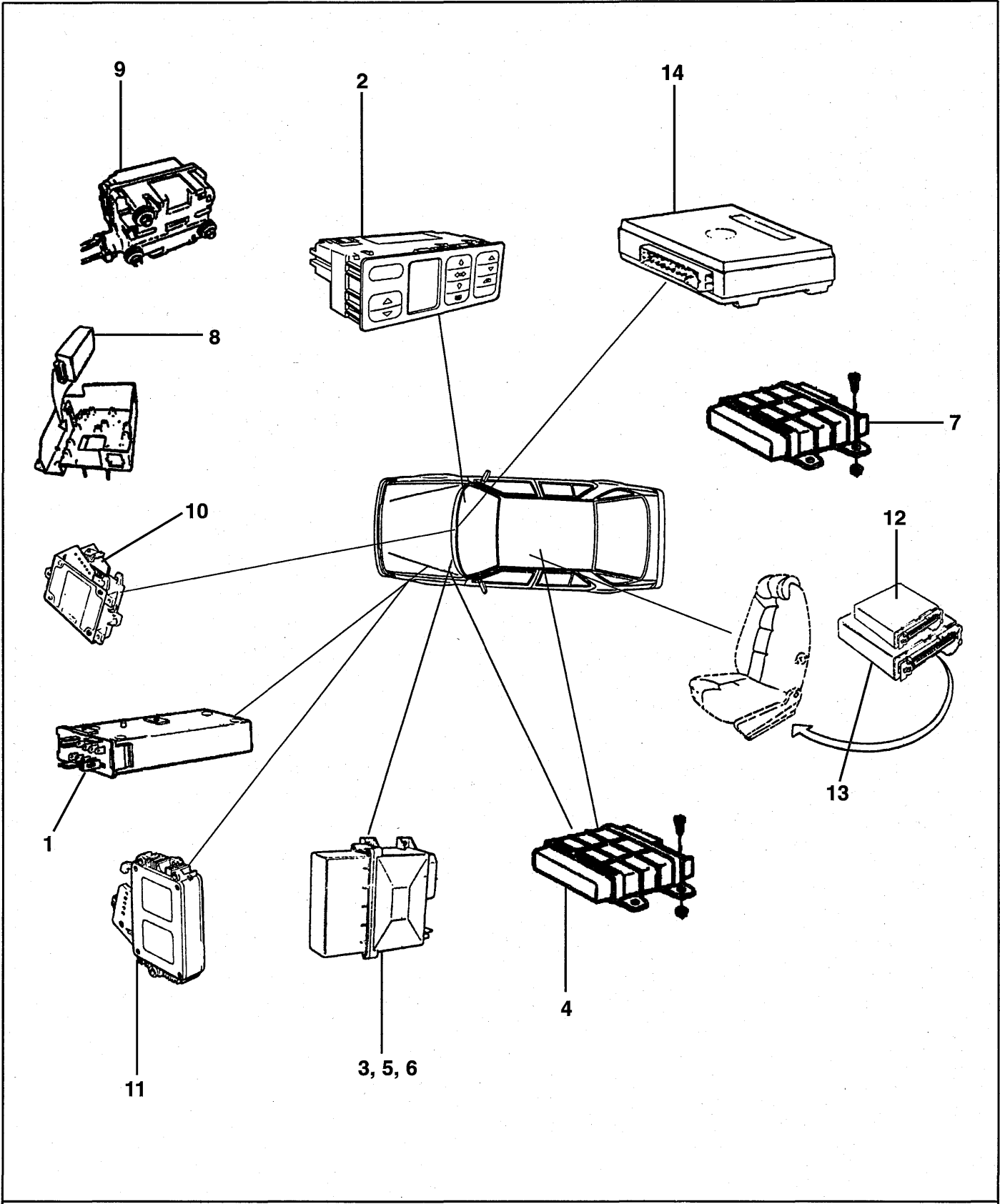
| KEY | DESCRIPTION | PART NUMBER | QTY. | NOTES |
|-----|-------------------------|-------------|------|--|
| 1 | Electronic Control Unit | 95 60 905 | 1 | >1987 |
| 1 | Electronic Control Unit | 95 26 757 | 1 | 1988-91 |
| 1 | Electronic Control Unit | 41 08 650 | 1 | 1992-94 |
| 2 | Vacuum Pump | 85 87 024 | 1 | >1994 |
| 3 | Mount | 95 55 194 | 3 | Included With Pump |
| 4 | Vacuum Regulator | 95 12 302 | 1 | >1994 |
| 5 | Ball Chain Lock | 40 63 384 | 1 | 1988-94 |
| 6 | Chain | 85 87 081 | 1 | VIN >J1050111, >J2030143 |
| 6 | Chain | 40 61 917 | 1 | VIN J1050112>, J2030144> >1994 |
| 7 | Clip | 44 33 827 | 1 | >1994 |
| 8 | Cut Out Switch | 95 12 294 | 2 | >1988 |
| 8 | Cut Out Switch | 43 50 443 | X | 1989-94 2 For Manual Trans., 1 For Auto. Trans. |
| 9 | Switch, Vacuum | 95 64 865 | 1 | >1988 |
| 9 | Switch, Vacuum | 91 24 884 | 1 | 1989-94 |
| 10 | Electronic Control Unit | 46 63 514 | 1 | 1995> 4 Cylinder |
| 10 | Electronic Control Unit | 44 33 116 | 1 | 1995> 6 Cylinder |
| 11 | Cable | 45 83 043 | 1 | 4 Cylinder Included With ECU |
| 11 | Cable | 45 83 050 | 1 | 6 Cylinder Included With ECU |
| 12 | Switch | 43 50 443 | | 1995> 2 For Manual Trans, 1 For Auto. Trans. |
| 13 | Motor, Antenna | 40 86 732 | 1 | |
| 13 | Motor, Antenna | 02 52 932 | 1 | 5CS |
| 14 | Antenna Mast | 02 34 391 | 1 | >1992 5DR, >1994 CD Included With Motor |
| 14 | Antenna Mast | 02 52 957 | 1 | 1993> CS, 1995> CD |
| 15 | Antenna Cable | 02 44 962 | 1 | |
| 16 | Speaker | 95 22 814 | 2 | 1987> VIN >L1001122, >L2000789 |
| 16 | Speaker | 40 67 542 | 2 | VIN L1001123>, L2000790> >1991 |
| 16 | Speaker | 40 85 148 | 2 | 1992> |



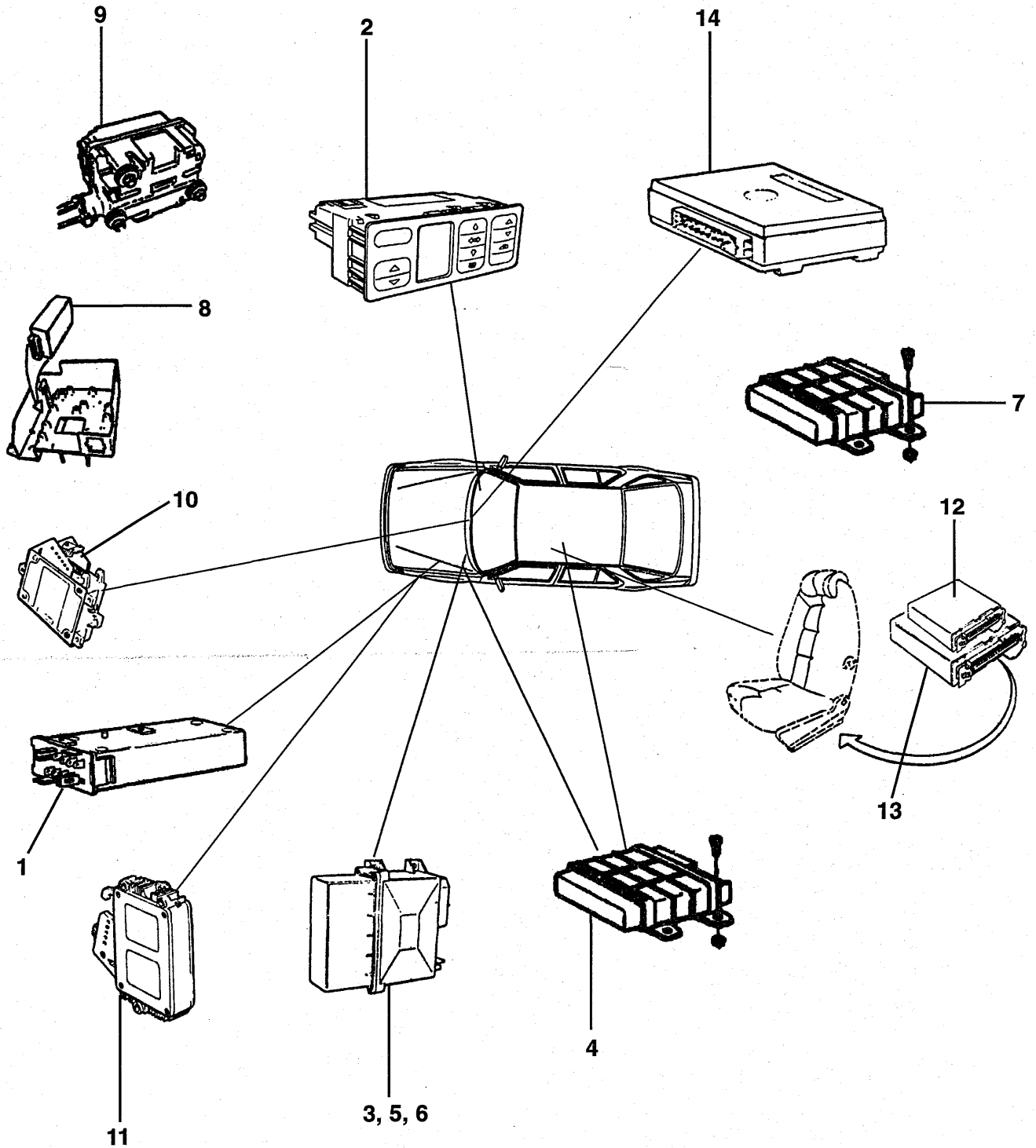
| KEY | DESCRIPTION | PART NUMBER | QTY. | NOTES |
|-----|-------------|-------------|------|---|
| 17 | Speaker | 95 14 357 | 2 | >1986 |
| 17 | Speaker | 44 39 121 | 2 | 1987> VIN >L1001122, >L2000789 |
| 17 | Speaker | 40 67 534 | 2 | VIN L1001123>, L2000790> >P1005668 |
| 17 | Speaker | 40 85 239 | 2 | VIN P1005669> |
| 18 | Speaker, LH | 95 16 006 | 1 | 5D >1986 |
| 18 | Speaker, RH | 95 16 014 | 1 | 5D >1986 |
| 18 | Speaker, LH | 95 22 632 | 1 | 5D 1987> VIN >L1001122, >L2000789 |
| 18 | Speaker, RH | 95 22 624 | 1 | 5D 1987> VIN >L1001122, >L2000789 |
| 18 | Speaker, LH | 40 67 567 | 1 | VIN L1001123>, L2000790> >1991 |
| 18 | Speaker, RH | 40 67 575 | 1 | VIN L1001123>, L2000790> >1991 |
| 18 | Speaker, LH | 40 83 119 | 1 | 5D 1992 |
| 18 | Speaker, RH | 40 83 127 | 1 | 5D 1992 |
| 19 | Speaker, LH | 95 28 167 | 1 | 4D >1991 |
| 19 | Speaker, RH | 46 19 227 | 1 | 4D >1991 |
| 19 | Speaker, LH | 40 83 275 | 1 | 4D 1992> |
| 19 | Speaker, RH | 40 83 283 | 1 | 4D 1992> |
| 19 | Speaker, LH | 40 85 213 | 1 | 5CS |
| 19 | Speaker, RH | 40 85 221 | 1 | 5CS |
| | Radio | | | See Accessories Manual For Information |



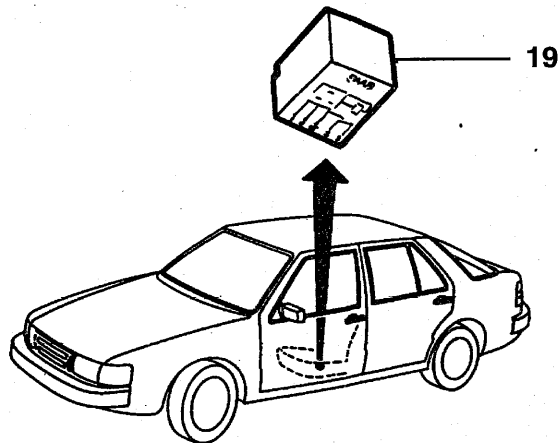
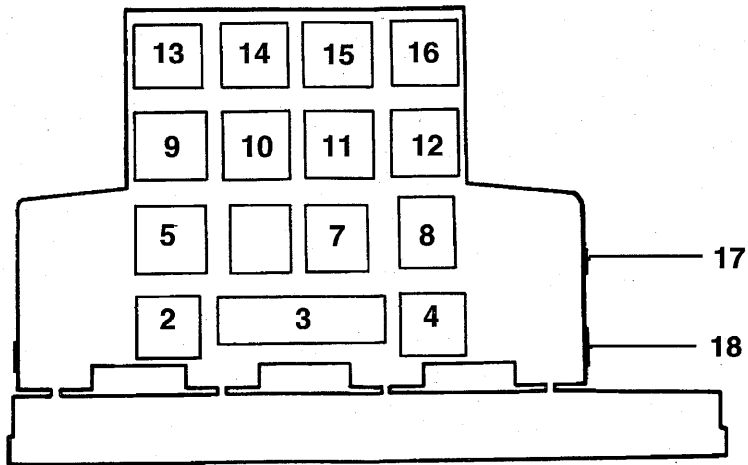
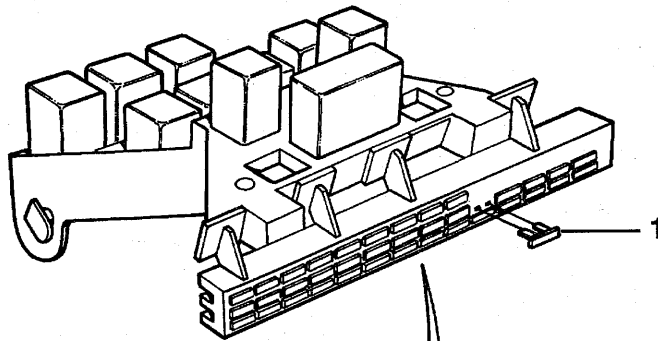
| KEY | DESCRIPTION | PART NUMBER | QTY. | NOTES |
|-----|-----------------------------|-------------|------|--|
| 1 | Central Lock, ECU | 95 29 975 | 1 | |
| 2 | Control Panel Assembly, ACC | 88 26 943 | 1 | |
| 3 | APC System, ECU | 88 26 828 | 1 | |
| 4 | EZK Ignition, ECU | 88 26 448 | 1 | >1987 |
| 4 | EZK Ignition, ECU | 88 26 455 | 4 | 1988 |
| 4 | EZK Ignition, ECU | 88 26 463 | 1 | 1988-89 |
| 5 | Speed Control System, ECU | 95 60 905 | 1 | >1987 |
| 5 | Speed Control System, ECU | 95 26 757 | 1 | 1988-89 |
| 6 | LH Injection, ECU Bosch | 88 26 208 | 1 | >1987 Turbo Manual Trans. Exchange Unit 0 280 000 531 |
| 6 | LH Injection, ECU, Bosch | 88 26 216 | 1 | >1988 Turbo Auto. Trans. Exchange Unit 0 280 000 539 |
| 6 | LH Injection, ECU, Bosch | 88 26 224 | 1 | 1989> Turbo Exchange Unit 0 280 000 566 |
| 6 | LH Injection, ECU, Bosch | 88 26 265 | 1 | 1987 Fuel Injection Exchange Unit 0 280 000 532 |
| 6 | LH Injection, ECU, Bosch | 88 26 273 | 1 | 1988 Fuel Injection Exchange Unit 0 280 000 552 |
| 6 | LH Injection, ECU, Bosch | 88 26 281 | 1 | 1989 Fuel Injection Exchange Unit 0 280 000 565 |
| 7 | ABS, ECU | 88 26 984 | 1 | |
| 8 | Theft Alarm, ECU | 42 51 831 | 1 | 1989 |



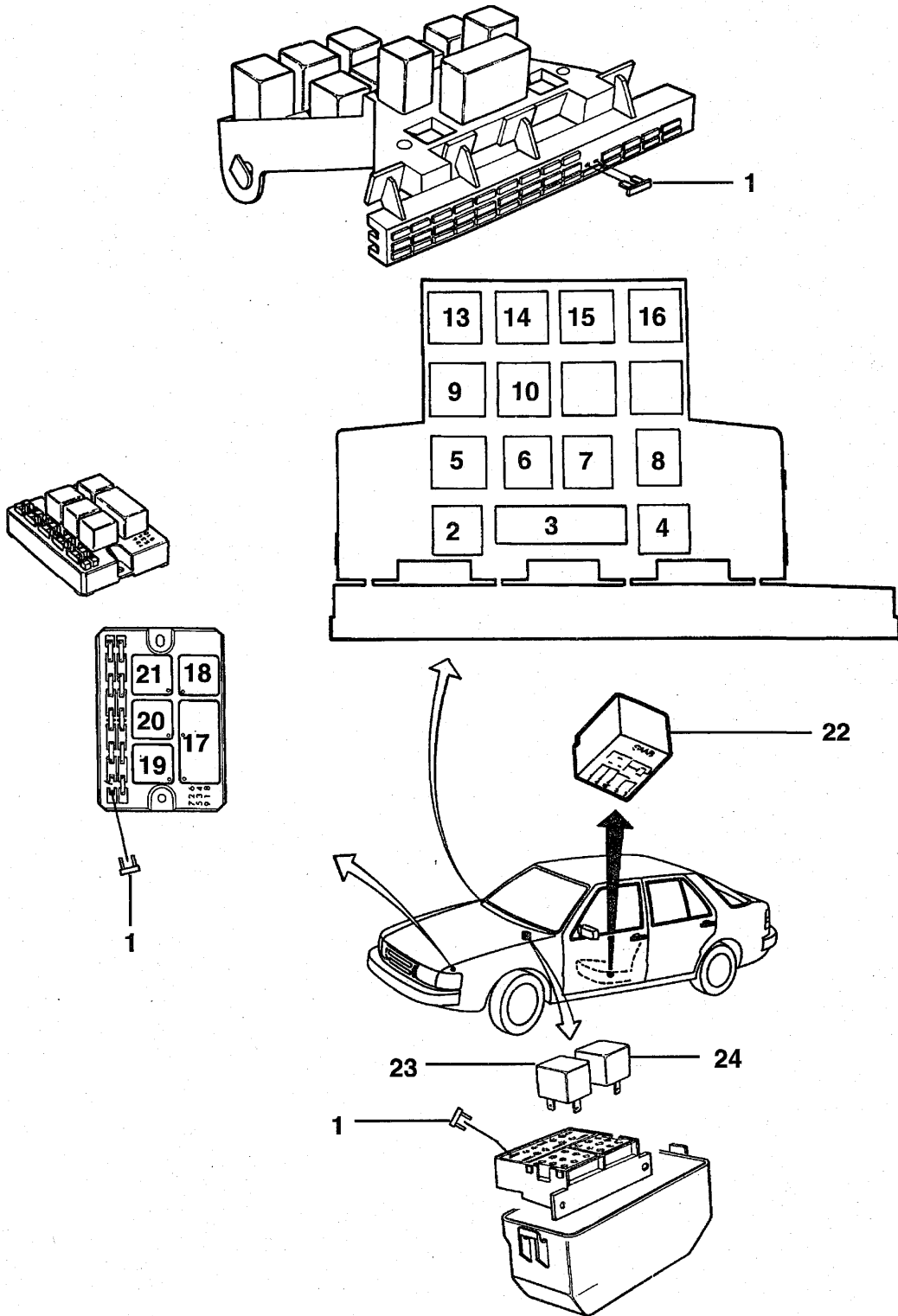
| KEY | DESCRIPTION | PART NUMBER | QTY. | NOTES |
|-----|-------------------------------------|-------------|------|-------------------------------|
| 1 | Central Lock, ECU | 95 29 975 | 1 | >1992 |
| 1 | Central Lock, ECU | 41 02 851 | 1 | 1993> |
| 2 | Control Panel Assembly, ACC | 74 96 813 | 1 | 1990-93 |
| 2 | Control Panel Assembly, ACC | 88 28 709 | 1 | 1994 |
| 2 | Control Panel Assembly, ACC | 46 10 259 | 1 | 1995> |
| 3 | APC System / DI, ECU | 88 26 612 | 1 | 1990 B202 |
| 3 | APC System / DI, ECU | 88 28 212 | 1 | B234 Turbo Manual Trans. |
| 3 | APC System / DI, ECU | 88 28 220 | 1 | B234 Turbo Auto. Trans. |
| 3 | APC System / DI, ECU | 88 26 653 | 1 | 1990 B234 Fuel Injection |
| 3 | APC System / DI, ECU | 88 27 123 | 1 | 1991> B234 Fuel Injection |
| 4 | EZK Ignition, ECU | 88 26 463 | 1 | >1993 |
| 5 | Trionic Ignition, ECU | 88 28 212 | 1 | 1993 B234 Turbo Manual Trans. |
| 5 | Trionic Ignition, ECU | 88 28 220 | 1 | 1993 B234 Turbo Auto. Trans. |
| 5 | Trionic Ignition, ECU | 88 27 123 | 1 | 1993 B234 Fuel Injection |
| 5 | Trionic Ignition / Fuel System, ECU | 88 28 170 | 1 | >1993 B234 , TCS, ASR |
| 5 | Trionic Ignition / Fuel System, ECU | 88 28 196 | 1 | >1993 B234R, TCS |
| 5 | Trionic Ignition / Fuel System, ECU | 88 28 527 | 1 | >1993 B234R |
| 5 | Trionic Ignition / Fuel System, ECU | 88 28 550 | 1 | 1994 B234 Fuel Injection |
| 5 | Trionic Ignition / Fuel System, ECU | 43 01 313 | 1 | 1994 B234 Fuel Injection, SAI |
| 5 | Trionic Ignition / Fuel System, ECU | 88 28 584 | 1 | 1994 B234L |
| 5 | Trionic Ignition / Fuel System, ECU | 88 28 733 | 1 | 1994 B234R |
| 5 | Trionic Ignition / Fuel System, ECU | 88 28 600 | 1 | 1994 B234, TCS |
| 5 | Trionic Ignition / Fuel System, ECU | 46 10 085 | 1 | 1995 B234E |
| 5 | Trionic Ignition / Fuel System, ECU | 46 10 093 | 1 | 1995 B234L |
| 5 | Trionic Ignition / Fuel System, ECU | 46 10 796 | 1 | 1995 B234R |
| 5 | Trionic Ignition / Fuel System, ECU | 46 10 101 | 1 | 1995 B234R, TCS |
| 5 | Trionic Ignition / Fuel System, ECU | 88 28 543 | 1 | 1996 B234E |
| 5 | Trionic Ignition / Fuel System, ECU | 88 28 592 | 1 | 1996 B234L |
| 5 | Trionic Ignition / Fuel System, ECU | 88 28 618 | 1 | 1996 B234R |
| 5 | Trionic Ignition / Fuel System, ECU | 46 11 356 | 1 | 1997> B234E |
| 5 | Trionic Ignition / Fuel System, ECU | 46 11 364 | 1 | 1997> B234L |
| 5 | Trionic Ignition / Fuel System, ECU | 46 11 372 | 1 | 1997> B234R |



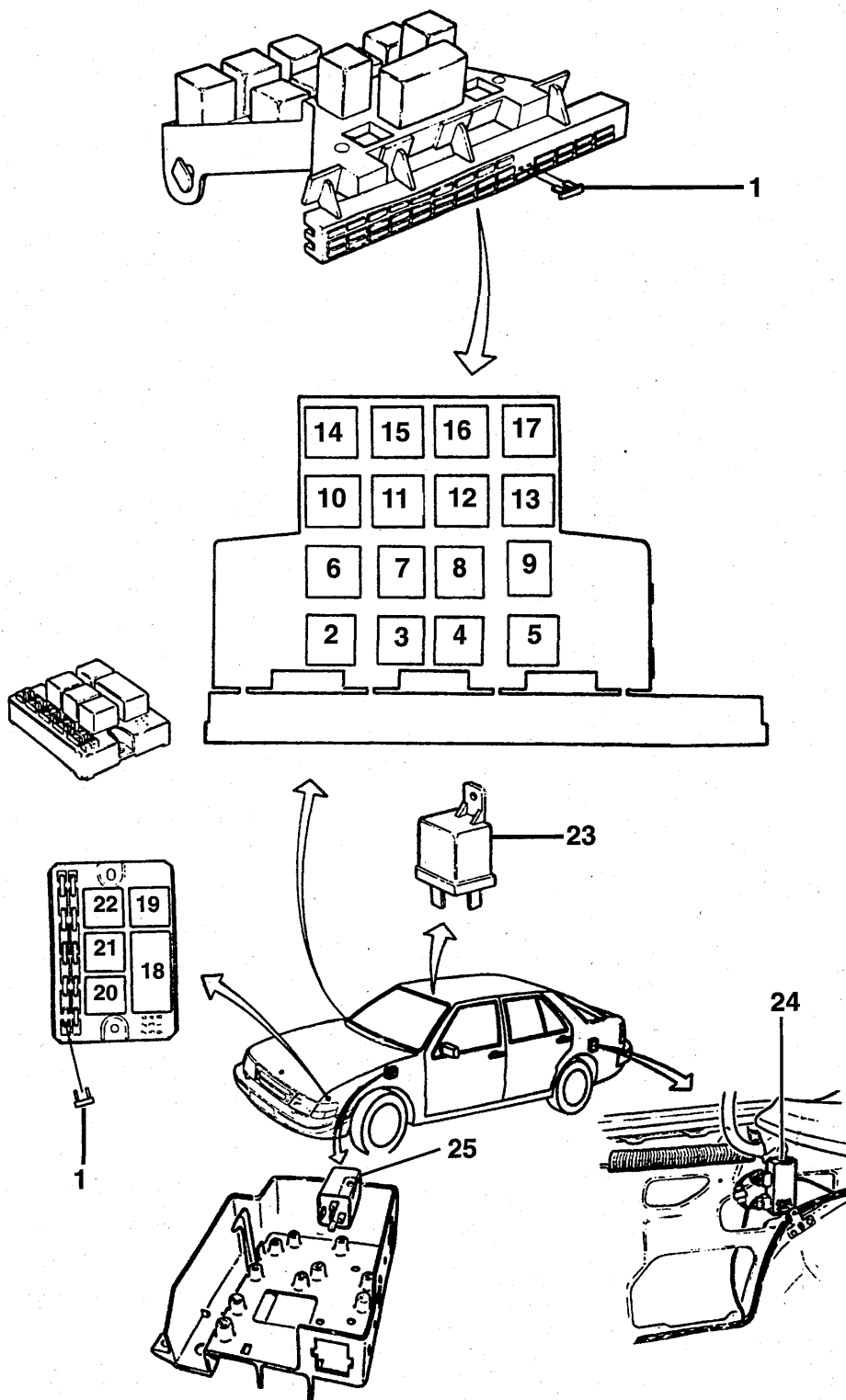
| KEY | DESCRIPTION | PART NUMBER | QTY. | NOTES |
|-----|---------------------------|-------------|------|-----------------------------------|
| 6 | LH Injection, ECU | 88 26 232 | 1 | >1993 B202 Turbo, Federal |
| 6 | LH Injection, ECU | 88 26 257 | 1 | >1993 B202 Turbo Cali. |
| 6 | LH Injection, ECU | 88 26 299 | 1 | >1993 B202 Fuel Injection Federal |
| 6 | LH Injection, ECU | 88 26 307 | 1 | >1993 B202 Fuel Injection Cali. |
| 6 | LH Injection, ECU | 88 27 412 | 1 | >1993 B234 Turbo |
| 6 | LH Injection, ECU | 88 27 438 | 1 | >1993 B234 Turbo, TCS |
| 6 | LH Injection, ECU | 88 26 315 | 1 | 1990 B234 Fuel Injection |
| 6 | LH Injection, ECU | 88 27 370 | 1 | 1991-92 B234 Fuel Injection |
| 6 | LH Injection, ECU | 88 28 410 | 1 | 1993 B234 Fuel Injection |
| 7 | Motronic, ECU | 46 10 010 | 1 | >1995 B308 |
| 7 | Motronic, ECU | 46 10 788 | 1 | 1996> B308 |
| 8 | Speed Control System, ECU | 95 26 757 | 1 | >1991 |
| 8 | Speed Control System, ECU | 41 08 650 | 1 | 1992 |
| 9 | Speed Control System, ECU | 46 63 514 | 1 | 1995> 4 Cylinder |
| 9 | Speed Control System, ECU | 44 33 116 | 1 | 1995> 6 Cylinder |
| 10 | ABS, ECU | 88 26 992 | 1 | >1991 |
| 11 | ECU, TCS, Manual Trans. | 88 28 089 | 1 | >1995 |
| 11 | ECU, ABS, Manual Trans. | 88 27 628 | 1 | >1992 |
| 11 | ECU, ABS | 88 28 329 | 1 | 1993> |
| 11 | ECU, ABS | 88 28 311 | 1 | B308 |
| 11 | ECU, ABS, Auto. Trans. | 88 27 628 | 1 | >1992 |
| 11 | ECU, ABS | 88 28 311 | 1 | 1993 |
| 12 | ECU, ASR, Auto Trans. | 88 27 974 | 1 | >1993 Auto. Trans. |
| 13 | ECU, ETS | 88 28 378 | 1 | VIN P1022753> >1993 |
| 13 | ECU, ETS | 88 28 386 | 1 | 1994 |
| 13 | ECU, ETS | 46 10 721 | 1 | 1995 |
| 13 | ECU, TCS | 88 28 428 | 1 | B308 |
| 14 | Anti-Theft System, ECU | 42 51 831 | 1 | 1990-94 |
| 14 | Anti-Theft System, ECU | 45 50 117 | 1 | 1995> |



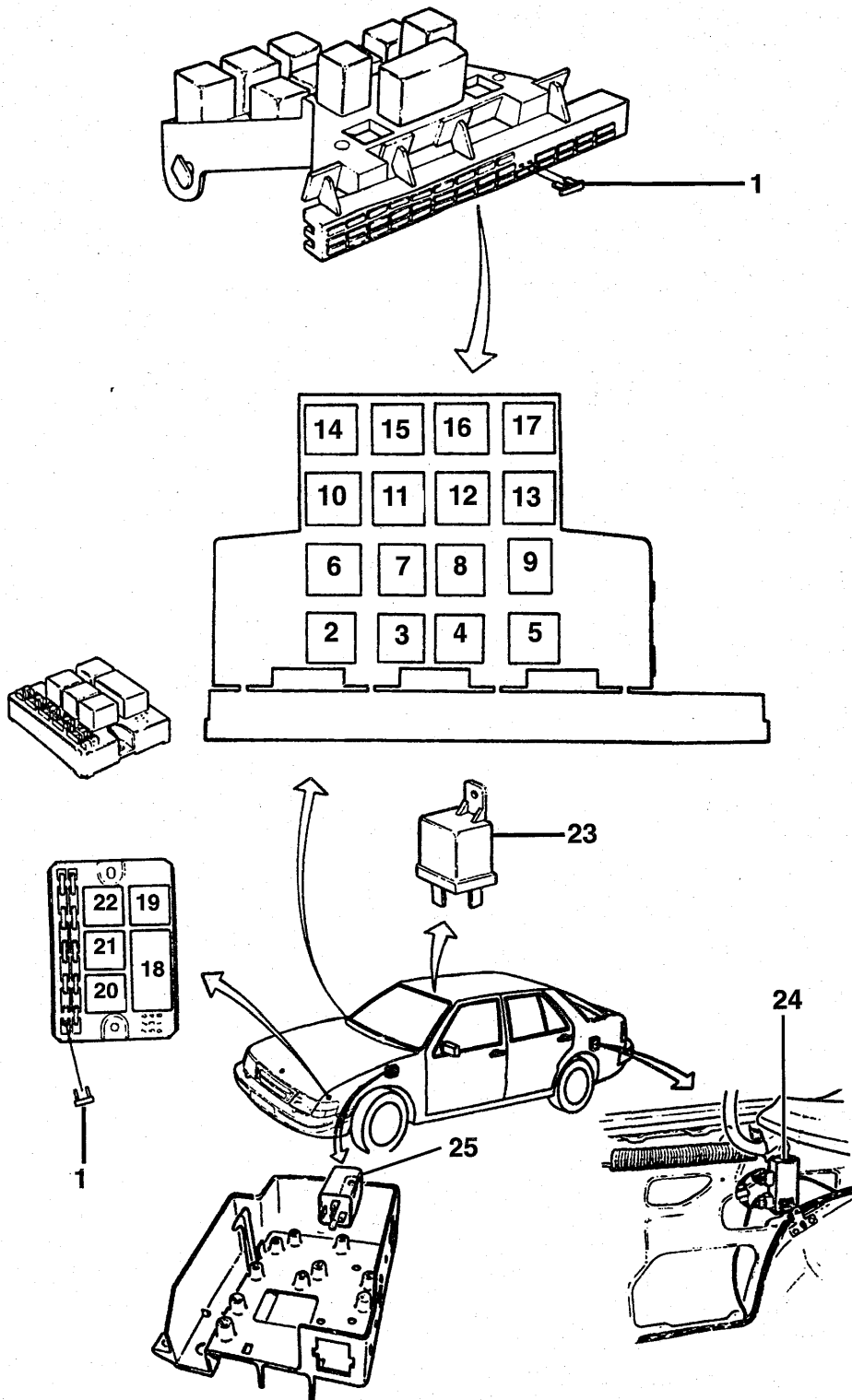
| KEY | DESCRIPTION | PART NUMBER | QTY. | NOTES |
|-----|-----------------------------------|-------------|------|---------------|
| 1 | Fuse, 10A | 79 74 637 | X | |
| 1 | Fuse, 15A | 79 74 645 | X | |
| 1 | Fuse, 20A | 79 74 652 | X | |
| 1 | Fuse, 25A | 79 74 660 | X | |
| 1 | Fuse, 30A | 79 74 678 | X | |
| 2 | Relay, Belt Warning | 95 63 313 | 1 | |
| 3 | Relay, Bulb Control, Retrofit Kit | 85 47 663 | 1 | (9509951) |
| 4 | Relay, Horn | 85 22 310 | 1 | |
| 5 | Relay, Rear Demister | 85 22 310 | 1 | |
| 7 | Relay, AC Cooling Fan | 85 36 401 | 1 | |
| 8 | Relay, Ignition Lock | 95 22 061 | 1 | |
| 9 | Relay, LH System | 85 36 401 | 1 | |
| 10 | Relay, Fuel Pump | 85 36 401 | 1 | |
| 11 | Relay, Signal Amplifier | 95 18 481 | 1 | |
| 12 | Relay, Light | 85 22 310 | 1 | |
| 13 | Interval Relay, Wiper | 85 53 463 | 1 | |
| 14 | Time Relay, Interior Light | 95 15 099 | 1 | |
| 15 | Flasher Unit | 85 83 627 | 1 | |
| 16 | Relay, Upshift System | 85 91 729 | 1 | |
| 17 | Relay, Time, Cooling Fan | 95 58 073 | 1 | |
| 18 | Relay, Fog Light | 95 19 224 | 1 | |
| 19 | Relay, Power Window | 95 12 823 | 1 | "POWER TOUCH" |



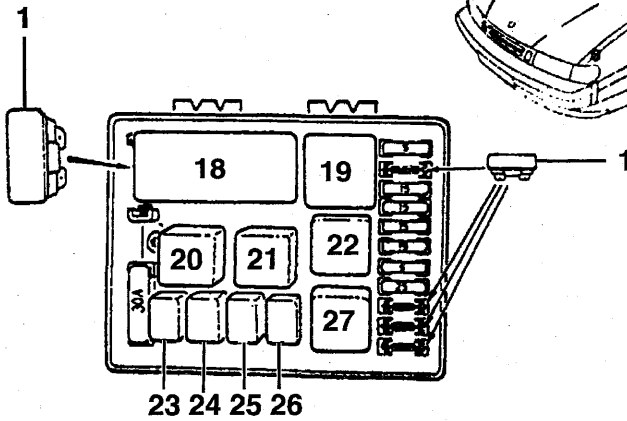
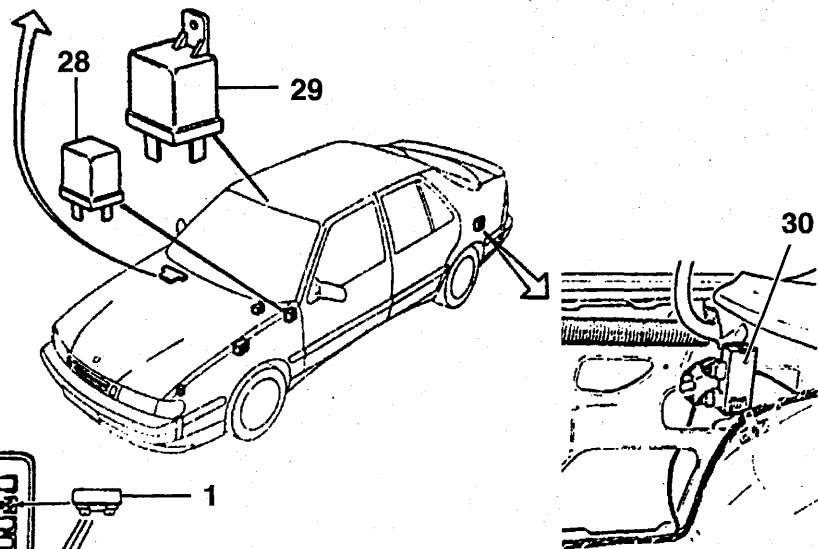
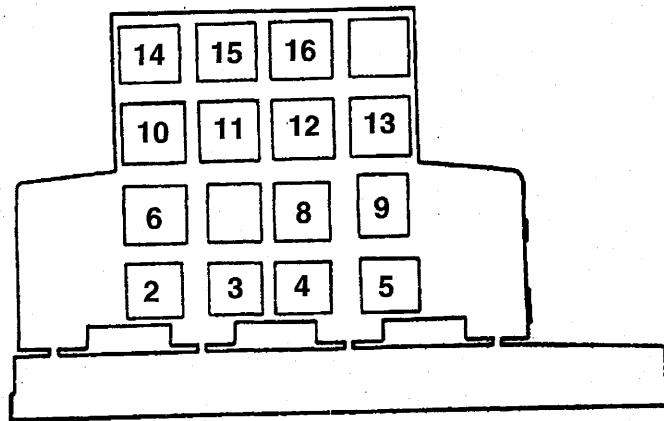
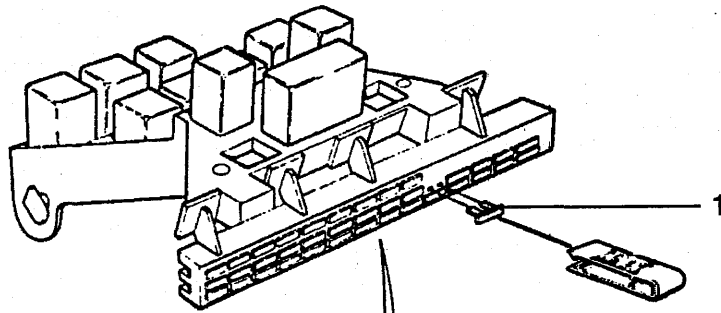
| KEY | DESCRIPTION | PART NUMBER | QTY. | NOTES |
|-----|--------------------------------|-------------|------|---------------------|
| 1 | Fuse, 5A | 79 74 611 | X | |
| 1 | Fuse, 10A | 79 74 637 | X | |
| 1 | Fuse, 15A | 79 74 645 | X | |
| 1 | Fuse, 20A | 79 74 652 | X | |
| 1 | Fuse, 25A | 79 74 660 | X | |
| 1 | Fuse, 30A | 79 74 678 | X | |
| 2 | Relay, Belt Warning | 95 63 313 | 1 | |
| 3 | Relay, Bulb Control | 95 64 139 | 1 | |
| 4 | Relay, Time, Cooling Fan | 95 26 765 | 1 | 1988 |
| 4 | Relay, Horn | 85 22 310 | 1 | 1989> |
| 5 | Relay, Rear Demister | 85 22 310 | 1 | |
| 5 | Relay, Rear Demister | 95 19 133 | 1 | For Cars With ACC |
| 6 | Relay, ACC | 41 79 933 | 1 | 1989> B202, AC, ACC |
| 6 | Relay, AC, ACC | 85 36 401 | 1 | B234 |
| 7 | Relay, AC Cooling Fan | 85 36 401 | 1 | 1988 |
| 7 | Relay, Back-Up Light | 85 22 310 | 1 | 1991> Auto. Trans. |
| 8 | Relay, Ignition Lock | 95 22 061 | 1 | |
| 9 | Relay, LH System | 85 36 401 | 1 | |
| 10 | Relay, Fuel Pump | 85 36 401 | 1 | |
| 13 | Interval Relay, Wiper | 85 53 463 | 1 | |
| 14 | Time Relay, Interior Light | 95 15 099 | 1 | |
| 15 | Flasher Unit | 85 83 627 | 1 | |
| 16 | Relay, Upshift System | 85 91 729 | 1 | 1988 Turbo |
| 16 | Relay, Upshift System | 95 64 717 | 1 | 1988 Fuel Injection |
| 16 | Relay, Daylight Driving Lights | 95 56 390 | 1 | 1991> |
| 17 | Relay, Light | 95 53 546 | 1 | >1990 |
| 17 | Relay, Light | 44 33 801 | 1 | 1991> |
| 18 | Relay, Bulb Control | 95 19 224 | 1 | >1989 |
| 18 | Relay, Bulb Control | 41 09 070 | 1 | 1990> |
| 19 | Relay, Fog Light | 95 19 224 | 1 | >1989 |
| 19 | Relay, Fog Light | 85 22 310 | 1 | 1990> |
| 20 | Relay, Time, Cooling Fan | 95 26 765 | 1 | 1989> |
| 21 | Relay, Horn | 85 22 310 | 1 | 1988 |
| 21 | Relay, Cooling Fan 2 Step | 85 36 401 | 1 | 1989> |
| 22 | Relay, Power Windows, | 95 12 823 | 1 | >1989 "ONE TOUCH" |
| 22 | Relay, Sunroof | 95 05 793 | 1 | 1990> |
| 23 | Relay, ABS | 85 33 176 | 1 | >1989 |
| 24 | Relay, ABS | 95 22 822 | 1 | >1989 |



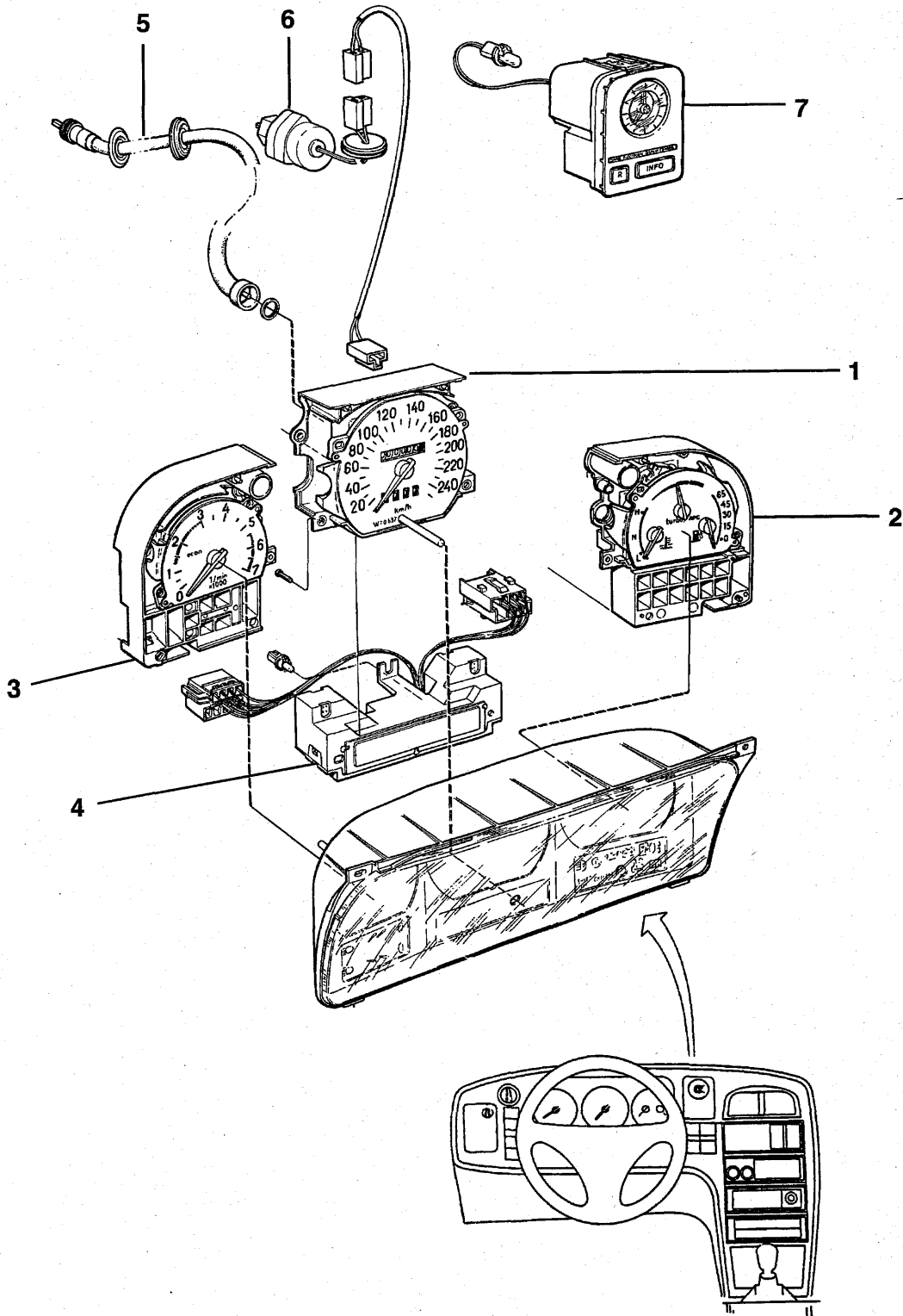
| KEY | DESCRIPTION | PART NUMBER | QTY. | NOTES |
|-----|----------------------------------|-------------|------|--|
| 1 | Fuse, 5A | 79 74 611 | X | |
| 1 | Fuse, 10A | 79 74 637 | X | |
| 1 | Fuse, 15A | 79 74 645 | X | |
| 1 | Fuse, 20A | 79 74 652 | X | |
| 1 | Fuse, 25A | 79 74 660 | X | |
| 1 | Fuse, 30A | 79 74 678 | X | |
| 1 | Fuse, 40A | 40 87 698 | X | |
| 2 | Relay, Belt Warning | 95 63 313 | 1 | |
| 3 | Relay, Pressure Monitor, AC, ACC | 85 22 310 | 1 | 1993> VIN >R1025003 |
| 3 | Relay, Pressure Monitor, AC, ACC | 85 33 176 | 1 | VIN R1025004> |
| 4 | Relay, Rear Window Wiper | 85 53 463 | 1 | 1993> |
| 5 | Relay, Horn | 85 22 310 | 1 | 1992> VIN >R1025003 |
| 5 | Relay, Horn | 85 33 176 | 1 | VIN R1025004> >1994 |
| 6 | Relay, Rear Demister | 95 19 133 | 1 | 1992 |
| 6 | Relay, Rear Demister | 85 22 310 | 1 | 1992 For Cars With ACC |
| 6 | Relay, Rear Demister | 95 19 133 | 1 | 1993 |
| 6 | Relay, Rear Demister | 85 22 310 | 1 | 1993 For Cars With ACC |
| 6 | Relay, Fuel Pump | 85 22 310 | 1 | 1994> VIN >R1025003 |
| 6 | Relay, Fuel Pump | 85 33 176 | 1 | VIN R1025004> |
| 7 | Relay, AC, ACC | 85 36 401 | 1 | |
| 8 | Relay, Back-Up Light | 85 22 310 | 1 | 1992> VIN >R1025003 Auto. Trans. |
| 8 | Relay, Back-Up Light | 85 33 176 | 1 | VIN R1025004> |
| 9 | Relay, Ignition Lock | 95 22 061 | 1 | |
| 10 | Relay, LH System | 85 36 401 | 1 | 1992> VIN >R1025003 |
| 10 | Relay, LH System | 85 33 176 | 1 | VIN R1025004> >1994 |
| 11 | Relay, Fuel Pump | 85 36 401 | 1 | 1992-9 |
| 11 | Relay, Rear Demister | 95 19 133 | 1 | 1994 |
| 11 | Relay, Rear Demister | 85 22 310 | 1 | 1994> VIN >R1025003 For Cars With ACC |
| 11 | Relay, Rear Demister | 85 33 176 | 1 | VIN R1025004> For Cars With ACC |
| 12 | Relay, Main, ETS | 85 22 310 | 1 | 1992> VIN >R1025003 |
| 12 | Relay, Main, ETS | 85 33 176 | 1 | VIN R1025004> |
| 13 | Relay, Fog Light | 85 22 310 | 1 | 1992> VIN >R1025003 |
| 13 | Relay, Fog Light | 85 33 176 | 1 | VIN R1025004> >1994 |
| 14 | Relay, Intermittent Wiper | 85 53 463 | 1 | |
| 15 | Relay, Interior Light | 95 15 099 | 1 | |
| 16 | Flasher Unit | 41 11 522 | 1 | |



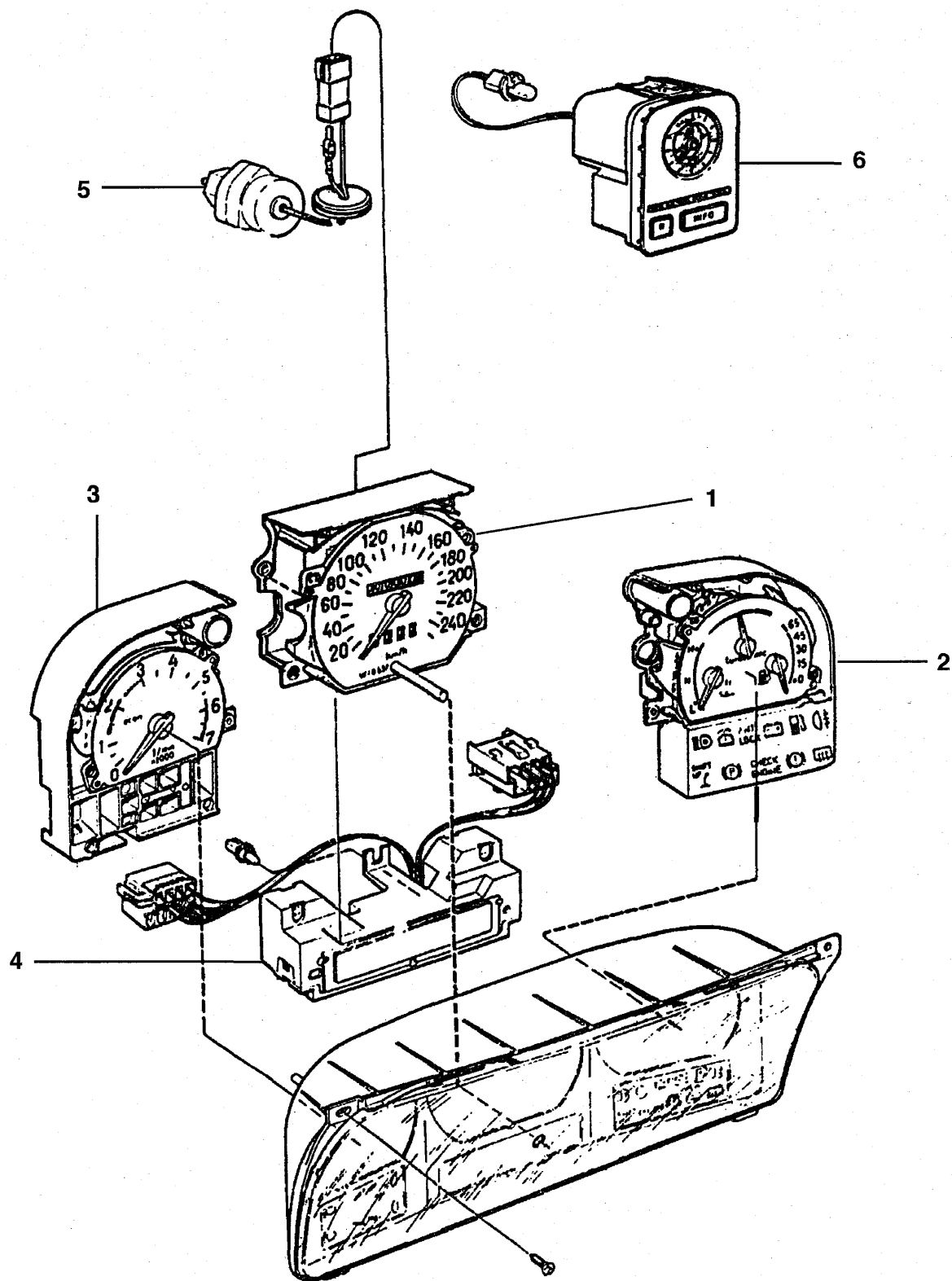
| KEY | DESCRIPTION | PART NUMBER | QTY. | NOTES |
|-----|--------------------------------|-------------|------|-------------------------|
| 16 | Flasher Unit | 41 14 971 | 1 | 5CS |
| 17 | Relay, Daylight Driving Lights | 95 56 390 | 1 | 1992-93 |
| 18 | Relay, Light | 44 33 801 | 1 | |
| 19 | Relay, Bulb Check | 41 09 070 | 1 | |
| 20 | Relay, Daylight Driving Lights | 85 22 310 | 1 | 5CS VIN >R1025003 |
| 20 | Relay, Daylight Driving Lights | 85 33 176 | 1 | 5CS VIN R1025004> >1994 |
| 21 | Relay, Cooling Fan 2 Step | 85 36 401 | 1 | 1992 |
| 21 | Relay, Cooling Fan | 85 22 310 | 1 | 1992> VIN >R1025003 |
| 22 | Relay, Sun Roof | 43 05 918 | 1 | 1992 |
| 22 | Relay, Cooling Fan 2 Step | 95 22 061 | 1 | |
| 23 | Relay, Sunroof | 95 05 793 | 1 | VIN >P1032028 |
| 23 | Relay, Sunroof | 43 05 918 | 1 | VIN P1032029> |
| 24 | Relay, Bulb Check, Rear | 41 09 088 | 1 | |
| 25 | Relay, Parking Brake | 95 63 099 | 1 | 1993> Auto. Trans. |



| KEY | DESCRIPTION | PART NUMBER | QTY. | NOTES |
|-----|-------------------------------------|-------------|------|-------------------|
| 1 | Fuse, 5A | 79 74 611 | X | |
| 1 | Fuse, 10A | 79 74 637 | X | |
| 1 | Fuse, 15A | 79 74 645 | X | |
| 1 | Fuse, 20A | 79 74 652 | X | |
| 1 | Fuse, 25A | 79 74 660 | X | |
| 1 | Fuse, 30A | 79 74 678 | X | |
| 1 | Fuse, 30A Maxi | 79 83 034 | X | |
| 1 | Fuse, 40A | 40 87 698 | X | |
| 2 | Relay, Belt Warning | 95 63 313 | 1 | |
| 3 | Relay, Parking Brake | 85 33 176 | 1 | Auto. Trans. |
| 4 | Relay, Rear Window Wiper | 85 53 463 | 1 | |
| 5 | Relay, Rear Window Wiper/Washer | 85 33 176 | 1 | |
| 6 | Relay, Fuel Pump | 85 33 176 | 1 | |
| 8 | Relay, Back-Up Light | 85 33 176 | 1 | |
| 9 | Relay, Ignition Lock | 95 22 061 | 1 | |
| 10 | Relay, Engine Management System | 85 33 176 | 1 | |
| 11 | Relay, Rear Demister | 95 19 133 | 1 | |
| 11 | Relay, Rear Demister | 85 33 176 | 1 | For Cars With ACC |
| 12 | Relay, Main, ETS Turbo | 85 33 176 | 1 | 1995 |
| 13 | Relay, Starter Inhibitor Anti-Theft | 85 33 176 | 1 | |
| 14 | Relay, Intermittent Wiper | 85 53 463 | 1 | |
| 15 | Relay, Interior Light | 95 15 099 | 1 | |
| 16 | Flasher Unit | 41 11 522 | 1 | |
| 16 | Flasher Unit | 41 14 971 | 1 | 5CS |
| 18 | Relay, Light | 44 33 801 | 1 | |
| 19 | Relay, Bulb Check | 41 09 070 | 1 | |
| 20 | Relay, Air Pump, SAI | 95 22 061 | 1 | |
| 21 | Relay, Cooling Fan 2 Stage | 95 22 061 | 1 | |
| 22 | Relay, AC, ACC | 85 36 401 | 1 | |
| 23 | Relay, Fog Light | 42 24 192 | 1 | |
| 24 | Relay, Pressure Monitor, AC, ACC | 42 24 192 | 1 | |
| 25 | Relay, Daylight Driving Lights | 42 24 192 | 1 | |
| 26 | Relay, Horn | 42 24 192 | 1 | |
| 27 | Relay, Cooling Fan | 85 22 310 | 1 | |
| 29 | Relay, Sunroof | 43 05 918 | 1 | |
| 30 | Relay, Bulb Check, Rear | 41 09 088 | 1 | VIN >S1031661 |
| 30 | Relay, Bulb Check, Rear | 46 69 065 | 1 | VIN S1031662> |



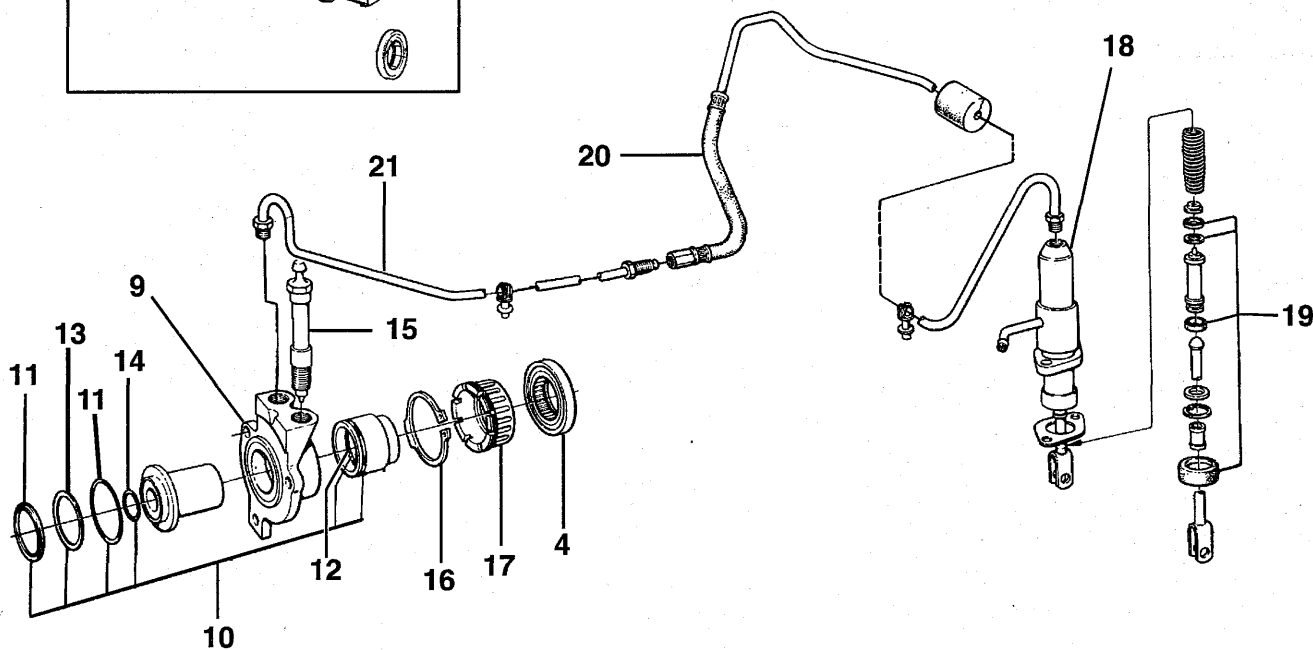
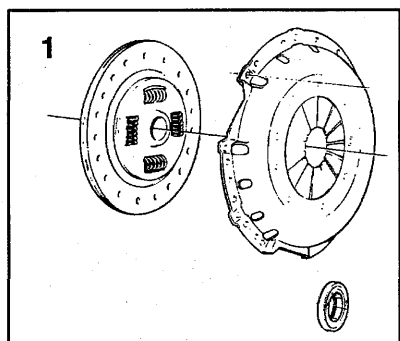
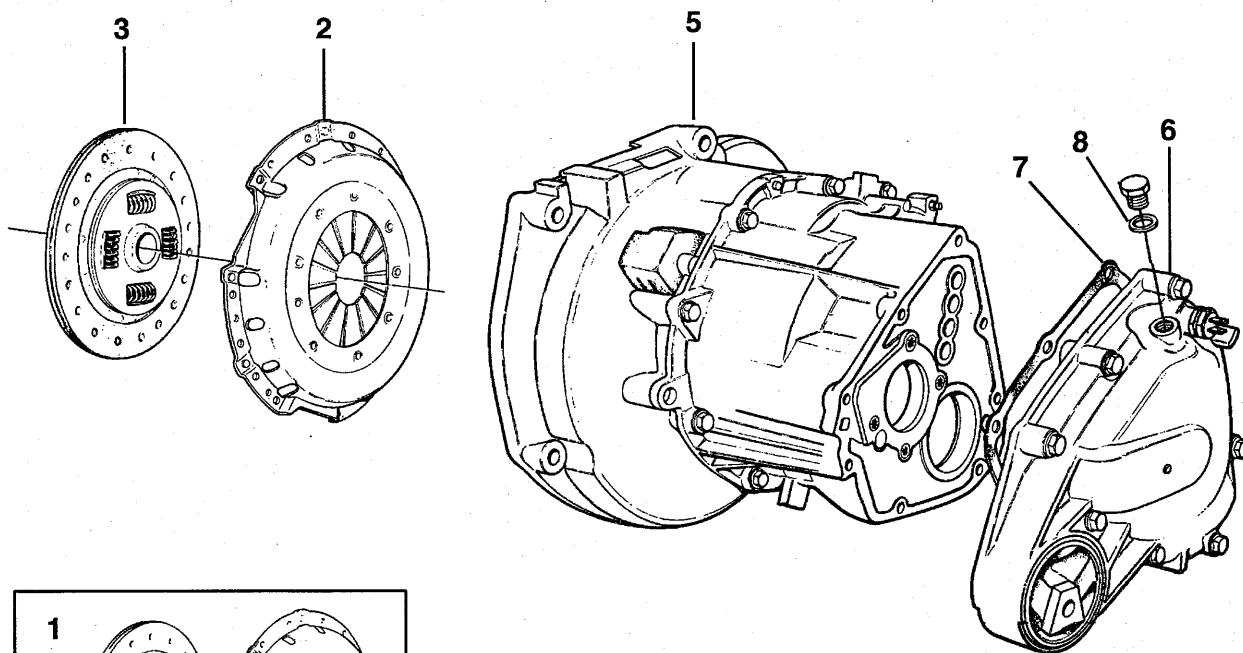
| KEY | DESCRIPTION | PART NUMBER | QTY. | NOTES |
|-----|------------------------|-------------|------|----------------------|
| 1 | Speedometer | 95 04 721 | 1 | 1986 Manual Trans. |
| 1 | Speedometer | 95 21 097 | 1 | 1986 Auto. Trans. |
| 1 | Speedometer | 95 21 097 | 1 | 1987 |
| 1 | Speedometer | 95 21 097 | 1 | 1988 Fuel Injection |
| 1 | Speedometer | 91 21 732 | 1 | 1988> Turbo |
| 1 | Speedometer | 91 21 989 | 1 | 4D |
| 2 | Combination Instrument | 95 13 979 | 1 | 1986 Turbo |
| 2 | Combination Instrument | 95 20 917 | 1 | 1987 Turbo |
| 2 | Combination Instrument | 95 25 858 | 1 | 1988 Turbo |
| 2 | Combination Instrument | 95 65 193 | 1 | 1989 Turbo |
| 2 | Combination Instrument | 95 20 909 | 1 | 1987 Fuel Injection |
| 2 | Combination Instrument | 95 25 833 | 1 | 1988 Fuel Injection |
| 2 | Combination Instrument | 95 65 318 | 1 | 1989 Fuel Injection |
| 3 | Tachometer | 95 14 845 | 1 | >1987 |
| 3 | Tachometer | 95 67 801 | 1 | 1988 |
| 3 | Tachometer | 95 67 850 | 1 | 1989 |
| 4 | Display, EDU 2 | 88 27 040 | 1 | Turbo |
| 4 | Display, EDU 1 | 88 27 065 | 1 | 1987 Fuel Injection |
| 4 | Display, EDU 2 | 88 27 073 | 1 | 1988> Fuel Injection |
| 5 | Speedometer Cable | 95 18 150 | 1 | 1986 Manual Trans. |
| 6 | Speed Sensor | 91 23 324 | 1 | |
| 7 | Clock | 95 13 334 | 1 | |



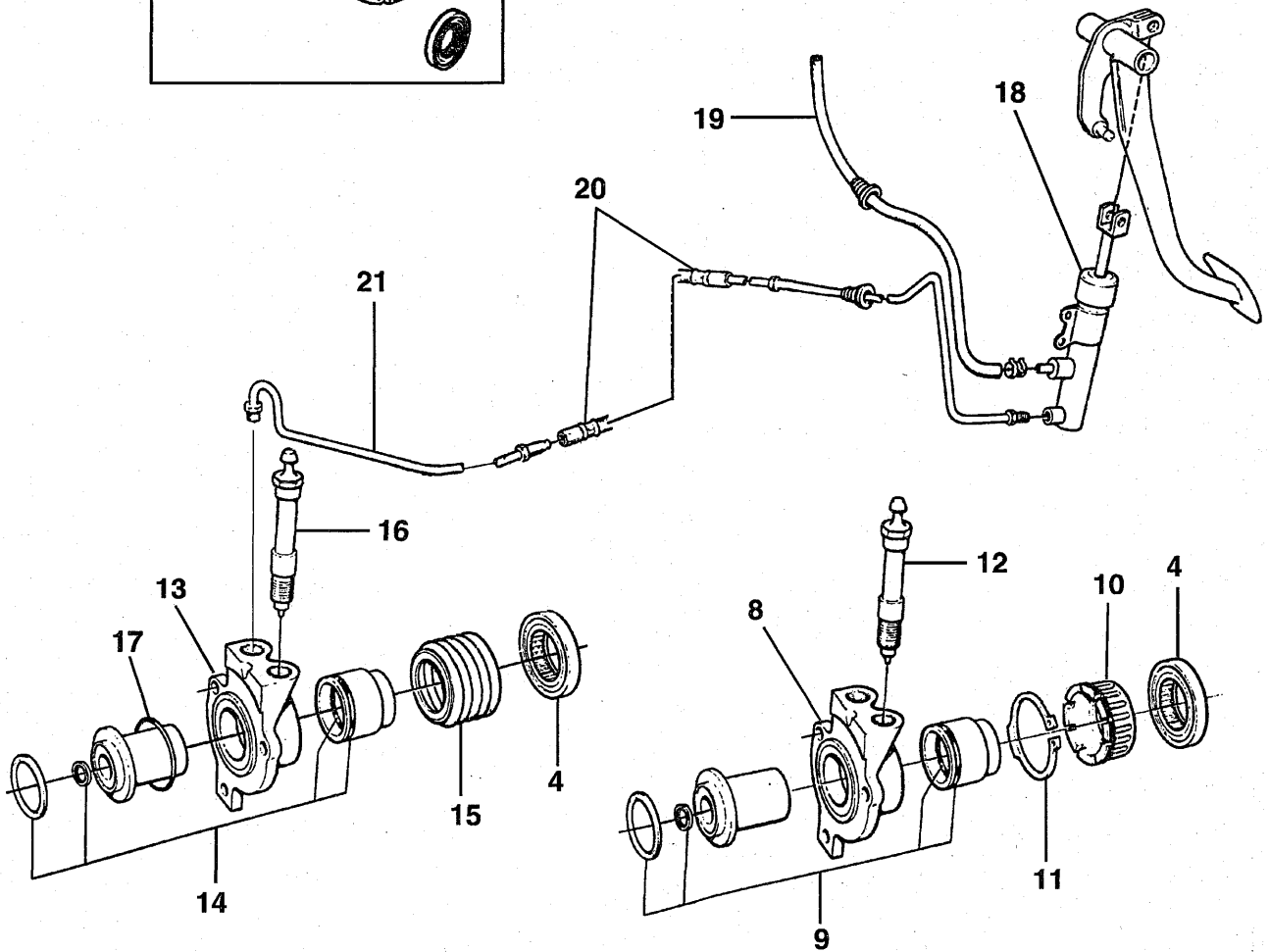
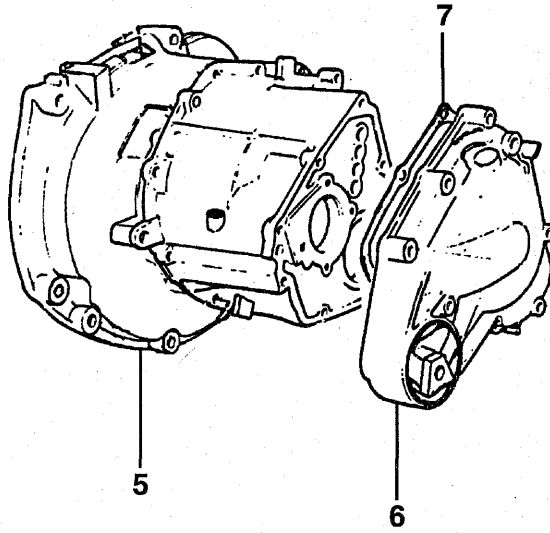
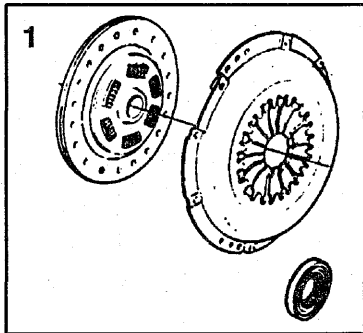
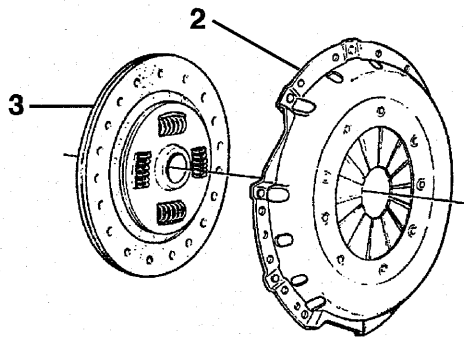
| KEY | DESCRIPTION | PART NUMBER | QTY. | NOTES |
|-----|------------------------|-------------|------|---------------------------|
| 1 | Speedometer | 40 62 659 | 1 | Fuel Injection >1991 |
| 1 | Speedometer | 40 62 667 | 1 | Turbo >1991 |
| 1 | Speedometer | 40 62 709 | 1 | 4D >1991 |
| 1 | Speedometer | 40 84 109 | 1 | 1992-93 Turbo |
| 1 | Speedometer | 40 84 158 | 1 | 1992-93 |
| 1 | Speedometer | 44 28 587 | 1 | 1994> |
| 2 | Combination Instrument | 40 62 196 | 1 | 1990 Turbo |
| 2 | Combination Instrument | 41 74 405 | 1 | 1991-93 Turbo |
| 2 | Combination Instrument | 44 28 645 | 1 | 1994 Turbo |
| 2 | Combination Instrument | 45 18 700 | 1 | 1995> Turbo |
| 2 | Combination Instrument | 40 62 238 | 1 | >1993 Fuel Injection |
| 2 | Combination Instrument | 44 28 686 | 1 | 1994 Fuel Injection |
| 2 | Combination Instrument | 45 18 742 | 1 | B308 Fuel Injection 1995> |
| 3 | Tachometer | 41 08 031 | 1 | 1990 |
| 3 | Tachometer | 41 10 631 | 1 | 1991 |
| 3 | Tachometer | 40 84 067 | 1 | 1992-93 |
| 3 | Tachometer | 44 28 512 | 1 | 1994> |
| 3 | Tachometer | 44 27 506 | 1 | B308 |
| 4 | Display, EDU 3 | 85 48 661 | 1 | >1994 Manual Trans. |
| 4 | Display, EDU 3 | 47 11 529 | 1 | 1995> Manual Trans. |
| 4 | Display, EDU 3 | 85 48 679 | 1 | >1994 Auto. Trans. |
| 4 | Display, EDU 3 | 47 11 537 | 1 | 1995> Auto. Trans. |
| 5 | Speed Sensor | 91 23 324 | 1 | >1991 |
| 5 | Speed Sensor | 40 83 804 | 1 | 1992> |
| 6 | Clock | 95 13 334 | 1 | |

| | Page |
|---------------------------------|-------------|
| Gear Box, Manual >1989 | 04-3 |
| Gear Box, Manual 1990> | 04-5 |
| Gear Box, Automatic >1989 | 04-9 |
| Gear Box, Automatic 1990> | 04-11 |
| Driveshafts >1993..... | 04-15 |
| Driveshafts 1994>..... | 04-17 |

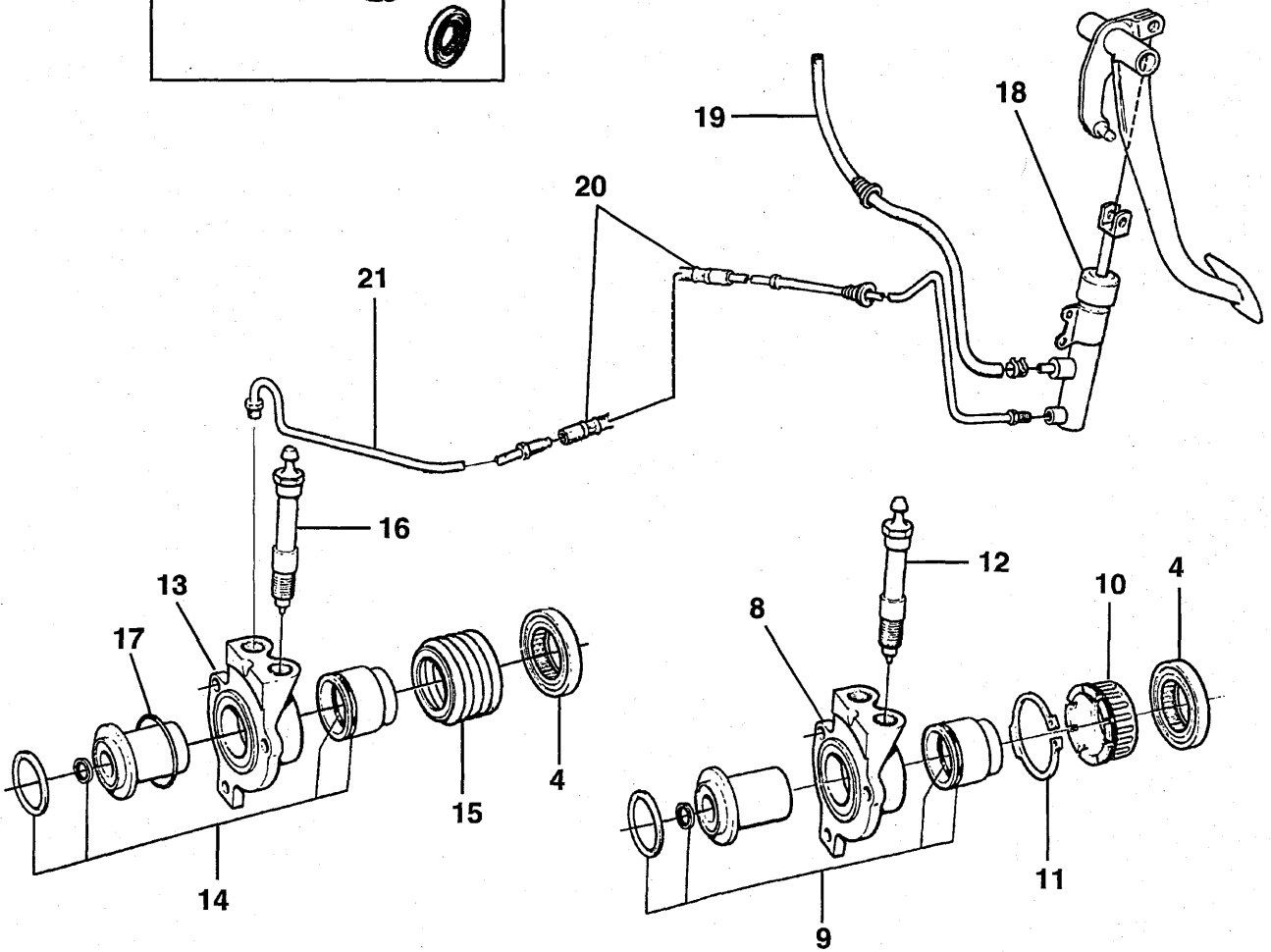
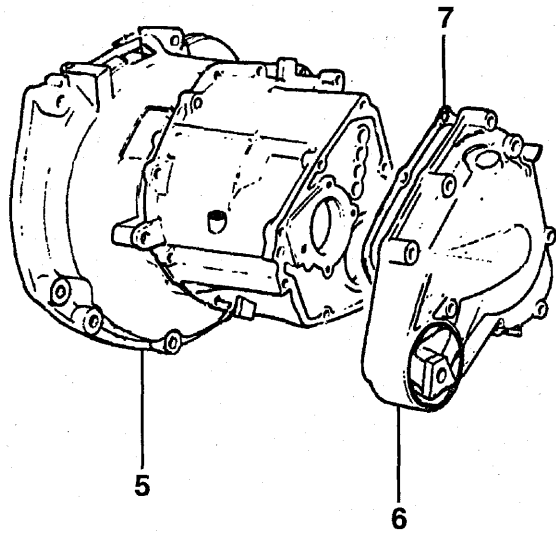
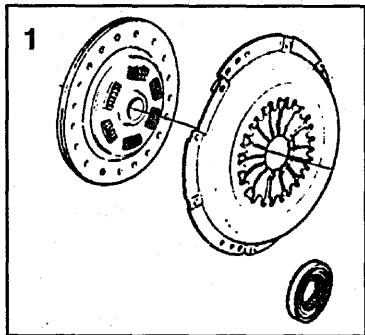
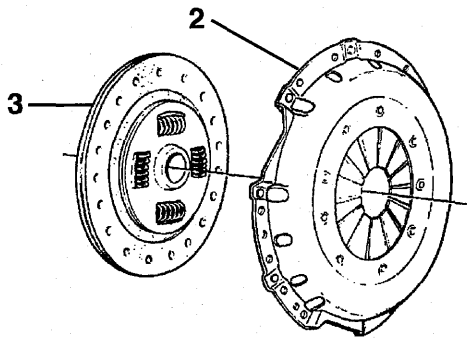
Gear Box, Manual >1989



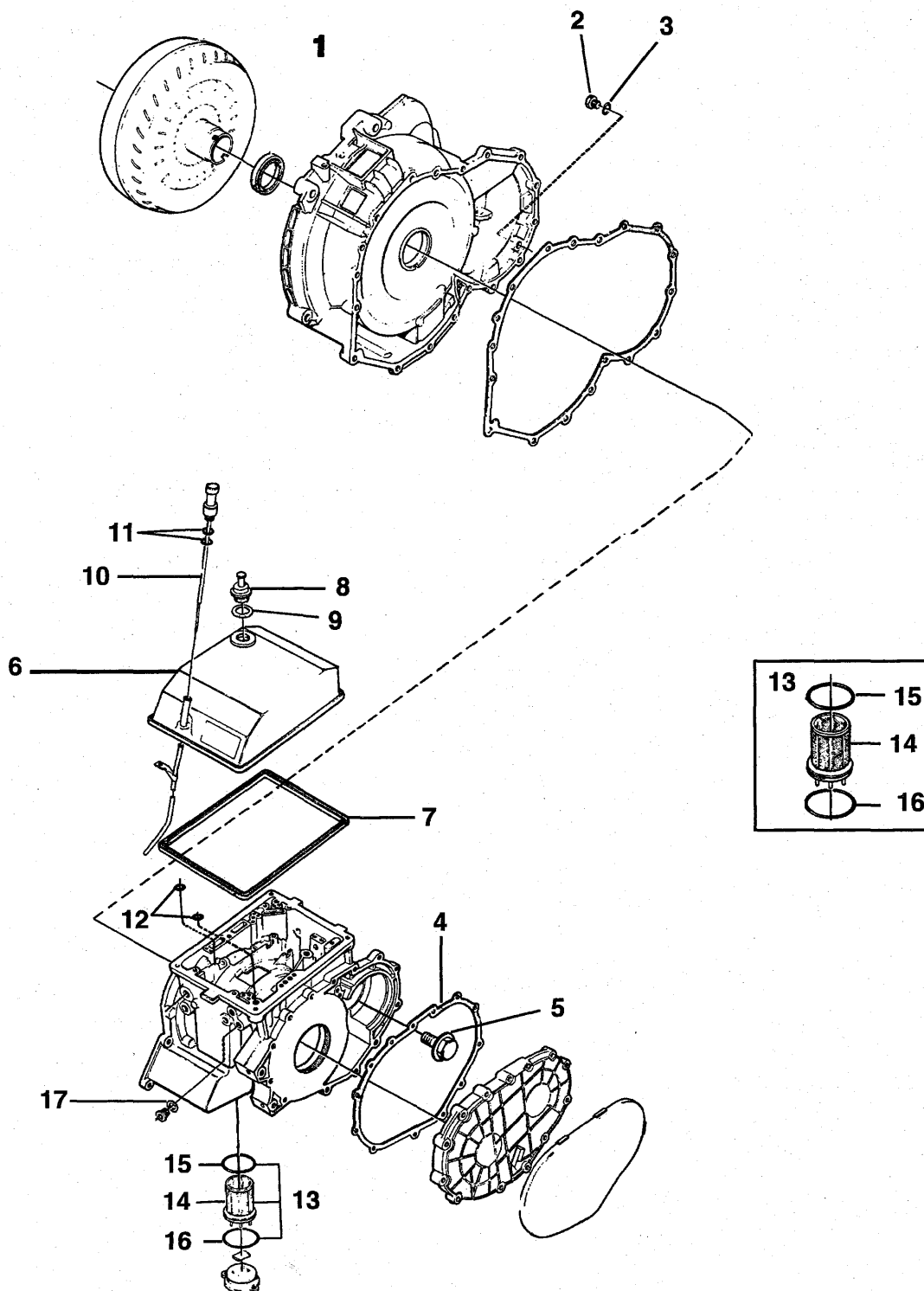
| KEY | DESCRIPTION | PART NUMBER | QTY. | NOTES |
|-----|---------------------------------------|-------------|------|--------------------------------|
| 1 | Repair Kit, Clutch | 87 81 320 | X | Turbo, Asbestos Free |
| 2 | Pressure Plate | 87 22 589 | 1 | Turbo Included In Kit |
| 3 | Clutch Disc | 87 27 695 | 1 | Turbo Included In Kit |
| 4 | Release Bearing | 87 21 995 | 1 | Turbo Included In Kit |
| 1 | Repair Kit, Clutch | 87 81 338 | 1 | Fuel Injection, Asbestos Free |
| 2 | Pressure Plate | 87 28 123 | 1 | Fuel Injection Included In Kit |
| 3 | Clutch Disc | 87 30 806 | 1 | Fuel Injection Included In Kit |
| 4 | Release Bearing | 87 21 995 | 1 | Fuel Injection Included In Kit |
| 5 | Gear Box Assembly, Marked GMT 5401 | 88 23 700 | 1 | 1986-87 Turbo |
| 5 | Gear Box Assembly, Marked GMT 5203 | 88 23 965 | 1 | 1987 Fuel Injection |
| 5 | Gear Box Assembly, Marked GM 65101 | 88 23 973 | 1 | 1988 Fuel Injection |
| 5 | Gear Box Assembly, Marked GM 75401 | 88 23 700 | 1 | 1988 Turbo |
| 5 | Gear Box Assembly, Marked GM 65102 | 88 23 981 | 1 | 1989 Fuel Injection |
| 5 | Gear Box Assembly, Marked GM 75301 | 88 23 718 | 1 | 1989 Turbo |
| 6 | Front Cover | 87 24 619 | 1 | Included With Gear Box |
| 7 | Gasket | 87 28 685 | 1 | Included With Gear Box |
| 8 | Washer | 70 61 328 | 4 | Included With Gear Box |
| 9 | Slave Cylinder Assembly | 87 81 189 | 1 | Included With Gear Box |
| 10 | Seal Kit | 87 81 122 | 1 | Included With Cylinder |
| 11 | O-Ring | 87 33 198 | 1 | Included With Seal Kit |
| 12 | O-Ring | 87 81 072 | 1 | Available In Seal Kit Only |
| 13 | O-Ring | 87 33 198 | 1 | Included With Kit |
| 14 | Seal Ring | 87 81 122 | 1 | Available In Seal Kit Only |
| 15 | Nipple | 87 22 746 | 1 | Included With Cylinder |
| 16 | Lock Ring | 87 14 420 | 1 | Included With Cylinder |
| 17 | Sleeve | 87 22 100 | 1 | Included With Cylinder |
| 18 | Master Cylinder Assembly | 43 85 001 | 1 | |
| 19 | Seal Kit | 89 93 156 | 1 | Included With Cylinder |
| 20 | Hose | 89 66 806 | 1 | |
| 21 | Pipe | 40 28 742 | 1 | |



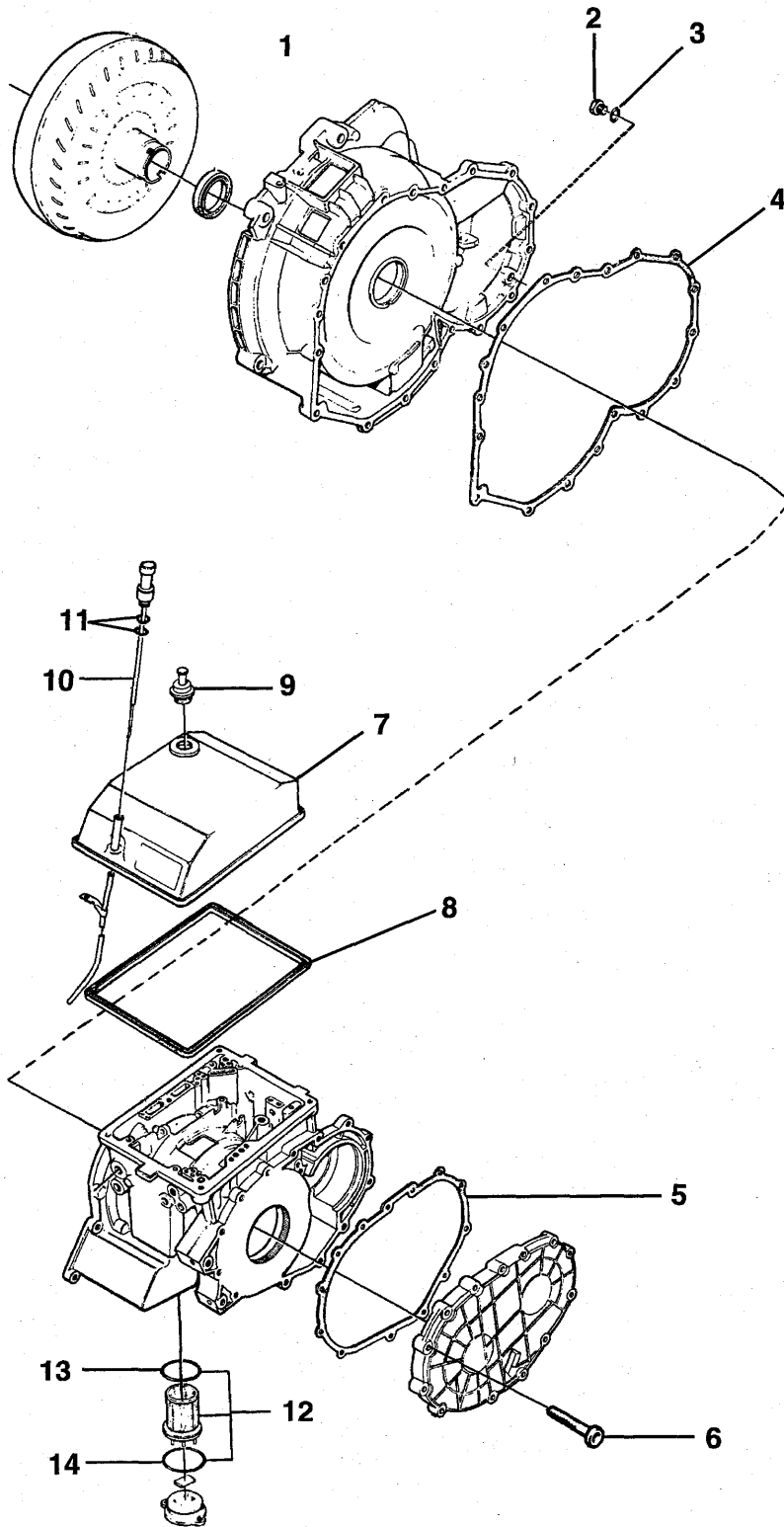
| KEY | DESCRIPTION | PART NUMBER | QTY. | NOTES |
|-----|---------------------------------------|-------------|------|---|
| 1 | Repair Kit, Clutch | 87 81 353 | X | B234 Turbo >1993 |
| 2 | Pressure Plate | 87 28 289 | 1 | Included In Kit |
| 3 | Clutch Disc | 87 28 297 | 1 | Included In Kit |
| 4 | Release Bearing | 87 21 995 | 1 | Included In Kit |
| 1 | Repair Kit, clutch | 87 81 320 | X | B202 Turbo |
| 2 | Pressure Plate | 87 27 190 | 1 | B202 Turbo |
| 3 | Clutch Disc | 87 27 695 | 1 | B202 Turbo |
| 4 | Release Bearing | 87 21 995 | 1 | B202 Turbo |
| 1 | Repair Kit, Clutch | 87 81 551 | X | 1994> Turbo |
| 2 | Pressure Plate | 87 36 761 | 1 | Included In Kit |
| 3 | Clutch Disc | 87 46 786 | 1 | Included In Kit |
| 4 | Release Bearing | 87 21 995 | 1 | Included In Kit |
| 1 | Repair Kit, Clutch | 87 81 312 | X | B202 Fuel Injection |
| 2 | Pressure Plate | 87 28 123 | 1 | Included In Kit |
| 3 | Clutch Disc | 87 27 935 | 1 | Included In Kit |
| 4 | Release Bearing | 87 21 995 | 1 | Included In Kit |
| 1 | Repair Kit, Clutch | 87 81 338 | X | >1993 B234 Fuel Injection |
| 2 | Pressure Plate | 87 28 123 | 1 | Included In Kit |
| 3 | Clutch Disc | 87 30 806 | 1 | Included In Kit |
| 4 | Release Bearing | 87 21 995 | 1 | Included In Kit |
| 1 | Repair Kit, Clutch | 87 81 569 | X | 1994 Fuel Injection 4 Cylinder |
| 2 | Pressure Plate | 87 36 423 | 1 | Included In Kit |
| 3 | Clutch Disc | 87 44 070 | 1 | Included In Kit |
| 4 | Release Bearing | 87 21 995 | 1 | Included In Kit |
| 1 | Repair Kit, Clutch | 87 81 551 | X | Turbo 1994> |
| 2 | Pressure Plate | 87 36 761 | 1 | Included In Kit |
| 3 | Clutch Disc | 87 46 786 | 1 | Included In Kit |
| 4 | Release Bearing | 87 21 995 | 1 | Included In Kit |
| 1 | Repair Kit, Clutch | 87 81 692 | X | 6 Cylinder |
| 2 | Pressure Plate | 87 36 761 | 1 | Included In Kit |
| 3 | Clutch Disc | 87 46 786 | 1 | Included In Kit |
| 4 | Release Bearing | 87 21 995 | 1 | Included In Kit |
| 5 | Gear Box Assembly, GM65102 | 88 23 981 | 1 | B202 Fuel Injection VIN >L1002453, >L2001777 |
| 5 | Gear Box Assembly, Marked GM 65103 | 88 25 283 | 1 | B202 Fuel Injection VIN L1002454>, L2001778> |
| 5 | Gear Box Assembly, Marked GM 75402 | 88 23 726 | 1 | B202 Turbo |



| KEY | DESCRIPTION | PART NUMBER | QTY. | NOTES |
|-----|---------------------------------------|-------------|------|-------------------------------|
| 5 | Gear Box Assembly, Marked GM 65103 | 88 25 283 | 1 | >1993 B234 Fuel Injection |
| 5 | Gear Box Assembly, Marked FM 51001 | 82 85 058 | 1 | 1994 B234 Fuel Injection |
| 5 | Gear Box Assembly, Marked FM 540XX | 88 28 725 | 1 | 1995> B234E |
| 5 | Gear Box Assembly, Marked GM 75403 | 88 25 192 | 1 | >1992 B234 Turbo |
| 5 | Gear Box Assembly, Marked GM 75701 | 88 25 457 | 1 | 1993 B234 Turbo |
| 5 | Gear Box Assembly, Marked FM 57101 | 82 85 066 | 1 | 1994> B234L, B234R |
| 6 | Front Cover Assembly | 87 28 107 | 1 | >1993 Included With Gear Box |
| 6 | Front Cover Assembly | 87 34 717 | 1 | 1994> Included With Gear Box |
| 7 | Gasket | 87 28 685 | 1 | >1993 Included With Gear Box |
| 7 | Gasket | 87 34 832 | 1 | 1994> Included With Gear Box. |
| 8 | Slave Cylinder Assembly | 87 81 189 | 1 | Gear Box >D41692 |
| 9 | Seal Kit | 87 81 122 | 1 | Included With Cylinder |
| 10 | Seal | 87 22 100 | 1 | Included With Cylinder |
| 11 | Snap Ring | 87 14 420 | 1 | Included With Cylinder |
| 12 | Nipple | 87 22 746 | 1 | Included With Cylinder |
| 13 | Slave Cylinder Assembly | 87 81 387 | 1 | Gear Box D14693> >1993 |
| 14 | Seal Kit | 87 81 395 | 1 | Included With Cylinder |
| 15 | Dust Cover | 87 29 618 | 1 | Included With Cylinder |
| 16 | Nipple | 87 22 746 | 1 | Included With Cylinder |
| 17 | Seal | 87 29 592 | 1 | Included With Cylinder |
| 13 | Slave Cylinder Assembly | 87 81 585 | 1 | 1994> |
| 14 | Seal Kit | 87 81 643 | 1 | Included With Cylinder |
| 15 | Dust Cover | 87 36 928 | 1 | Included With Cylinder |
| 16 | Nipple | 87 22 746 | 1 | Included With Cylinder |
| 17 | Seal | 87 36 928 | 1 | Included With Cylinder |
| 18 | Master Cylinder Assembly | 43 84 079 | 1 | |
| 19 | Hose | 43 85 043 | 1 | |
| 20 | Hose | 49 03 670 | 1 | |
| 21 | Tube | 40 29 369 | 1 | VIN >N1038309 |
| 21 | Tube | 44 77 022 | 1 | VIN N1038310> |



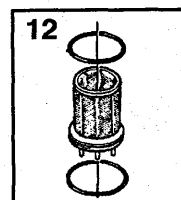
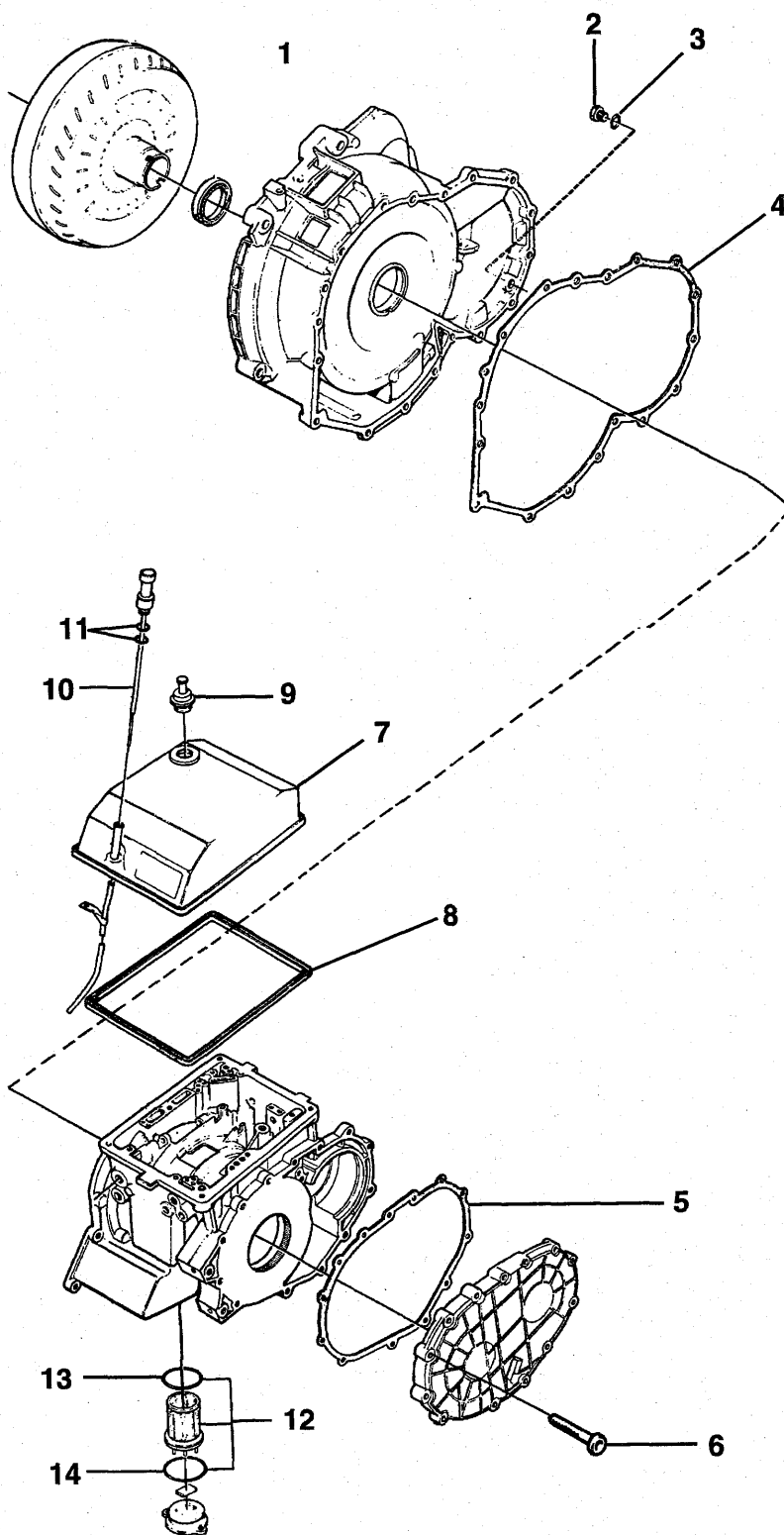
| KEY | DESCRIPTION | PART NUMBER | QTY. | NOTES |
|-----|--|-------------|------|------------------------------|
| 1 | Gear Box Assembly, Automatic, Marked GAT 4401 | 88 23 502 | 1 | 1986 Turbo |
| 1 | Gear Box Assembly, Automatic, Marked GAT 4301 | 88 23 510 | 1 | 1987 Turbo |
| 1 | Gear Box Assembly, Automatic, Marked GAT 4101 | 88 23 536 | 1 | 1987 Fuel Injection |
| 1 | Gear Box Assembly, Automatic, Marked GA 74301 | 88 23 528 | 1 | 1988 Turbo |
| 1 | Gear Box Assembly, Automatic, Marked GA 64101 | 88 23 544 | 1 | 1988 Fuel Injection |
| 1 | Gear Box Assembly, Automatic, Marked GA 74302 | 88 23 551 | 1 | 1989-89 1/2 Turbo |
| 1 | Gear Box Assembly, Automatic Marked GA 74303 | 88 23 734 | 1 | 1989 1/2> Turbo |
| 1 | Gear Box Assembly, Automatic, Marked GA 64102 | 88 23 569 | 1 | 1989-89 1/2 Fuel Injection |
| 1 | Gear Box Assembly, Automatic, Marked GA 64103 | 88 23 742 | 1 | 1989 1/2> Fuel Injection |
| 2 | Plug | 75 58 505 | 1 | Included With Gear Box |
| 3 | Seal Ring | 75 72 175 | 1 | Included With Gear Box |
| 4 | Gasket | 44 77 378 | 1 | Included With Gear Box |
| 5 | Screw | 75 97 347 | 1 | Included With Gear Box |
| 6 | Oil Pan | 47 75 086 | 1 | Included With Gear Box |
| 7 | Gasket | 75 92 330 | 1 | Included With Gear Box |
| 8 | Breather Assembly | 75 93 502 | 1 | Included With Gear Box |
| 9 | Seal Ring | 75 71 391 | 1 | Included With Gear Box |
| 10 | Dipstick Assembly | 40 26 449 | 1 | Included With Gear Box |
| 11 | O-Ring | 75 94 880 | 2 | Included With Dipstick |
| 12 | O-Ring | 75 94 146 | 2 | Turbo Included With Gear Box |
| 13 | Repair Kit, Filter | 75 75 525 | X | Included With Gear Box |
| 14 | Filter Element | 75 99 525 | 1 | Available In Kit Only |
| 15 | O-Ring | 75 94 187 | 1 | Included In Kit |
| 16 | O-Ring | 75 97 776 | 1 | Included With Gear Box |
| 17 | Seal Ring | 75 58 356 | 2 | Included With Gear Box |



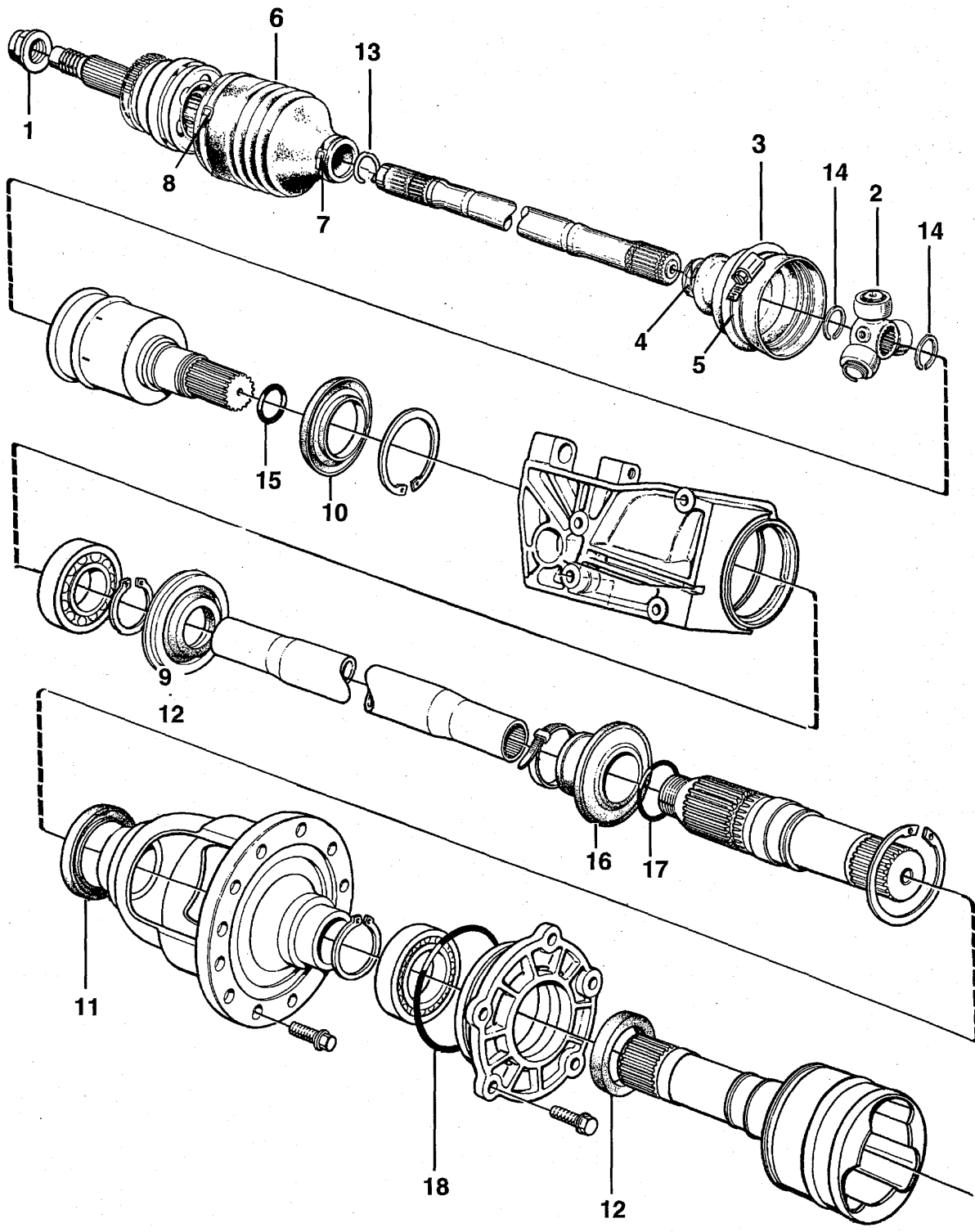
Transmission

Gear Box, Automatic 1990>

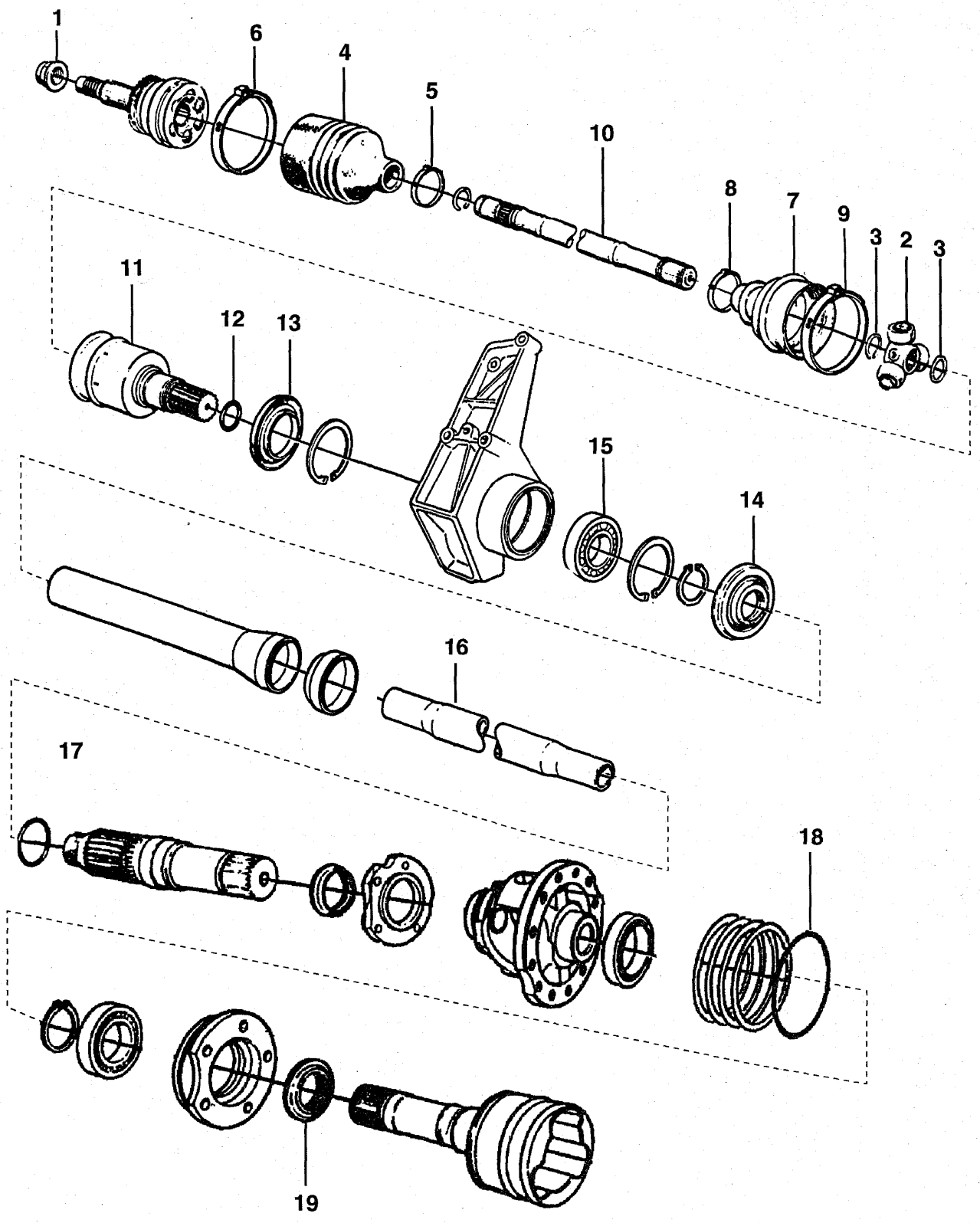
| KEY | DESCRIPTION | PART NUMBER | QTY. | NOTES |
|-----|---|-------------|------|----------------------------------|
| 1 | Gear Box Assembly, Automatic, Marked GA 64103 | 88 23 742 | 1 | B202 Fuel Injection |
| 1 | Gear Box Assembly, Automatic, Marked GA 74303 | 88 23 734 | 1 | B202 Turbo |
| 1 | Gear Box Assembly, Automatic Marked GA 64301 | 88 25 176 | 1 | B234 Fuel Injection 1990-91 1/2 |
| 1 | Gear Box Assembly, Automatic, Marked GA 64302 | 88 25 408 | 1 | B234 Fuel Injection 1991 1/2-93 |
| 1 | Gear Box Assembly, Automatic, Marked FA 43003 | 82 85 009 | 1 | B234 1994-95 Fuel Injection |
| 1 | Gear Box Assembly, automatic, Marked GA 74304 | 88 25 184 | 1 | B234 Turbo 1991-91 1/2 |
| 1 | Gear Box Assembly, Automatic, Marked GA 74306 | 88 25 382 | 1 | B234 Turbo 1991 1/2- Early 1992 |
| 1 | Gear Box Assembly, Automatic, Marked GA 74308 | 88 25 424 | 1 | B234 Turbo ASR Early 1992> |
| 1 | Gear Box Assembly, Automatic, Marked GA 74310 | 88 25 432 | 1 | 1992-93 B234 Turbo ASR |
| 1 | Gear Box Assembly, Automatic, Marked FA 43201 | 82 85 017 | 1 | 1994-95 B234L, B234R, B234E |
| 1 | Gear Box Assembly, Automatic, Marked FA 43205 | 46 13 014 | 1 | 1996> VIN >V1028701 B234L, B234E |
| 1 | Gear Box Assembly, Automatic, Marked FA43209 | 46 11 661 | 1 | VIN V1028702> B234L, B234E |
| 1 | Gear Box Assembly, Automatic, Marked FA 46302 | 46 10 002 | 1 | 1995 B308I |
| 1 | Gear Box Assembly, Automatic, Marked FA 43302 | 82 85 140 | 1 | 1996> B308I |
| 2 | Plug | 75 58 505 | 1 | Included With Gear Box |
| 3 | Seal Ring | 75 72 175 | 1 | Included With Gear Box |
| 4 | Gasket, Converter Housing | 44 77 394 | 1 | Included With Gear Box |
| 5 | Gasket, Cover | 44 77 378 | 1 | Included With Gear Box |
| 6 | Screw | 75 57 754 | 14 | >1993 Included With Gear Box |
| 6 | Screw | 44 77 311 | 14 | 1994> Included With Gear Box |
| 7 | Oil Pan | 47 75 086 | 1 | Included With Gear Box |
| 8 | Gasket | 75 92 330 | 1 | Included With Gear Box |
| 9 | Breather Assembly | 43 85 720 | 1 | Included With Gear Box |



| KEY | DESCRIPTION | PART NUMBER | QTY. | NOTES |
|-----|--------------------|-------------|------|------------------------|
| 10 | Dipstick Assembly | 40 26 449 | 1 | Included With Gear Box |
| 11 | O-Ring | 75 94 880 | 1 | Included With Dipstick |
| 12 | Repair Kit, Filter | 75 75 525 | 1 | Included With Gear Box |
| 13 | O-Ring | 75 94 187 | 1 | Included In Kit |
| 14 | O-Ring | 75 97 776 | 1 | Included In Kit |

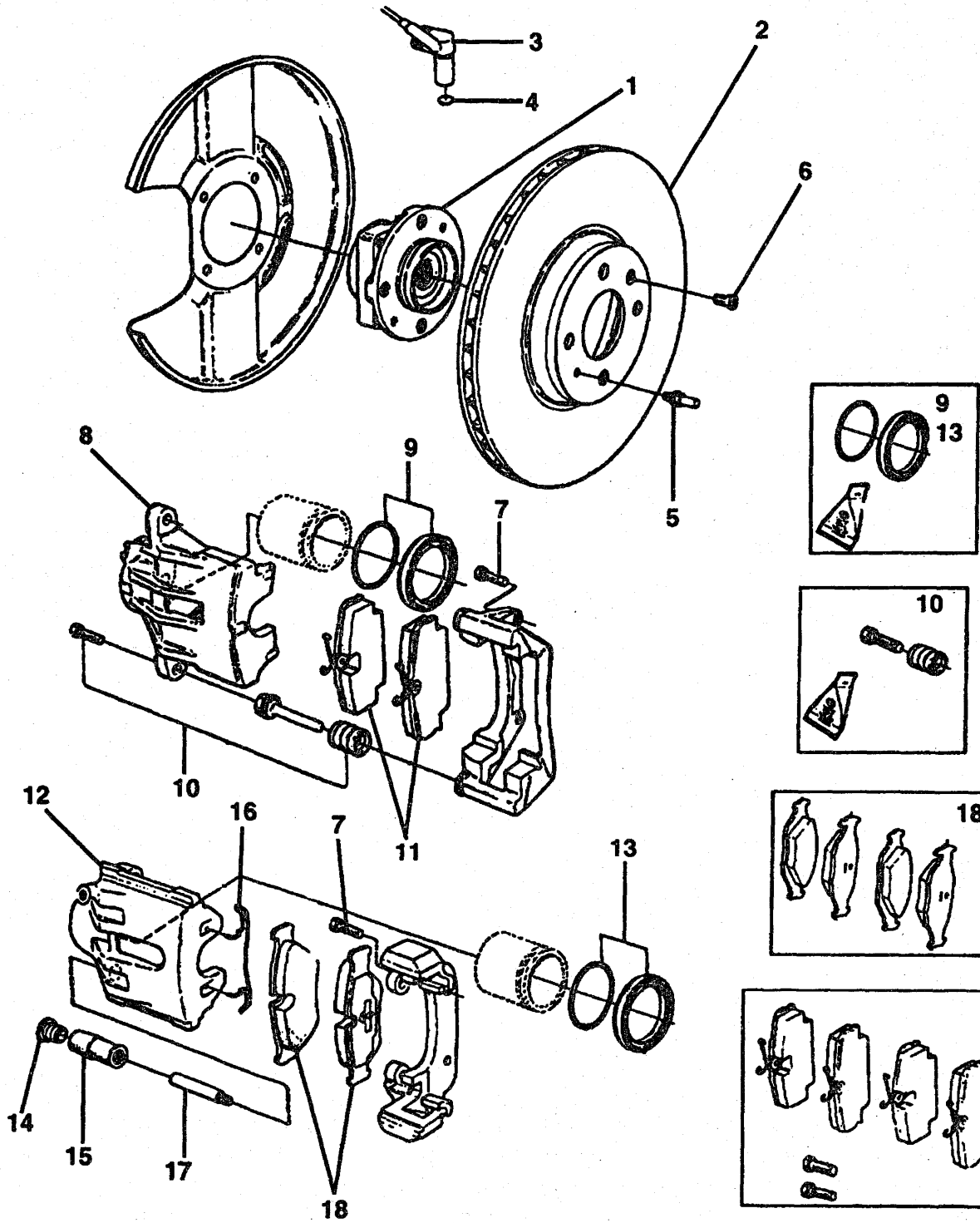


| KEY | DESCRIPTION | PART NUMBER | QTY. | NOTES |
|-----|-------------------------------------|-------------|------|----------------------------|
| 1 | Lock Nut | 89 65 360 | 2 | |
| 2 | Driver Tri-Pod | 89 50 628 | 2 | |
| 2 | Driver Tri-Pod | 41 03 313 | 2 | B234 Turbo |
| 3 | Kit, Rubber Bellows | 89 93 636 | 2 | |
| 3 | Kit, Rubber Bellows | 89 93 701 | 2 | B234 Turbo |
| 4 | Clamp | 44 25 534 | 1 | Included In Kit |
| 5 | Clamp | 89 72 986 | 1 | Included In Kit |
| 5 | Clamp | 41 03 214 | 1 | B234 Turbo Included In Kit |
| 6 | Kit, Rubber Bellows, Joint Assembly | 89 93 628 | 1 | |
| 6 | Kit, Rubber Bellows, Joint Assembly | 89 93 685 | 1 | B234 Turbo |
| 7 | Clamp | 44 25 534 | 1 | |
| 8 | Clamp | 40 00 667 | 1 | |
| 8 | Clamp | 41 07 108 | 1 | B234 Turbo |
| 9 | Sealing Ring | 87 20 997 | 1 | B202 >1989 |
| 9 | Seal Ring | 93 85 931 | 1 | 1990-93 B202 Manual Trans. |
| 9 | Seal Ring | 41 20 523 | 1 | B234 |
| 9 | Seal Ring | 75 79 964 | 1 | >1993 B202 Auto. Trans. |
| 10 | Seal Ring | 93 87 044 | 1 | |
| 11 | Seal Ring | 87 21 078 | 1 | >1986 |
| 11 | Seal Ring | 75 92 223 | 1 | 1987> Auto. Trans. |
| 11 | Seal Ring | 87 21 078 | 1 | Manual Trans. |
| 12 | Seal Ring | 87 31 804 | 1 | Manual Trans. |
| 12 | Seal Ring | 42 80 376 | 1 | Auto. Trans. |
| 13 | Lock Ring | 89 21 520 | 2 | |
| 14 | Lock Ring | 89 50 636 | 2 | |
| 15 | O-Ring | 79 70 361 | 1 | |
| 16 | Seal Ring | 87 20 997 | 1 | |
| 17 | O-Ring | 79 70 361 | 1 | Manual Trans. |
| 17 | O-Ring | 75 94 898 | 1 | Auto. Trans. |
| 18 | O-Ring | 87 16 656 | 1 | Manual Trans. |
| 18 | O-Ring | 75 94 120 | 1 | Auto. Trans. |

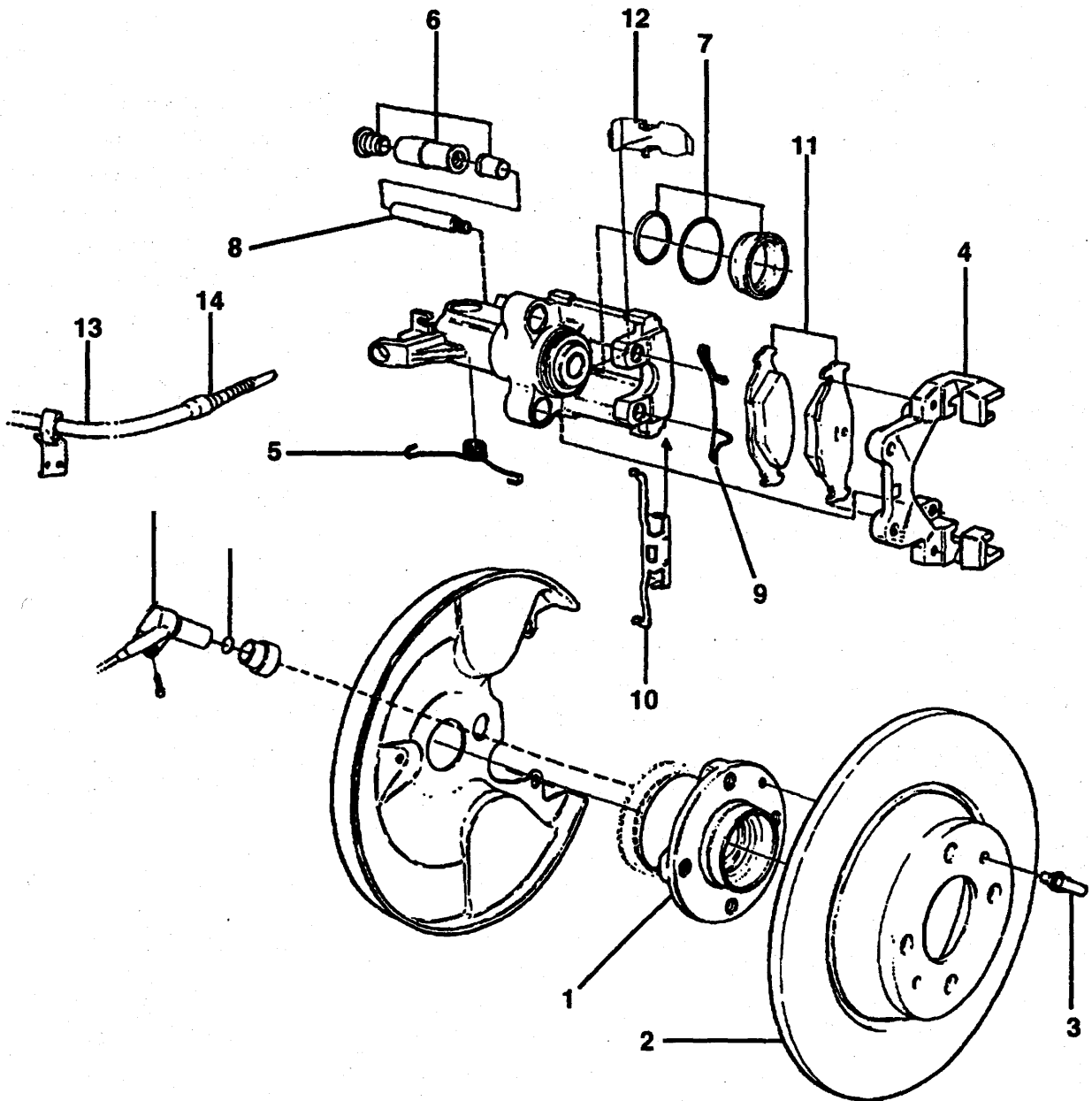
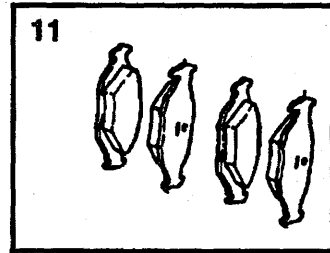
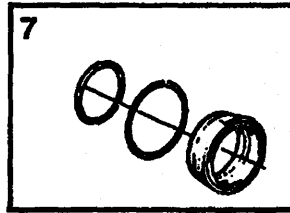
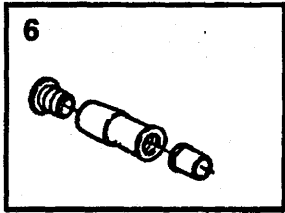


| KEY | DESCRIPTION | PART NUMBER | QTY. | NOTES |
|-----|----------------------|-------------|------|---|
| 1 | Lock Nut | 89 65 360 | 1 | |
| 2 | Companion Flange | 89 50 628 | 2 | B234 Fuel Injection, B308 Fuel Injection, B234E, Manual Trans. |
| 2 | Companion Flange | 41 03 313 | 2 | B234R & L, B234E, Auto. Trans. |
| 3 | Lock Ring | 89 50 636 | 2 | |
| 4 | Kit, Rubber Bellows | 89 93 628 | 2 | B234E Fuel Injection, B308 Fuel Injection, B234E, Manual Trans. |
| 4 | Kit, Rubber Bellows | 89 93 685 | 1 | B234R & L, B234E, Auto. Trans. |
| 5 | Clamp | 44 25 534 | 1 | |
| 6 | Clamp | 40 00 667 | 1 | B234E Fuel Injection, B308 Fuel Injection, B234E, Manual Trans. |
| 6 | Clamp | 41 07 108 | 1 | B234R & L, B234E, Auto. Trans. |
| 7 | Kit, Rubber Bellows | 89 93 636 | 1 | B234 Fuel Injection, B308 Fuel Injection, B234E, Manual Trans. |
| 7 | Kit, Rubber Bellows | 89 93 701 | 2 | B234R & L, B234E, Auto. Trans. |
| 8 | Clamp | 44 25 534 | 1 | |
| 9 | Clamp | 89 72 986 | 1 | B234 Fuel Injection, B308 Fuel Injection, B234E, Manual Trans. |
| 9 | Clamp | 41 03 214 | 1 | B234R & L, B234E, Auto. Trans. |
| 10 | Drive Shaft | 41 06 134 | 2 | B234 Fuel Injection, B308 Fuel Injection, B234E, Manual Trans. |
| 10 | Drive Shaft | 41 05 235 | 2 | B234R & L, B234E, Auto. Trans. |
| 11 | Companion Flange, RH | 87 23 108 | 1 | B234 Fuel Injection, B308 Fuel Injection, B234E, Manual Trans. |
| 11 | Companion Flange, RH | 41 03 230 | 1 | B234R & L, B234E, Auto. Trans. |
| 12 | O-Ring | 79 70 361 | 1 | |
| 13 | Seal Ring | 93 87 044 | 1 | |
| 14 | Seal Ring | 41 20 523 | 1 | 4 Cylinder |
| 14 | Seal Ring | 43 84 046 | 1 | 6 Cylinder Manual Trans. |
| 14 | Seal Ring | 45 79 371 | 1 | 6 Cylinder Auto. Trans. |
| 15 | Ball Bearing | 93 81 450 | 1 | |
| 16 | Intermediate Shaft | 87 27 000 | 1 | Manual Trans. |
| 16 | Intermediate Shaft | 87 27 968 | 1 | Auto. Trans. |
| 17 | O-Ring | 75 94 898 | 1 | Auto. Trans. |
| 17 | O-Ring | 79 70 361 | 1 | Manual Trans. |
| 18 | O-Ring | 80 47 144 | 1 | Manual Trans. |
| 18 | O-Ring | 75 94 120 | 1 | Auto. Trans. |
| 19 | Seal Collar | 87 31 804 | 1 | Manual Trans. |
| 19 | Seal Collar | 42 80 376 | 1 | Auto Trans. |

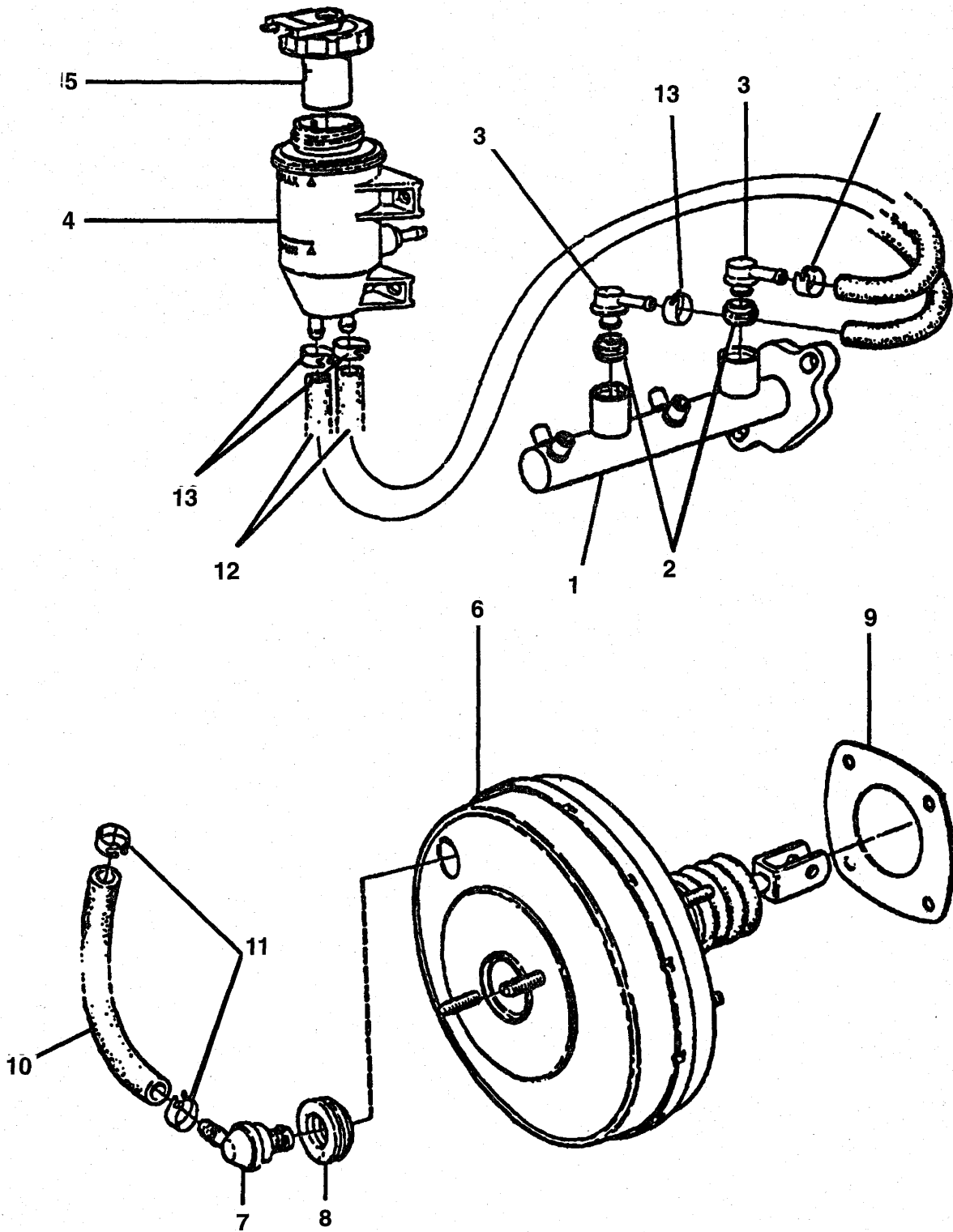
| | Page |
|-------------------------|-------------|
| Front Brakes | 05-3 |
| Rear Brakes | 05-5 |
| Hydraulics >1987 | 05-7 |
| ABS Mark II | 05-9 |
| ABS Mark IV 1993> | 05-11 |



| KEY | DESCRIPTION | PART NUMBER | QTY. | NOTES |
|-----|--------------------------------|-------------|------|---|
| 1 | Wheel Hub With Bearing | 89 52 996 | 2 | >1989 |
| 1 | Wheel Hub With Bearing | 41 07 462 | 2 | 1990> |
| 2 | Brake Disc | 89 65 550 | 2 | 1986 |
| 2 | Brake Disc | 40 02 150 | 2 | 1987 |
| 2 | Brake Disc | 40 02 150 | 2 | 1988-89 Fuel Injection |
| 2 | Brake Disc | 40 02 143 | 2 | 1988-89 Turbo |
| 2 | Brake Disc | 40 02 143 | 2 | 1990> |
| 3 | Sensor Assembly, LH | 89 63 092 | 1 | >1989 |
| 3 | Sensor Assembly, LH | 40 01 459 | 1 | 1990> |
| 3 | Sensor Assembly, RH | 89 63 613 | 1 | >1989 |
| 3 | Sensor Assembly, RH | 40 01 467 | 1 | 1990> |
| 4 | Spacer | 89 67 507 | 2 | >1989, Included With Sensor |
| 4 | Spacer | 89 65 634 | 2 | 1990> |
| 5 | Guide Pin | 89 53 176 | 2 | >1987 |
| 5 | Guide Pin | 89 68 588 | 2 | 1988> |
| 6 | Screw | 80 56 160 | 2 | |
| 7 | Screw | 89 53 283 | 4 | |
| 8 | Brake Housing Without Pads, LH | 78 95 287 | 1 | >1987 |
| 8 | Brake Housing Without Pads, RH | 89 67 788 | 1 | >1987 |
| 8 | Brake Housing Without Pads, LH | 78 95 287 | 1 | 1988-89 Fuel Injection |
| 8 | Brake Housing Without Pads, RH | 78 95 295 | 1 | 1988-89 Fuel Injection |
| 9 | Kit, Bellows | 89 61 799 | 2 | Included With Housing |
| 10 | Kit, Bellows | 89 61 807 | 2 | >1989 |
| 11 | Brake Pad Set | 89 93 974 | 1 | >1989 |
| 12 | Brake Housing Without Pads, LH | 45 43 765 | 1 | 1988-89 Turbo, 1990> All |
| 12 | Brake Housing Without Pads, RH | 45 43 773 | 1 | 1988-89 Turbo, 1990> All |
| 13 | Kit, Bellows | 89 68 968 | 2 | 1988-89 Turbo, 1990> All Included With Housing |
| 14 | Cap | 89 55 478 | 2 | 1988-89 Turbo, 1990> All Included With Housing |
| 15 | Sleeve | 89 69 107 | 2 | 1988-89 Turbo, 1990> Included With Housing |
| 16 | Spring | 89 69 123 | 1 | 1988-89 Turbo, 1990> ALL Included With Housing |
| 17 | Slide Pin | 89 69 651 | 4 | 1988-89 Turbo, 1990> ALL Included With Housing |
| 18 | Brake Pad Set | 89 93 974 | 1 | N/A >1989, Turbo >1987 |
| 18 | Brake Pad Set | 89 93 768 | 1 | N/A 1990>, Turbo 1988> |



| KEY | DESCRIPTION | PART NUMBER | QTY. | NOTES |
|-----|-----------------------------------|-------------|------|----------------------------|
| 1 | Wheel Hub With Bearing | 89 71 095 | 2 | >1987 |
| 1 | Wheel Hub With Bearing | 89 71 111 | 2 | 1988-89 Cars With ABS |
| 1 | Wheel Hub With Bearing | 89 73 406 | 2 | 1990> |
| 2 | Brake Disc | 89 70 717 | 2 | >1987 Requires 89 68 588 |
| 2 | Brake Disc | 89 70 717 | 2 | 1988> |
| 3 | Guide Pin | 89 53 176 | 2 | >1987 |
| 3 | Guide Pin | 89 68 588 | 2 | 1988> |
| 4 | Brake Housing Without Pads, LH | 78 95 329 | 1 | |
| 4 | Brake Housing Without Pads, RH | 89 55 403 | 1 | |
| 5 | Spring, LH | 89 55 395 | 1 | Included With Housing |
| 5 | Spring, RH | 89 55 403 | 1 | Included With Housing |
| 6 | Kit, Guide | 44 67 064 | 1 | Included With Housing |
| 7 | Kit, Seal | 89 61 849 | 2 | Included With Housing |
| 8 | Slide Pin | 89 69 651 | 4 | Included With Housing |
| 9 | Wire Spring | 89 70 816 | 2 | Included With Housing |
| 10 | Spring | 89 55 528 | 2 | Included With Housing |
| 11 | Brake Pad Set | 89 68 026 | 1 | >1989 |
| 11 | Brake Pad Set | 41 96 317 | 1 | 1990> See SI 500-1034 |
| 12 | Protective Plate | 89 63 662 | 2 | >1989 |
| 13 | Cable, Parking Brake Assembly, LH | 89 64 348 | 1 | >1986 |
| 13 | Cable, Parking Brake Assembly, RH | 89 64 363 | 1 | >1986 |
| 13 | Cable, Parking Brake Assembly, LH | 89 67 481 | 1 | 1987> |
| 13 | Cable, Parking Brake Assembly, RH | 89 70 733 | 1 | 1987> |
| 14 | Bellows | 89 54 455 | 1 | Included With Cable |
| 15 | Sensor Assembly, LH | 89 65 857 | 1 | >1989 |
| 15 | Sensor Assembly, RH | 89 65 840 | 1 | >1989 |
| 15 | Sensor Assembly, LH | 40 01 475 | 1 | 1990 |
| 15 | Sensor Assembly, RH | 40 01 483 | 1 | 1990> |
| 16 | Spacer | 89 67 507 | 1 | Included With Sensor >1989 |

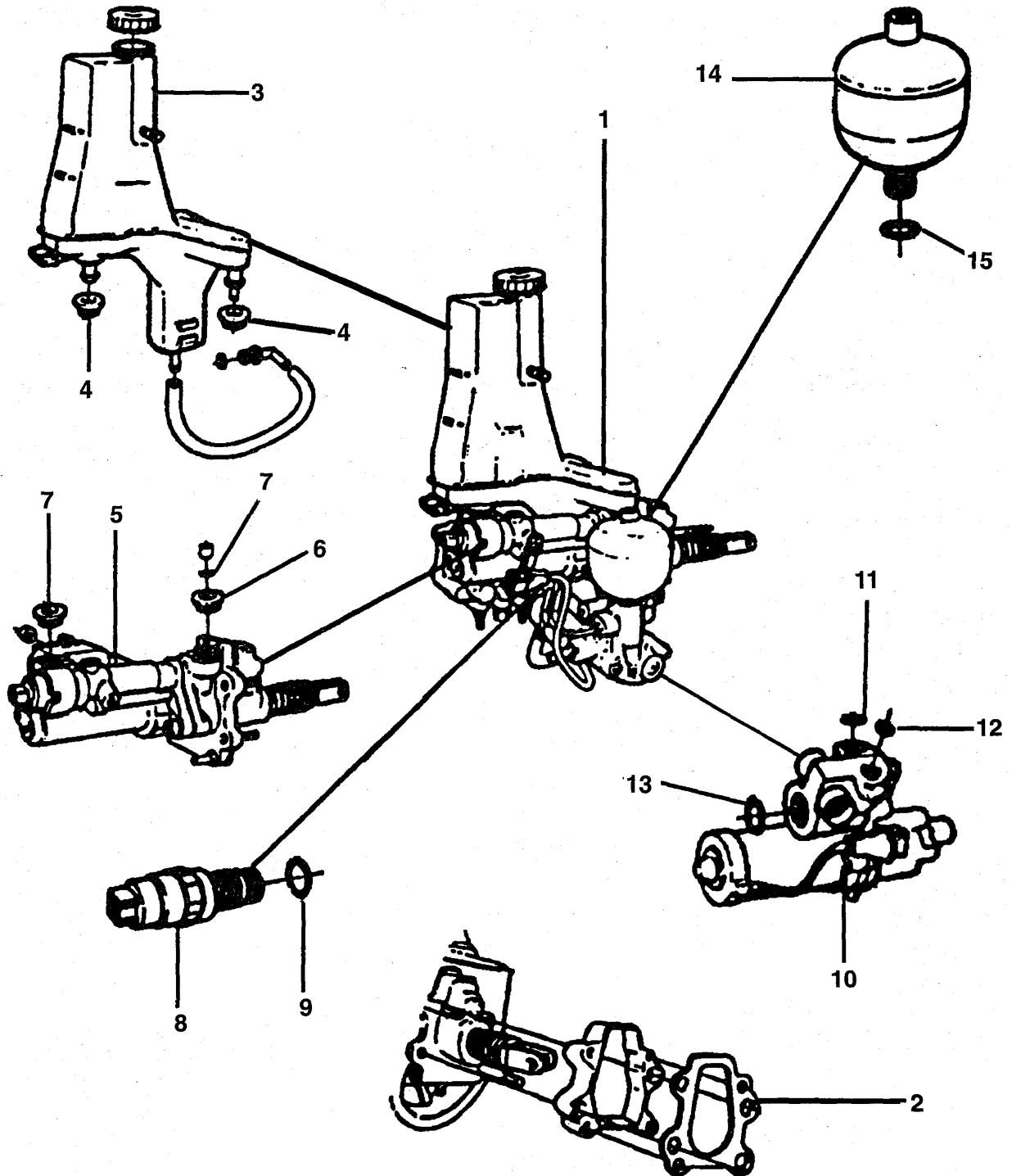


05-6

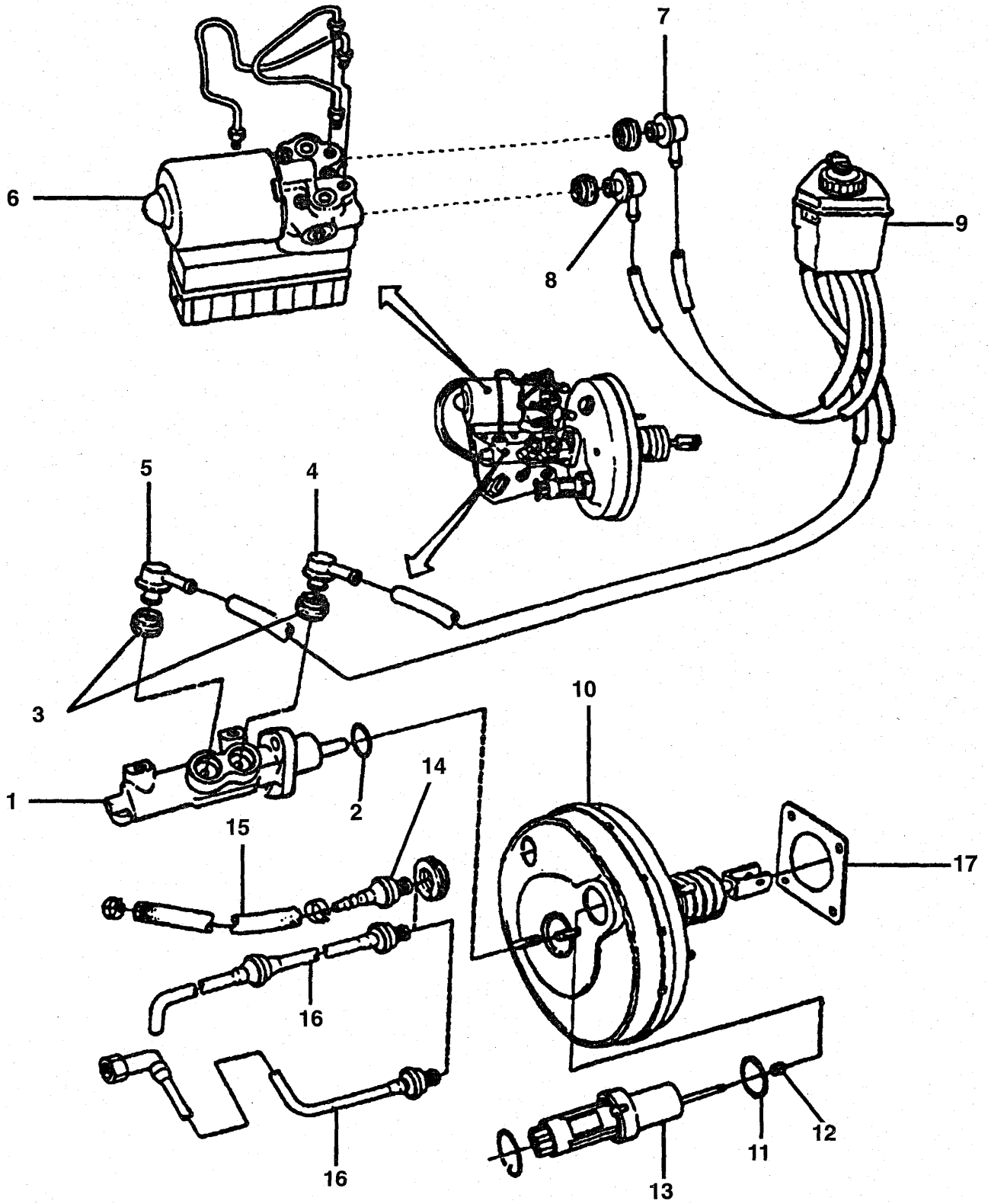
9000

SAAB genuine parts

| KEY | DESCRIPTION | PART NUMBER | QTY. | NOTES |
|-----|-----------------|-------------|------|-------------------------|
| 1 | Master Cylinder | 89 64 892 | 1 | |
| 2 | Gasket | 44 25 229 | 2 | Included With Cylinder |
| 3 | Nipple | 89 58 175 | 2 | Included With Cylinder |
| 4 | Reservoir | 89 59 132 | 1 | |
| 5 | Level Sensor | 89 59 157 | 1 | Included With Reservoir |
| 6 | Vacuum Servo | 89 58 423 | 1 | |
| 7 | Check Valve | 89 86 705 | 1 | Included With Servo |
| 8 | Seal | 89 86 713 | 1 | Included With Servo |
| 9 | Seal | 89 58 357 | 1 | |
| 10 | Vacuum Hose | 44 25 468 | 1 | |
| 11 | Hose Clamp | 89 43 177 | 2 | |
| 12 | Hose | 44 25 211 | 2 | |
| 13 | Hose Clamp | 79 73 522 | 4 | |

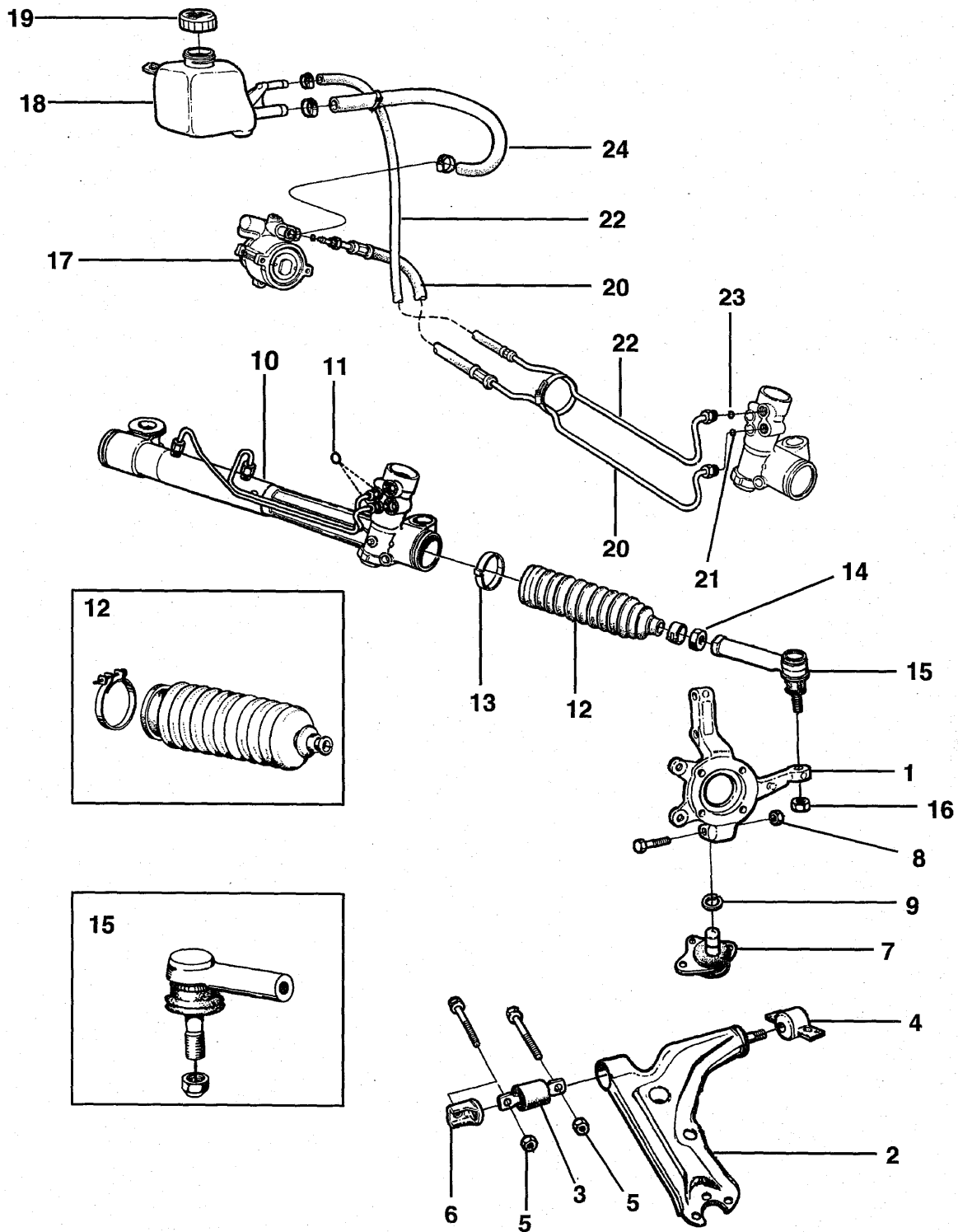


| KEY | DESCRIPTION | PART NUMBER | QTY. | NOTES |
|-----|---------------------|-------------|------|--|
| 1 | ABS Hydraulic Unit | 89 64 900 | 1 | VIN >K1009731, >K2004996, >K8000276 |
| 1 | ABS Hydraulic Unit | 40 00 113 | 1 | VIN K1009732>, K2004997>, K8000277> >1991 |
| 1 | ABS Hydraulic Unit | 41 04 261 | 1 | 1992 |
| 1 | ABS Hydraulic Unit | 44 25 732 | 1 | 1992-95, TCS Manual Trans. |
| 1 | ABS Hydraulic Unit | 41 04 261 | 1 | 1992, ASR, Auto. Trans. |
| 2 | Seal | 91 04 456 | 2 | |
| 3 | Reservoir | 89 67 333 | 1 | VIN >K1009731, >K2004996, >K8000276 |
| 3 | Reservoir | 41 90 617 | 1 | VIN K1009732>, K2004997>, K8000277> |
| 4 | Rubber Busing | 89 66 335 | 2 | Included With Reservoir |
| 5 | Master Cylinder Kit | 89 67 457 | 1 | VIN >K1009731, >K2004996, >K8000276 |
| 5 | Master Cylinder Kit | 40 03 182 | 1 | VIN K1009732>, K2004997>, K8000277> >1991 |
| 5 | Master Cylinder Kit | 41 95 889 | 1 | 1994-95 |
| 6 | O-Ring | 89 67 408 | 1 | Included With Cylinder |
| 7 | Rubber Bushing | 89 66 335 | 2 | Included With Cylinder |
| 8 | Pressure Monitor | 89 94 071 | 1 | |
| 9 | O-Ring | 89 67 325 | 1 | Included With Monitor |
| 10 | Pump Kit | 89 67 424 | 1 | VIN >K1009731, >K2004996, >K8000276 |
| 10 | Pump Kit | 40 03 158 | 1 | VIN K1009732>, K2004997>, K8000277> |
| 11 | O-Ring | 89 67 234 | 1 | Included With Pump |
| 12 | O-Ring | 89 67 408 | 1 | Included With Pump |
| 13 | O-Ring | 89 67 325 | 1 | Included With Pump |
| 14 | Accumulator | 89 67 218 | 1 | VIN >K1009731, >K2004996, >K8000276 |
| 14 | Accumulator | 40 02 267 | 1 | VIN K1009732>, K2004997>, K8000277> |
| 15 | O-Ring | 89 67 234 | 1 | Included With Accumulator |



| KEY | DESCRIPTION | PART NUMBER | QTY. | NOTES |
|-----|----------------------|-------------|------|---------------------------------|
| 1 | Master Cylinder | 41 98 438 | 1 | |
| 2 | Seal Ring | 41 98 503 | 1 | Included With Cylinder |
| 3 | Pipe End | 41 98 297 | | |
| 4 | Nipple | 41 98 305 | 1 | |
| 5 | Nipple | 41 98 313 | 1 | |
| 6 | Hydraulic Unit | 41 98 446 | 1 | |
| 7 | Nipple | 41 98 222 | 1 | Included With Unit |
| 8 | Nipple | 41 98 230 | 1 | Included With Unit |
| 9 | Reservoir | 44 25 724 | 1 | |
| 10 | Brake Servo | 46 45 487 | 1 | |
| 11 | O-Ring | 41 98 339 | 1 | Included With Servo & Sensor |
| 12 | Spacer, White, 1.2mm | 41 98 354 | 1 | Included With Servo & Sensor |
| 12 | Spacer, Green, 2.4mm | 41 98 362 | 1 | Included With Servo & Sensor |
| 12 | Spacer, Blue, 3.6mm | 41 98 370 | 1 | Included With Servo & Sensor |
| 12 | Spacer, Red, 4.8mm | 41 98 388 | 1 | Included With Servo & Sensor |
| 13 | Pedal Sensor | 41 98 420 | 1 | |
| 14 | Check Valve | 89 86 705 | 1 | >1993 |
| 15 | Vacuum Hose | 44 25 468 | 1 | >1993, B234 Fuel Injection |
| 16 | Vacuum Hose | 44 25 773 | 1 | 1994> 4 Cylinder Fuel Injection |
| 16 | Vacuum Hose | 44 25 468 | 1 | B234 Turbo >1994 |
| 16 | Vacuum Hose | 44 26 375 | 1 | 1995> Turbo |
| 16 | Vacuum Hose | 46 45 461 | 1 | 1995> 6 Cylinder Fuel Injection |
| 17 | Seal | 89 58 357 | 1 | |
| | Hose Kit | 41 98 479 | 1 | See Microfiche |

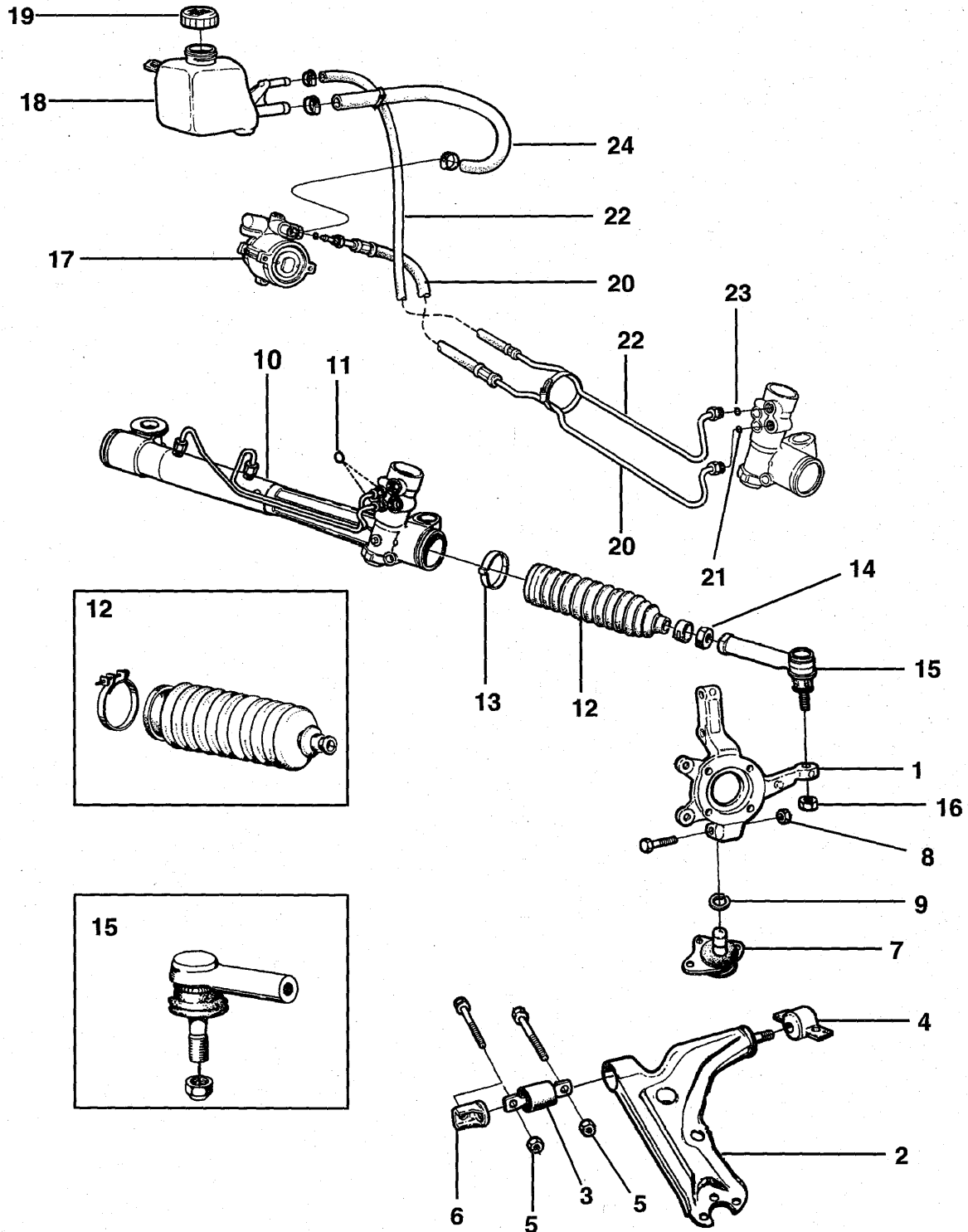
| | |
|-----------------------|--------------|
| Steering System | Page 06-3 |
|-----------------------|--------------|



Steering System

Steering System

| KEY | DESCRIPTION | PART NUMBER | QTY. | NOTES |
|-----|---------------------------|-------------|------|---------------------------------|
| 1 | Steering Knuckle, LH | 89 65 279 | 1 | >1987 |
| 1 | Steering Knuckle, RH | 89 65 287 | 1 | >1987 |
| 1 | Steering Knuckle, LH | 89 63 209 | 1 | 1988-89 |
| 1 | Steering Knuckle, RH | 89 63 217 | 1 | 1988-89 |
| 1 | Steering Knuckle, LH | 89 73 216 | 1 | 1990> |
| 1 | Steering Knuckle, RH | 89 73 224 | 1 | 1990> |
| 2 | Control Arm, LH | 89 58 365 | 1 | |
| 2 | Control Arm, RH | 89 58 373 | 1 | |
| 3 | Bushing | 89 61 476 | 2 | |
| 4 | Bearing, Rear | 89 65 253 | 2 | |
| 5 | Lock Nut | 79 71 765 | 2 | >1989 |
| 6 | Bearing Support | 44 26 003 | 2 | |
| 7 | Ball Joint | 89 94 212 | 2 | |
| 8 | Lock Nut | 79 77 309 | 2 | |
| 9 | Lock Ring | 79 63 168 | 2 | |
| 10 | Power Steering Rack | 89 93 669 | 1 | |
| 11 | O-Ring | 41 04 014 | X | |
| 12 | Bellows Assembly, LH | 89 62 243 | 1 | |
| 12 | Bellows Assembly, RH | 89 62 516 | 1 | |
| 13 | Clamp | 89 61 310 | 1 | Included With Bellows |
| 14 | Nut | 89 59 587 | 2 | >1989 |
| 14 | Nut | 89 72 309 | 2 | 1990> |
| 15 | Kit, Tie Rod End Assembly | 89 93 453 | X | |
| 16 | Nut | 81 51 482 | 2 | |
| 17 | Hydraulic Pump | 41 05 045 | 1 | B202 |
| 17 | Hydraulic Pump | 46 47 426 | 1 | B234 & 4 Cylinder 1994> |
| 17 | Hydraulic Pump | 41 96 226 | 1 | 6 Cylinder VIN >T1006582 |
| 17 | Hydraulic Pump | 46 47 418 | 1 | 6 Cylinder VIN T1006583> |
| 18 | Reservoir | 41 97 406 | 1 | 1989-91 |
| 18 | Reservoir | 41 92 993 | 1 | 1992> 4 Cylinder |
| 18 | Reservoir | 44 24 800 | 1 | 6 Cylinder |
| 19 | Cap | 41 97 380 | 1 | 1989-91 Included With Reservoir |
| 19 | Cap | 41 93 900 | 1 | 1992> Included With Reservoir |

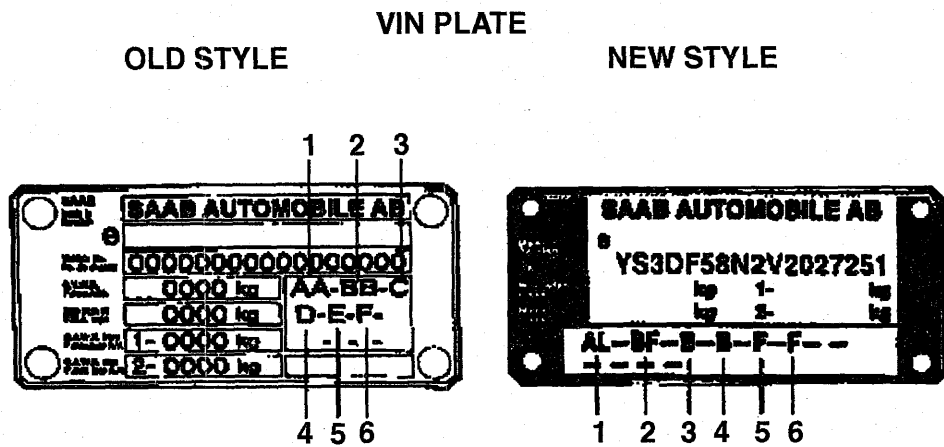


| KEY | DESCRIPTION | PART NUMBER | QTY. | NOTES |
|-----|------------------------|-------------|------|-------------------------------|
| 20 | Pressure Hose Assembly | 89 72 416 | 1 | B202 |
| 20 | Pressure Hose Assembly | 89 71 426 | 1 | B234 & 4 Cylinder 1994> |
| 20 | Pressure Hose Assembly | 41 96 242 | 1 | 6 Cylinder |
| 21 | O-Ring | 41 04 048 | 2 | 4 Cylinder Included With Hose |
| 21 | O-Ring | 79 77 580 | 2 | 6 Cylinder |
| 22 | Return Hose Assembly | 89 59 090 | 1 | B202 |
| 22 | Return Hose Assembly | 89 71 434 | 1 | >1991 |
| 22 | Return Hose Assembly | 41 90 179 | 1 | 1992> 4 Cylinder |
| 22 | Return Hose Assembly | 41 96 036 | 1 | 6 Cylinder |
| 23 | O-Ring | 41 04 048 | 1 | >1993 Included With Hose |
| 23 | O-Ring | 79 77 580 | 1 | 1994> |
| 24 | Suction Hose | 89 59 116 | 1 | B202 |
| 24 | Suction Hose | 40 01 673 | 1 | B234 >1991 |
| 24 | Suction Hose | 41 90 120 | 1 | 4 Cylinder 1992> |
| 24 | Suction Hose | 44 25 120 | 1 | 6 Cylinder |

| | Page |
|--|-------|
| Front Suspension >1991 | 07-3 |
| Front Suspension 1992-1996 | 07-5 |
| Front Suspension 1997-1998 | 07-7 |
| Rear Axle & Suspension >1991 | 07-9 |
| Rear Axle & Suspension 1992-1996 | 07-11 |
| Rear Axle & Suspension 1997-1998 | 07-13 |
| Wheels >1989 | 07-15 |
| Wheels 1990> | 07-17 |

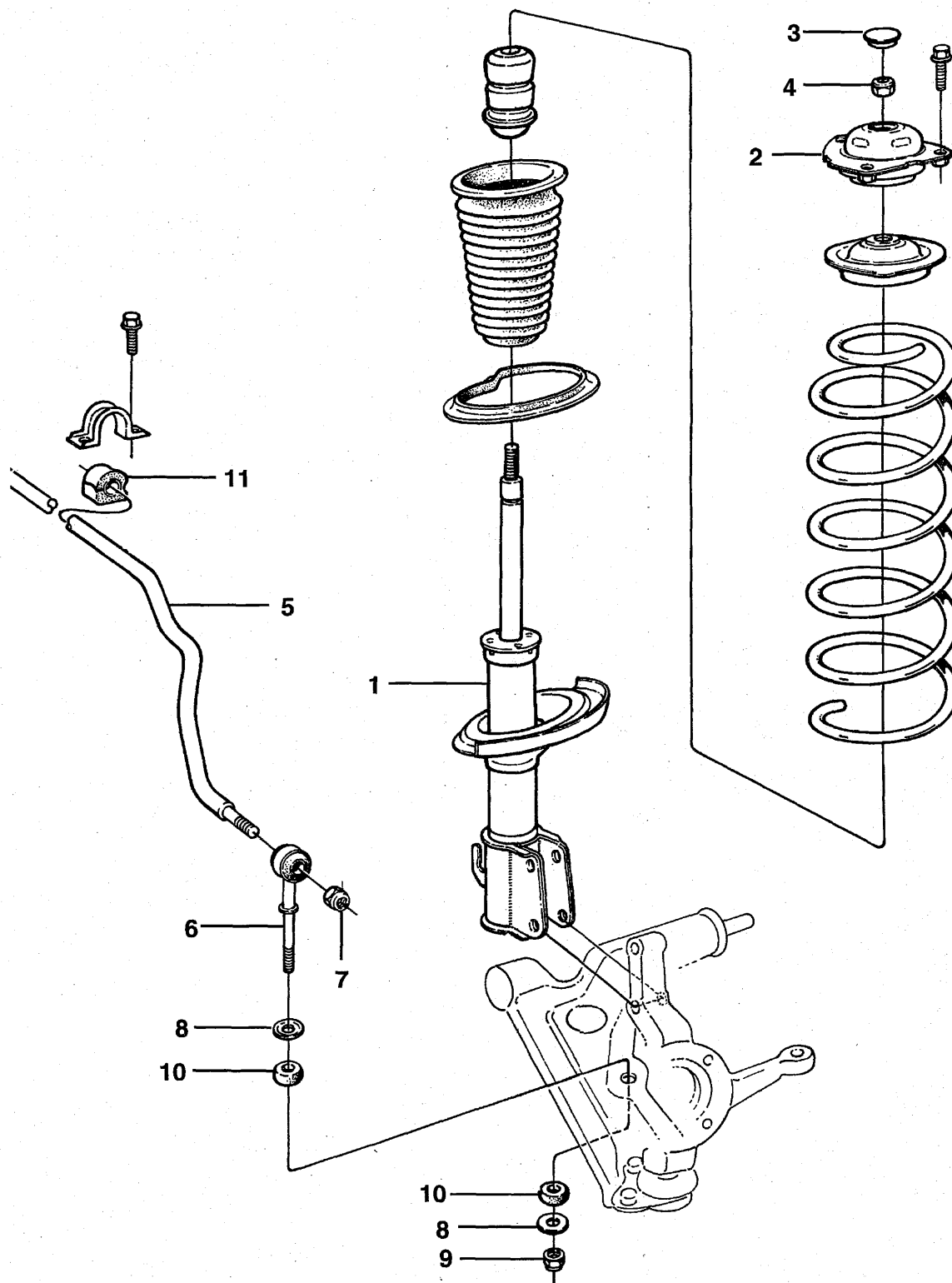
NOTE

Beginning with Model Year 1997, some suspension parts are identified with a code on the VIN plate as shown below.

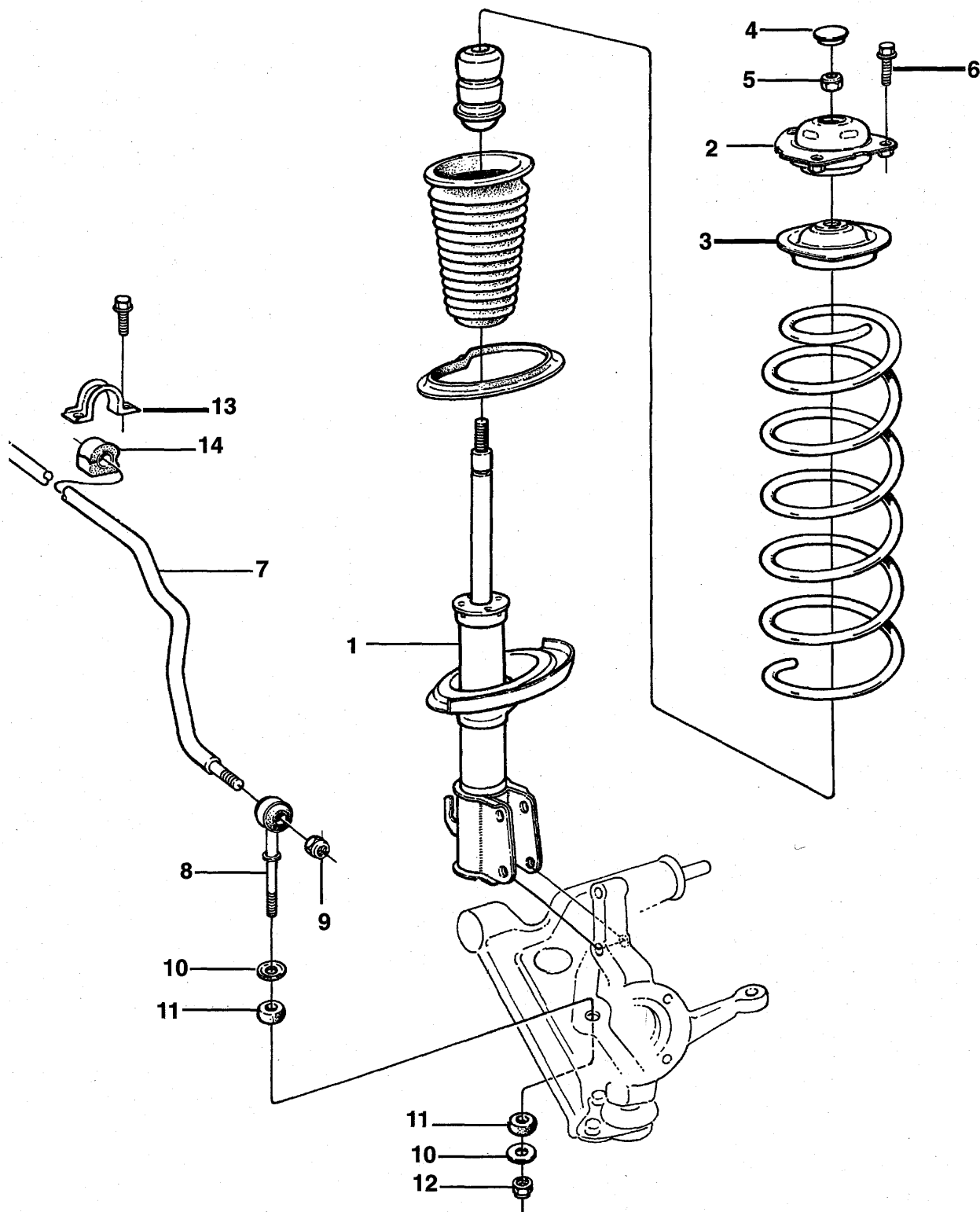


- 1 = FRONTS SPRING
- 2 = REAR SPRING
- 3 = FRONT STABILIZER BAR

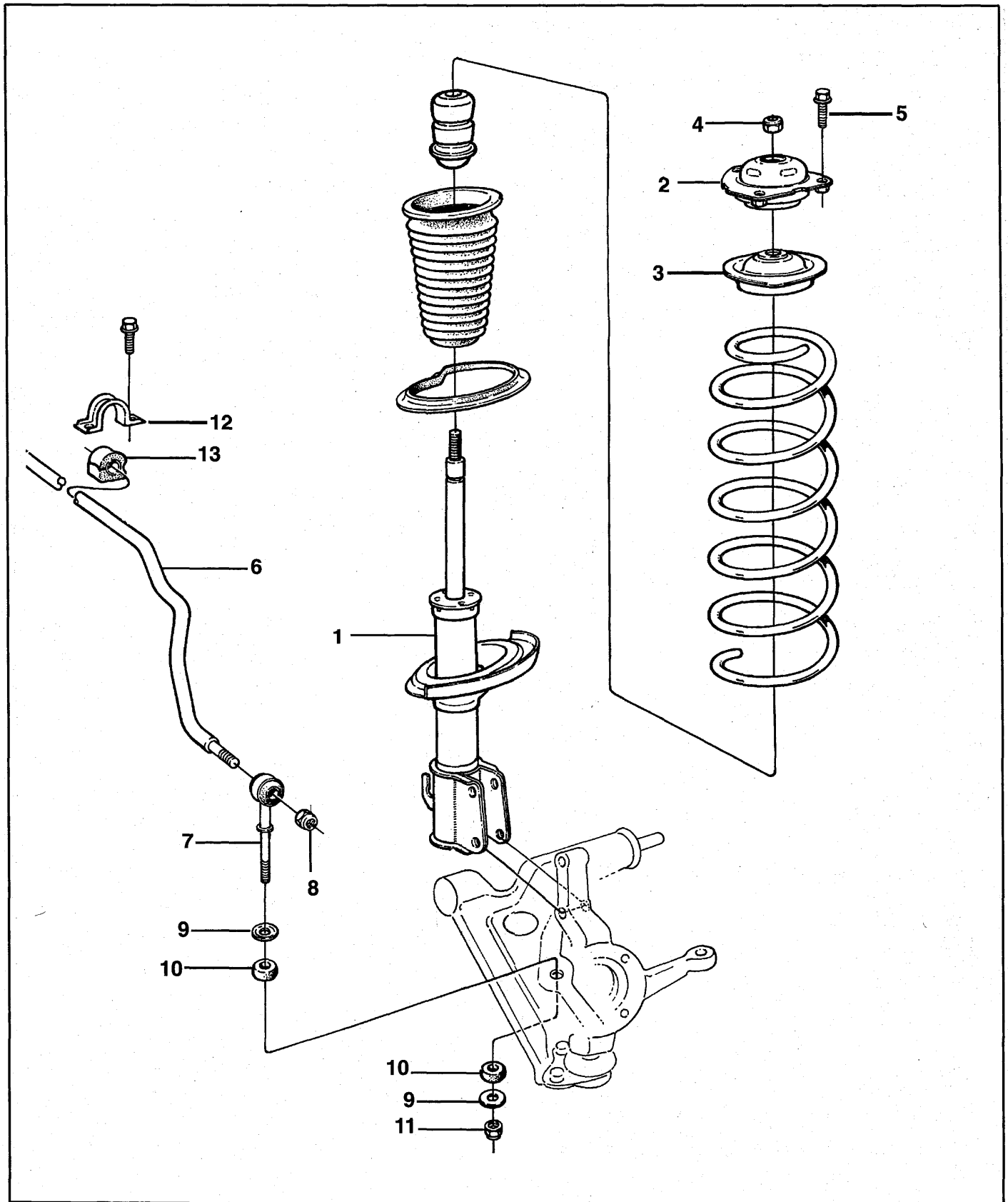
- 4 = REAR STABILIZER BAR
- 5 = FRONT SPRING STRUT / INSERT
- 6 = REAR SHOCK ABSORBER



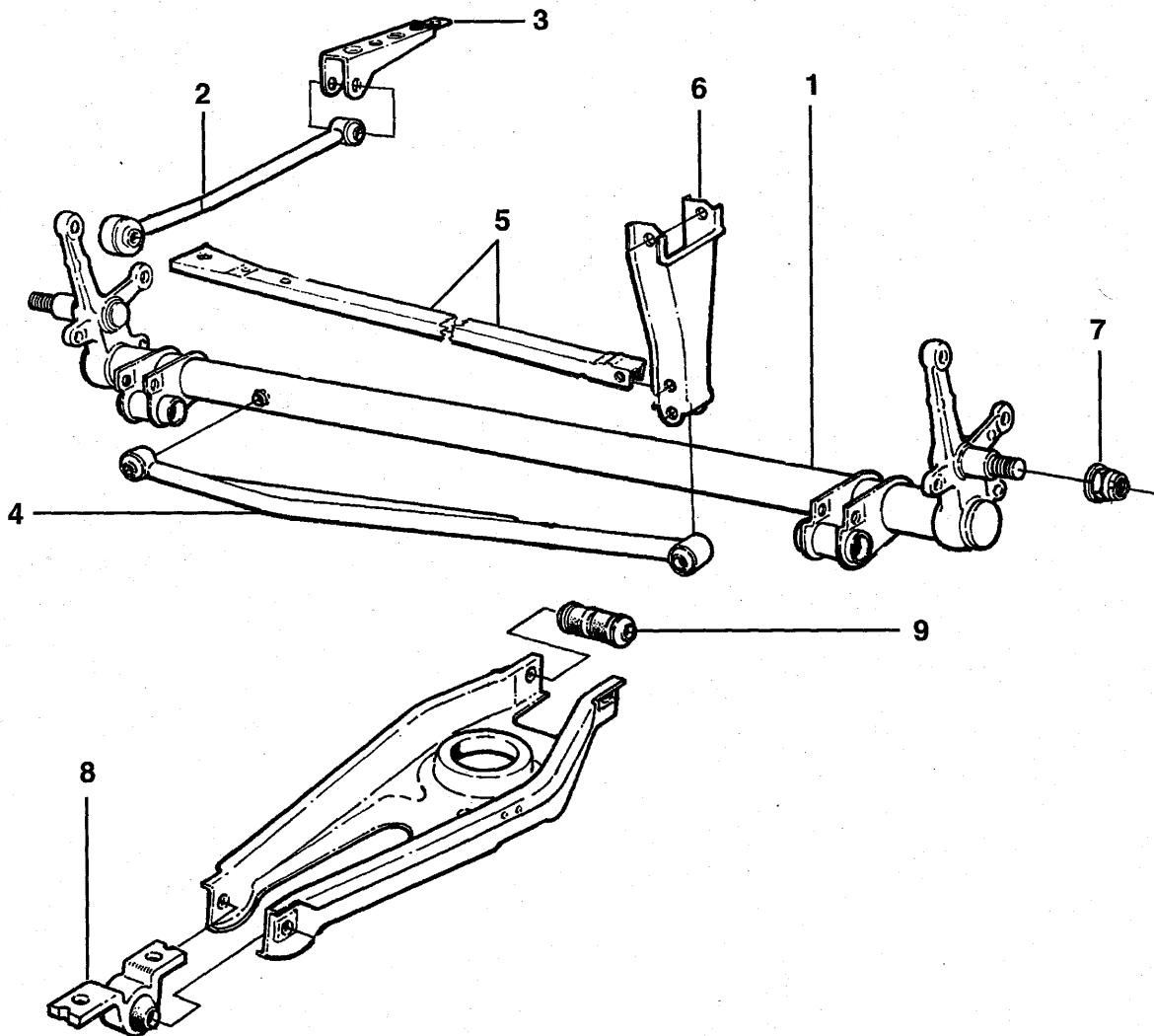
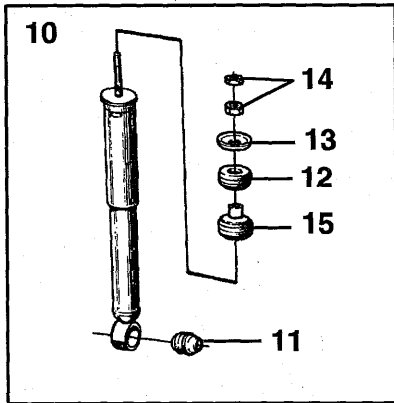
| KEY | DESCRIPTION | PART NUMBER | QTY. | NOTES |
|-----|-----------------|-------------|------|---------------|
| 1 | Strut | 89 54 026 | 2 | VIN >H1015469 |
| 1 | Strut | 41 99 899 | 2 | VIN H1015470> |
| 2 | Support Bearing | 41 06 969 | 2 | |
| 3 | Cap | 89 64 207 | 2 | |
| 4 | Nut | 79 79 537 | 2 | |
| 5 | Stabilizer | 89 62 144 | 1 | |
| 5 | Stabilizer | 89 68 984 | 1 | 5D Turbo 1991 |
| 6 | Link | 89 58 944 | 2 | |
| 7 | Nut | 79 79 578 | 2 | |
| 8 | Washer | 89 60 171 | 4 | |
| 9 | Nut | 79 77 812 | 2 | |
| 10 | Rubber Block | 89 53 986 | 4 | |
| 11 | Rubber Bushing | 89 65 378 | 2 | |
| 11 | Rubber Bushing | 89 68 992 | 2 | 5D Turbo 1991 |



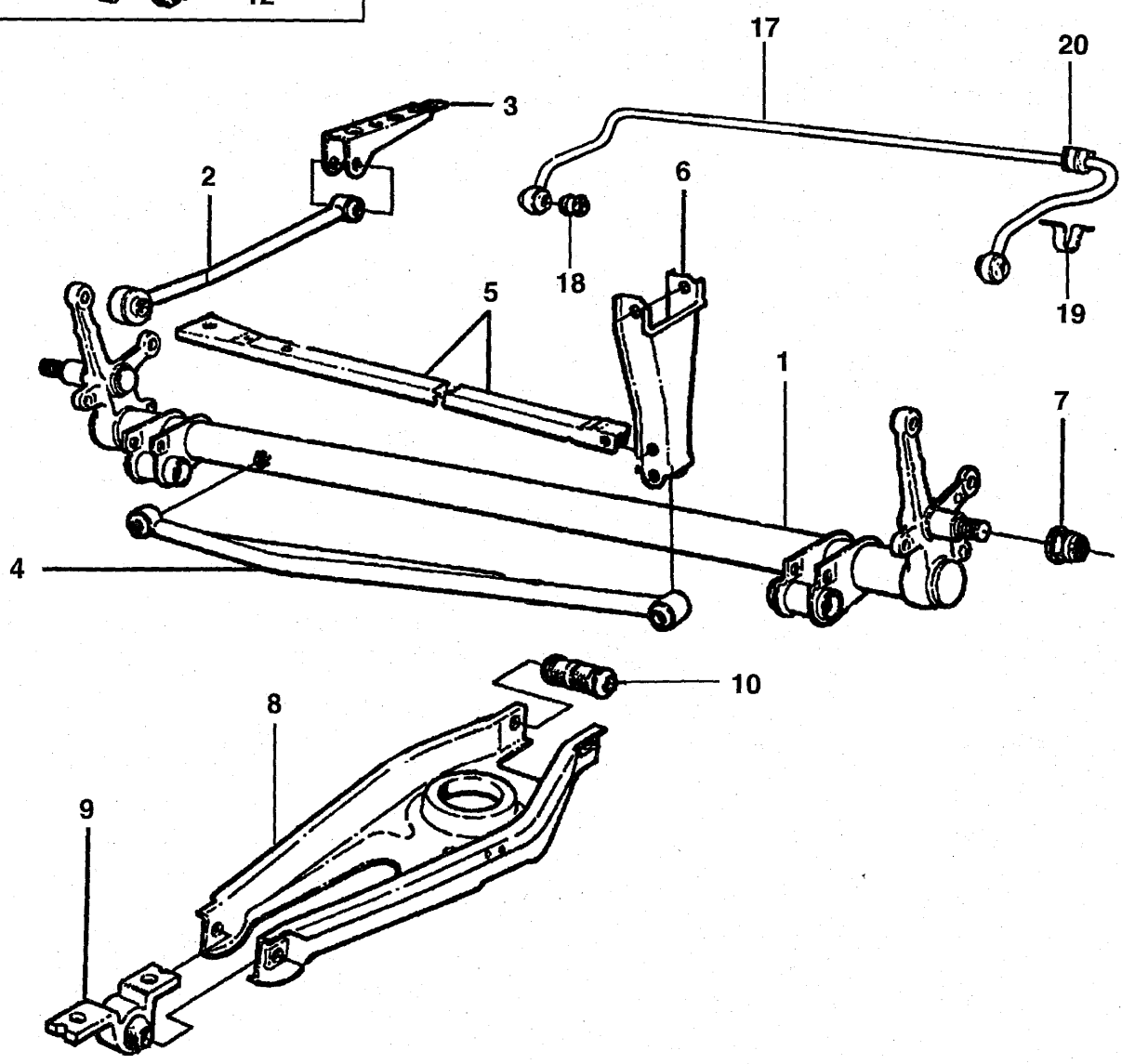
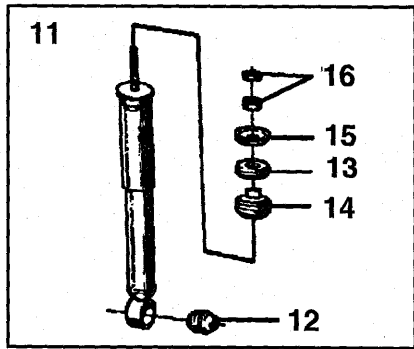
| KEY | DESCRIPTION | PART NUMBER | QTY. | NOTES |
|------|-----------------|-------------|------|--|
| 1 | Strut, Orange | 41 99 899 | 2 | >1994 |
| 1 | Strut, Red | 45 43 781 | 2 | 1995>1996 |
| 1 | Strut, Purple | 41 99 899 | 2 | VIN >N1014420, 5D Turbo |
| 1 | Strut, Grey | 41 99 402 | 2 | VIN N1014421>, 5D Turbo |
| 1 | Strut, Brown | 46 46 758 | 2 | 1993>, Turbo Aero VIN >S1027961 |
| 1 | Strut, Brown | 46 46 758 | 2 | VIN S1027962> Turbo Aero >1996 |
| 1 | Strut, Purple | 41 99 899 | 2 | Turbo +SR, EAS >1994 |
| 1 | Strut, Tan | 45 43 799 | 2 | 1995>1996, 5CS, AS, EAS2, SR, Spoiler >1996 |
| RWW, | | | | |
| 2 | Support Bearing | 41 06 969 | 2 | |
| 3 | Spring Seat | 89 68 067 | 2 | |
| 4 | Cap | 89 64 207 | 2 | VIN >P1032956 |
| 5 | Nut | 79 79 537 | 2 | |
| 6 | Bolt | 79 78 711 | 6 | 1990 |
| 6 | Bolt | 79 84 511 | 6 | 1991> |
| 7 | Stabilizer Bar | 89 68 984 | 1 | |
| 8 | Link | 89 58 944 | 2 | |
| 9 | Nut | 79 79 578 | 2 | |
| 10 | Washer | 89 60 171 | 4 | |
| 11 | Rubber Block | 89 53 986 | 4 | |
| 12 | Nut | 79 77 812 | 2 | |
| 13 | Cap | 89 54 000 | 2 | |
| 14 | Rubber Bushing | 89 68 992 | 2 | |



| KEY | DESCRIPTION | PART NUMBER | QTY. | NOTES |
|-----|-----------------|-------------|------|--------|
| 1 | Strut, Red | 45 43 781 | 2 | Code A |
| 1 | Strut, Yellow | 45 43 799 | 2 | Code B |
| 1 | Strut, Brown | 46 46 758 | 2 | Code C |
| 2 | Support Bearing | 41 06 969 | 2 | |
| 3 | Spring Seat | 89 68 067 | 2 | |
| 4 | Nut | 79 79 537 | 2 | |
| 5 | Bolt | 79 84 511 | 6 | |
| 6 | Stabilizer Bar | 89 68 984 | 1 | Code C |
| 7 | Link | 89 58 944 | 2 | |
| 8 | Nut | 79 79 578 | 2 | |
| 9 | Washer | 89 60 171 | 4 | |
| 10 | Rubber Block | 89 53 986 | 4 | |
| 11 | Nut | 79 77 812 | 2 | |
| 12 | Cap | 89 54 000 | 2 | |
| 13 | Rubber Bushing | 89 68 992 | 2 | |



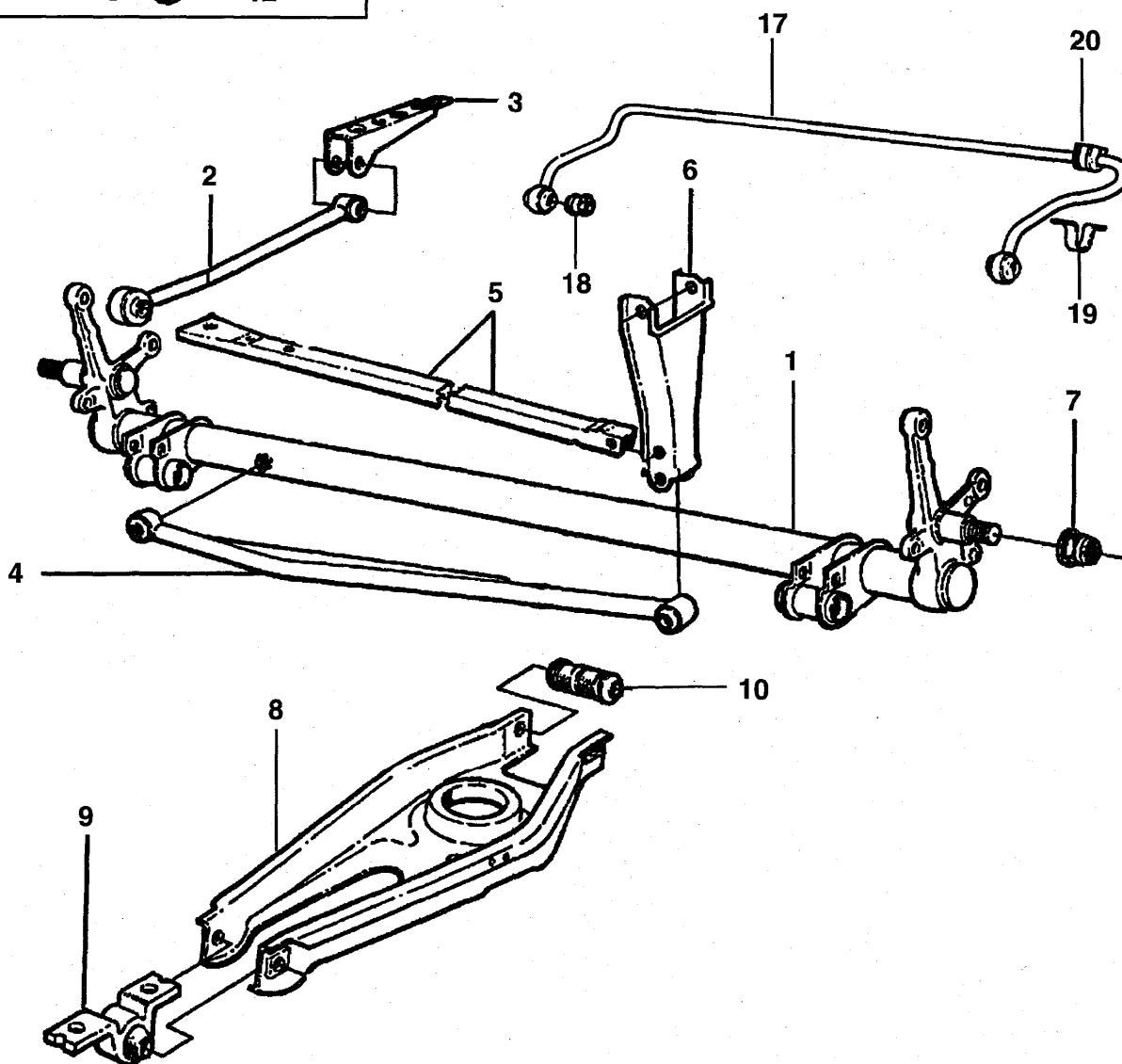
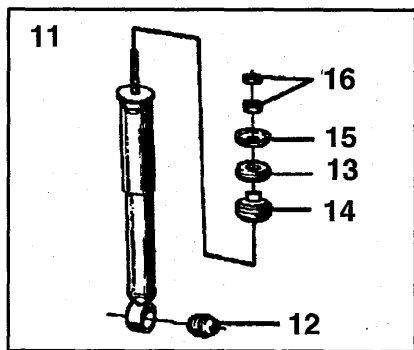
| KEY | DESCRIPTION | PART NUMBER | QTY. | NOTES |
|-----|------------------------------|-------------|------|--|
| 1 | Rear Axle | 89 57 706 | 1 | |
| 2 | Reaction Rod | 89 52 046 | 2 | |
| 3 | Bracket | 89 51 915 | 2 | |
| 4 | Cross Bar | 89 57 722 | 1 | |
| 5 | Bar | 89 68 471 | 1 | |
| 6 | Bracket | 89 58 613 | 1 | |
| 7 | Lock Nut | 89 65 360 | 2 | |
| 8 | Bearing, Spring Link | 89 57 714 | 2 | |
| 9 | Bushing | 89 51 063 | 2 | |
| 10 | Kit, Shock Absorber Assembly | 89 62 003 | 2 | VIN >H1015469 |
| 10 | Kit, Shock Absorber Assembly | 46 47 095 | 2 | VIN H1015470>, 5D Turbo |
| 10 | Kit, Shock Absorber Assembly | 40 01 004 | 2 | 1989 Fuel Injection |
| 10 | Kit, Shock Absorber Assembly | 89 93 750 | 2 | >1990, 4D With Automatic Level Control |
| 11 | Bearing Bushing | 89 52 749 | 2 | Included With Absorber |
| 12 | Bushing, Upper | 89 52 335 | 2 | Included With Absorber |
| 12 | Bushing, Upper | 89 52 335 | 2 | VIN >L1018981, >L2013605, >L8002058 With Automatic Level Control, Included With Absorber |
| 12 | Bushing, Upper | 41 06 944 | 2 | VIN L1018982>, L2013606> With Automatic Level Control, Included With Absorber |
| 13 | Washer | 89 59 934 | 2 | Included With Absorber |
| 14 | Nut | 79 79 511 | 4 | Included With Absorber |
| 15 | Bushing, Lower | 89 52 327 | 2 | Included With Absorber |
| 15 | Bushing, Lower | 89 52 327 | 2 | VIN >L1018981, >L2013605, >L8002058 With Automatic Level Control, Included With Absorber |
| 15 | Bushing, Lower | 41 06 944 | 2 | VIN L1018982>, L2013606> With Automatic Level Control, Included With Absorber |



Rear Axle & Suspension 1992-1996

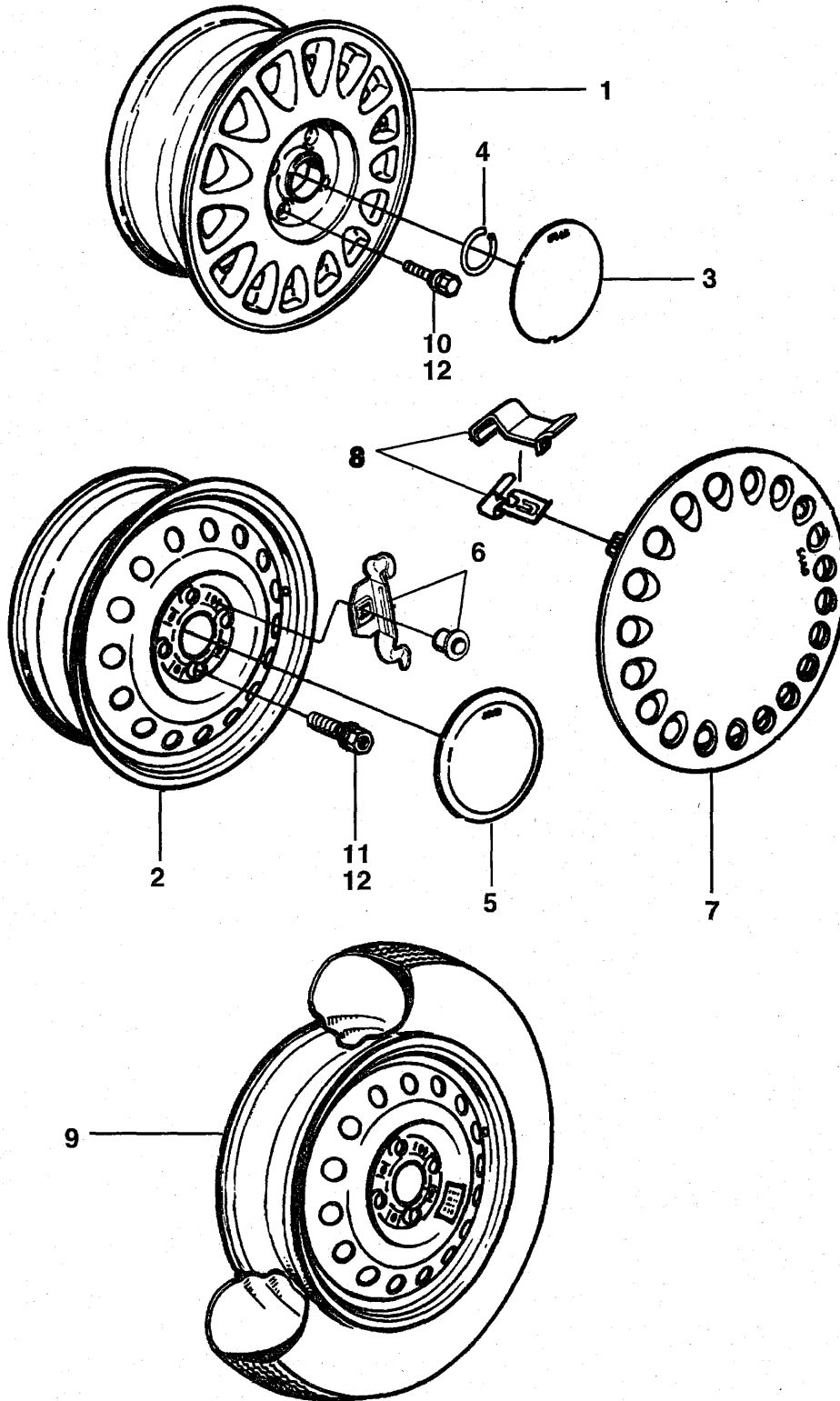
| KEY | DESCRIPTION | PART NUMBER | QTY. | NOTES |
|-----|------------------------------|-------------|------|---|
| 1 | Rear Axle | 89 57 706 | 1 | |
| 2 | Reaction Rod | 89 52 046 | 2 | |
| 3 | Bracket | 89 51 915 | 2 | |
| 4 | Cross Bar | 89 57 722 | 1 | |
| 5 | Bar | 89 68 471 | 1 | |
| 6 | Bracket | 89 58 613 | 1 | |
| 7 | Lock Nut | 89 65 360 | 2 | |
| 8 | Spring Link | 89 70 782 | 1 | |
| 9 | Bearing, Spring Link | 89 57 714 | 2 | |
| 10 | Bushing | 89 51 063 | 2 | |
| 11 | Kit, Shock Absorber Assembly | 46 47 095 | 2 | 1992 5D; 1992-94 4D |
| 11 | Kit, Shock Absorber Assembly | 46 47 095 | 2 | 1993-94 CS, All Aero |
| 11 | Kit, Shock Absorber Assembly | 46 45 016 | 2 | 1995>, 5CS |
| 11 | Kit, Shock Absorber Assembly | 89 93 784 | 2 | >1995 With Automatic Level Control |
| 12 | Bushing, Grey | 89 52 749 | 2 | Included With Absorber |
| 12 | Bushing | 89 63 944 | 2 | >1995 With Automatic Level Control Included With Absorber |
| 13 | Bushing, Upper | 41 97 422 | 2 | Included With Absorber |
| 14 | Bushing, Lower | 41 06 266 | 2 | Included With Absorber |
| 15 | Washer | 89 59 934 | 2 | Included With Absorber |
| 16 | Nut | 79 79 511 | 4 | Included With Absorber |
| 17 | Stabilizer Bar | 41 05 730 | 1 | 5D, 5CS |
| 17 | Stabilizer Bar | 89 61 765 | 1 | 4D |
| 18 | Bushing | 89 62 011 | 2 | Included With Stabilizer |
| 19 | Brace | 89 52 137 | 2 | |
| 20 | Rubber Bushing | 44 25 583 | 2 | 5D, 5CS |
| 20 | Rubber Bushing | 44 25 575 | 2 | 4D |

Rear Axle & Suspension 1997-

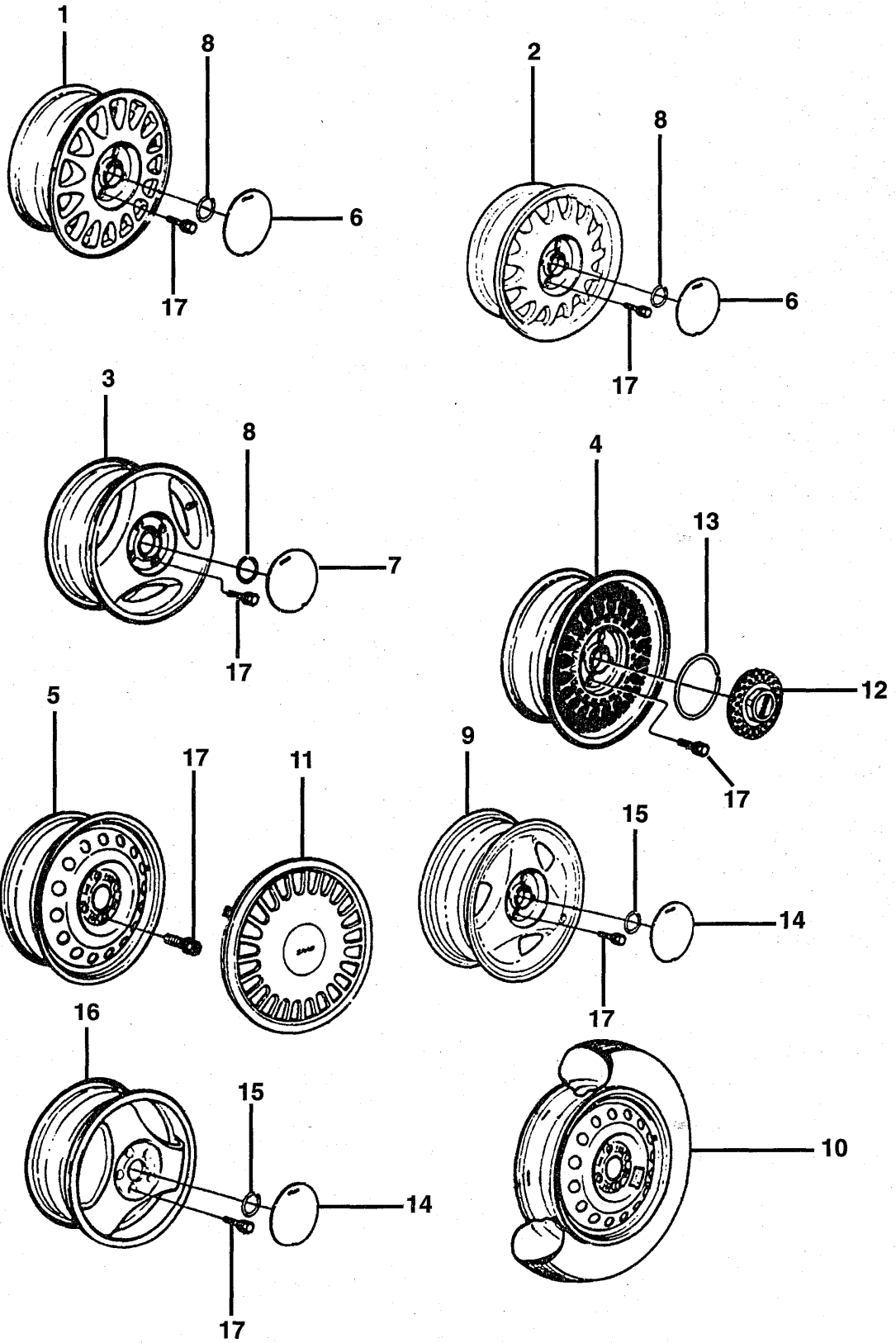


Suspension Rear Axle & Suspension 1997-1998

| KEY | DESCRIPTION | PART NUMBER | QTY. | NOTES |
|-----|--------------------------------------|-------------|------|--------------------------|
| 1 | Rear Axle | 89 57 706 | 1 | |
| 2 | Reaction Rod | 89 52 046 | 2 | |
| 3 | Bracket | 89 51 915 | 2 | |
| 4 | Cross Bar | 89 57 722 | 1 | |
| 5 | Bar | 89 68 471 | 1 | |
| 6 | Bracket | 89 58 613 | 1 | |
| 7 | Lock Nut | 89 65 360 | 2 | |
| 8 | Spring Link | 89 70 782 | 1 | |
| 9 | Bearing, Spring Link | 89 57 714 | 2 | |
| 10 | Bushing | 89 51 063 | 2 | |
| 11 | Kit, Shock Absorber Assembly, Red | 46 45 008 | 2 | Code A |
| 11 | Kit, Shock Absorber Assembly, Yellow | 46 45 016 | 2 | Code B |
| 11 | Kit, Shock Absorber Assembly, Grey | 46 47 095 | 2 | Code C |
| 12 | Bushing, Grey | 89 52 749 | 2 | Included With Absorber |
| 13 | Bushing, Upper | 41 97 422 | 2 | Included With Absorber |
| 14 | Bushing, Lower | 41 06 266 | 2 | Included With Absorber |
| 15 | Washer | 89 59 934 | 2 | Included With Absorber |
| 16 | Nut | 79 79 511 | 4 | Included With Absorber |
| 17 | Stabilizer Bar | 41 05 730 | 1 | Code C |
| 17 | Stabilizer Bar | 89 61 765 | 1 | Code D |
| 18 | Bushing | 89 62 011 | 2 | Included With Stabilizer |
| 19 | Brace | 89 52 137 | 2 | |
| 20 | Rubber Bushing | 44 25 583 | 2 | 5CS |
| 20 | Rubber Bushing | 44 25 575 | 2 | 4D |

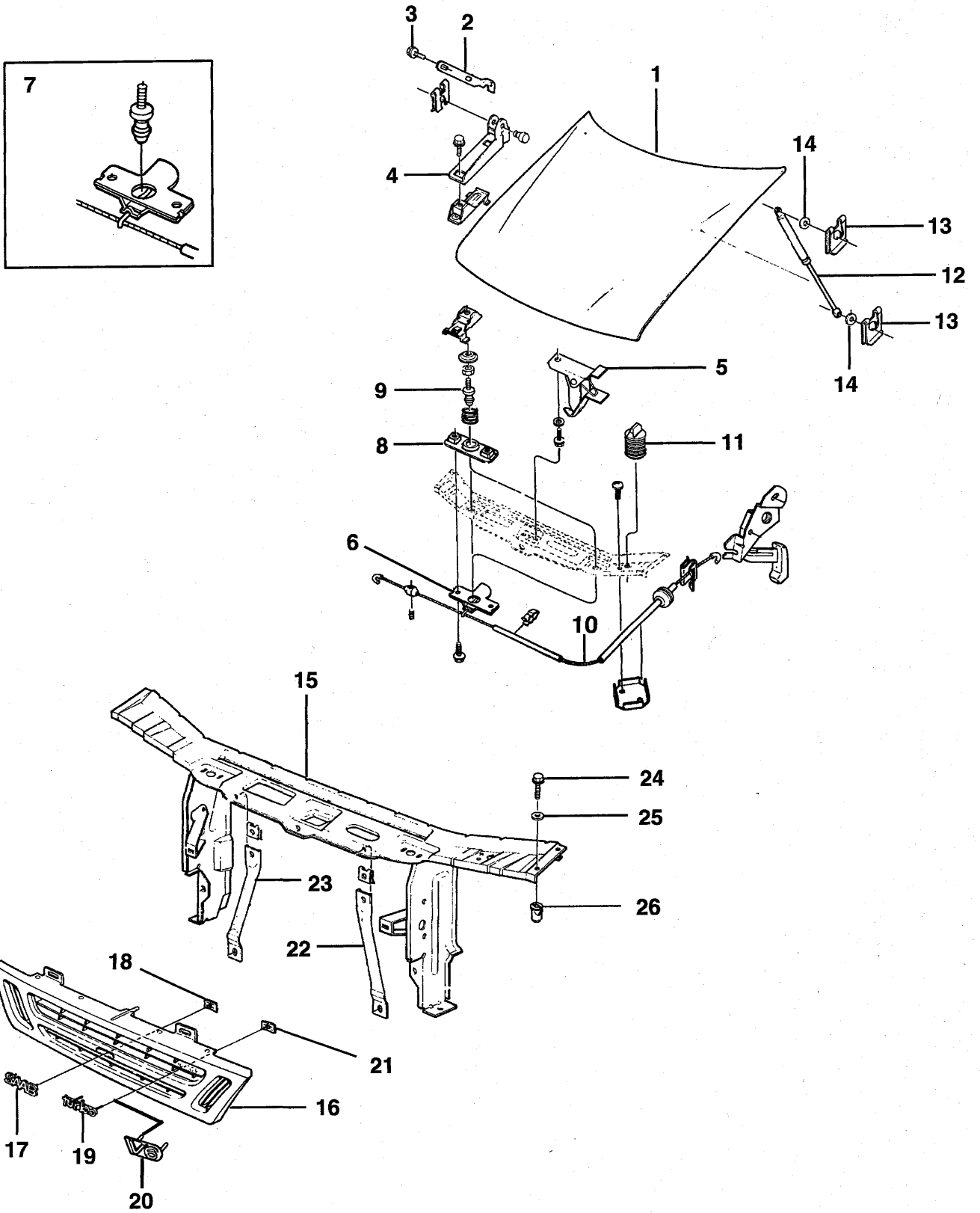


| KEY | DESCRIPTION | PART NUMBER | QTY. | NOTES |
|-----|----------------------------|-------------|------|--|
| 1 | Wheel, 6" | 89 65 212 | | 4 |
| 2 | Wheel, 5.5" | 89 61 492 | 4 | Steel Wheel, Alternative For Snow Tire |
| 3 | Hub Cap Assembly | 02 81 535 | 4 | |
| 4 | Tensioner Ring | 89 87 802 | 4 | |
| 5 | Hub Cap | 89 87 596 | 4 | Steel Wheel |
| 6 | Kit, Clip | 91 01 510 | 8 | Steel Wheel |
| 7 | Hub Cap | 89 72 812 | 4 | Steel Wheel |
| 8 | Kit, Clip | 89 73 422 | 24 | Steel Wheel |
| 9 | Spare Wheel Assembly | 41 06 365 | 1 | >1987 |
| 9 | Spare Wheel Assembly | 41 94 981 | 1 | 1988> Turbo |
| 9 | Spare Wheel Assembly | 41 06 365 | 1 | 1988> Fuel Injection |
| 10 | Wheel Bolt, Aluminum wheel | 89 58 043 | 16 | >1987 |
| 11 | Wheel Bolt, Steel Wheel | 89 62 094 | 16 | >1987 |
| 12 | Wheel Bolt | 46 45 149 | 16 | 1988> All |

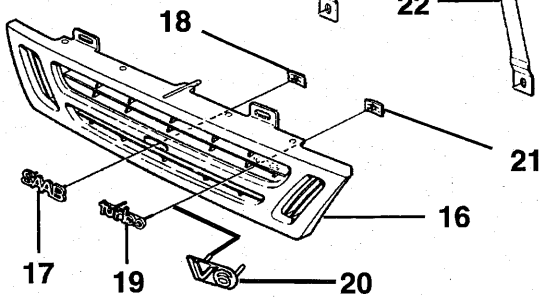
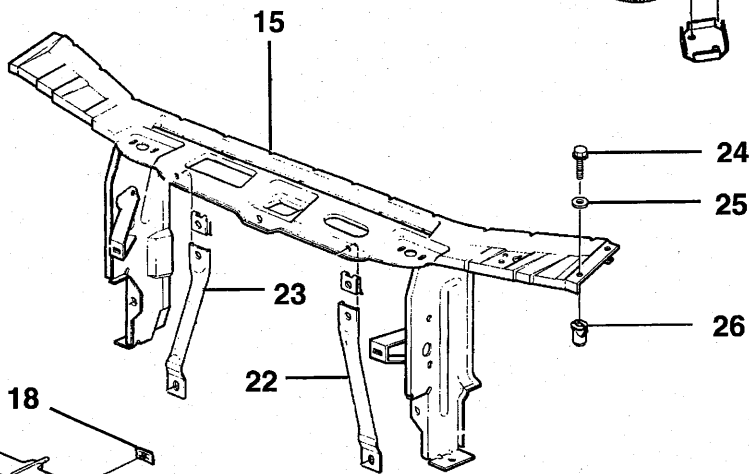
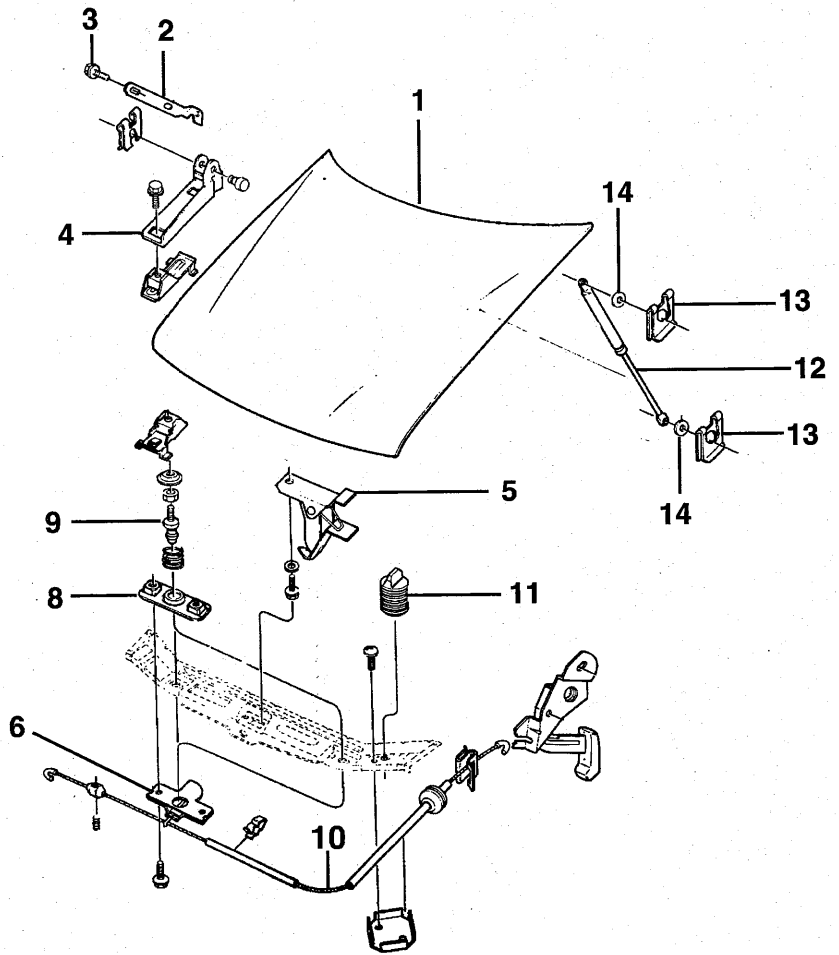
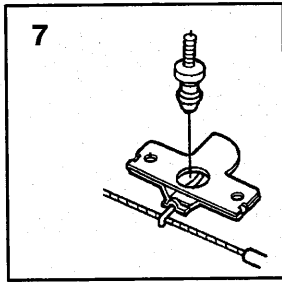


| KEY | DESCRIPTION | PART NUMBER | QTY. | NOTES |
|-----|------------------------------------|-------------|------|-----------------------|
| 1 | Wheel, 6" | 89 65 212 | 4 | 1990 |
| 2 | Wheel, 6 X 15 | 40 02 390 | 4 | 1991-94 |
| 2 | Wheel, 6 X 15 | 02 48 864 | 4 | 1995> |
| 3 | Wheel, Aero Design | 89 67 036 | 4 | >1993 |
| 3 | Wheel, 3 Spoke | 45 45 687 | 4 | 1996-97 CS & CSE |
| 4 | Wheel | 02 49 607 | 4 | 1992 |
| 5 | Wheel, Steel, Black | 89 62 391 | 4 | >1992 |
| 6 | Hub Cap | 02 81 535 | 4 | >1994 |
| 6 | Hub Cap | 44 25 476 | 4 | 1995> |
| 7 | Hub Cap, Aero Design | 89 73 018 | 4 | >1993 |
| 7 | Hub Cap, 3 Spoke | 44 25 476 | 4 | 1996-97 CS & CSE |
| 8 | Spring Ring | 89 87 802 | 1 | Included With Hub Cap |
| 9 | Wheel, LH | 40 04 735 | 2 | 1993-95 |
| 9 | Wheel, RH | 40 04 727 | 2 | 1993-95 |
| 10 | Spare Wheel | 41 94 999 | 1 | 1990 & 1992> |
| 10 | Spare Wheel | 41 94 981 | 1 | 1991 |
| 10 | Spare Wheel, TCS | 76 85 878 | 1 | 1992> |
| 11 | Wheel Cover, Plastic | 89 72 663 | 4 | >1992 |
| 12 | Hub Cap | 02 70 900 | 4 | 1992 |
| 13 | Spring Ring | 41 99 386 | 4 | Included With Hub Cap |
| 14 | Hub Cap | 44 25 476 | 4 | |
| 14 | Hub Cap (Small SAAB Blue/Red Logo) | 45 66 311 | 4 | 1998 CSE |
| 15 | Spring Ring | 89 87 802 | 4 | Included With Hub Cap |
| 16 | Wheel, 6.5 X 16 | 44 25 310 | 1 | 1994> |
| 16 | Wheel, 6 X 15 | 45 45 687 | 4 | 1996> |
| 16 | Wheel, 3 Spoke | 48 39 031 | 4 | 1998 CSE |
| 17 | Wheel Bolts | 46 45 149 | 16 | |

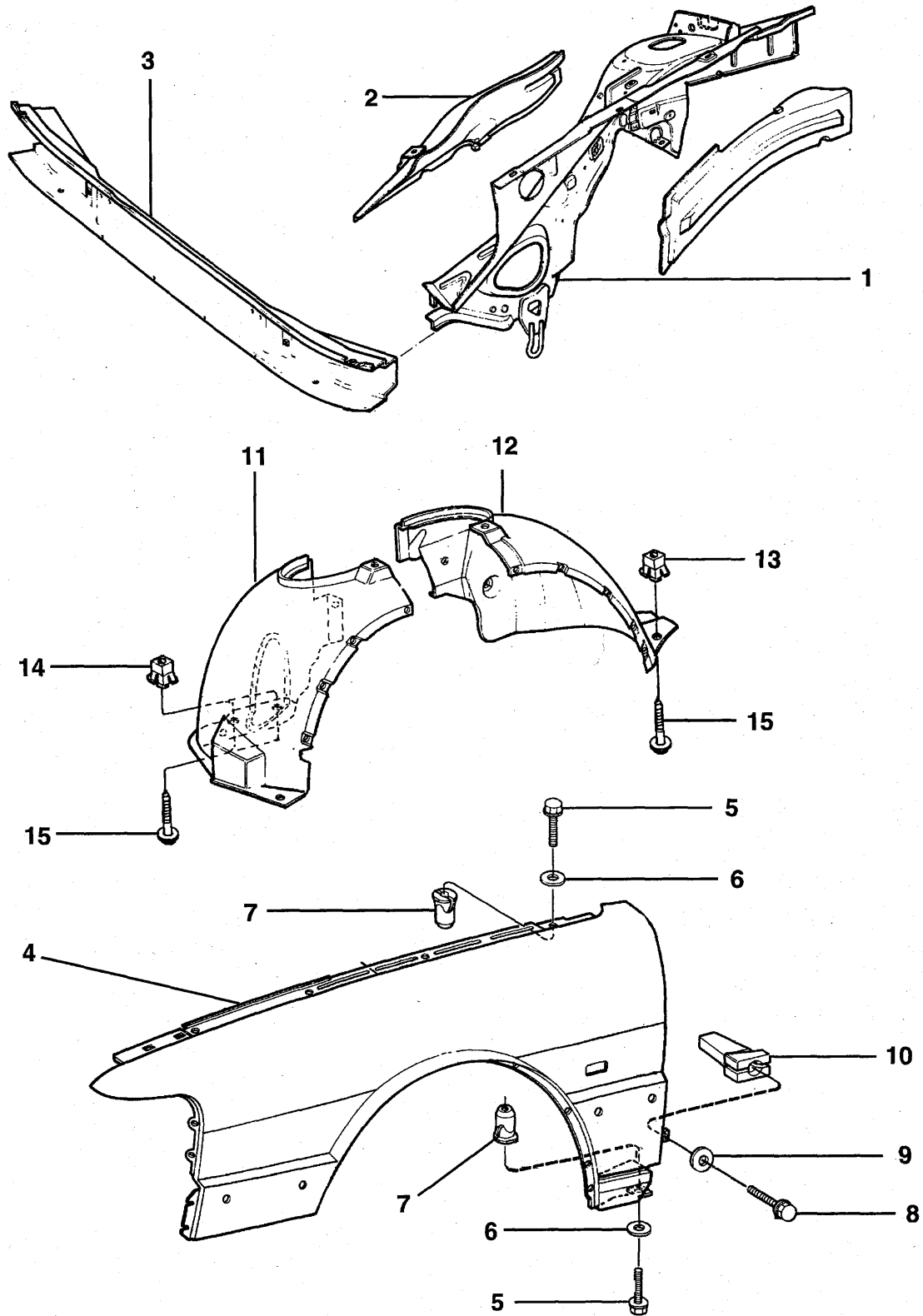
| | Page |
|--|-------|
| Hood And Grille | 08-3 |
| Front Sheet Metal | 08-7 |
| Doors And Quarter Panels | 08-9 |
| Trunk Lids >1989 | 08-13 |
| Trunk Lids 4D & 5D 1990> | 08-15 |
| Trunk Lid 5CS | 08-17 |
| Windshield, Rear Window | 08-19 |
| Door And Side Windows | 08-23 |
| Side Mouldings 4D & 5D | 08-27 |
| Side Mouldings 5CS | 08-33 |
| Side Mouldings 5CS Aero | 08-37 |
| Mirrors And Emblems | 08-41 |
| Bumpers & Spoilers 4D & 5D >1992 | 08-43 |
| Bumpers & Spoilers 1993> | 08-47 |
| Lock Cylinders | 08-51 |
| Climate Control >1989 | 08-53 |
| Climate Control 1990-91 | 08-58 |
| Climate Control 1992> | 08-57 |



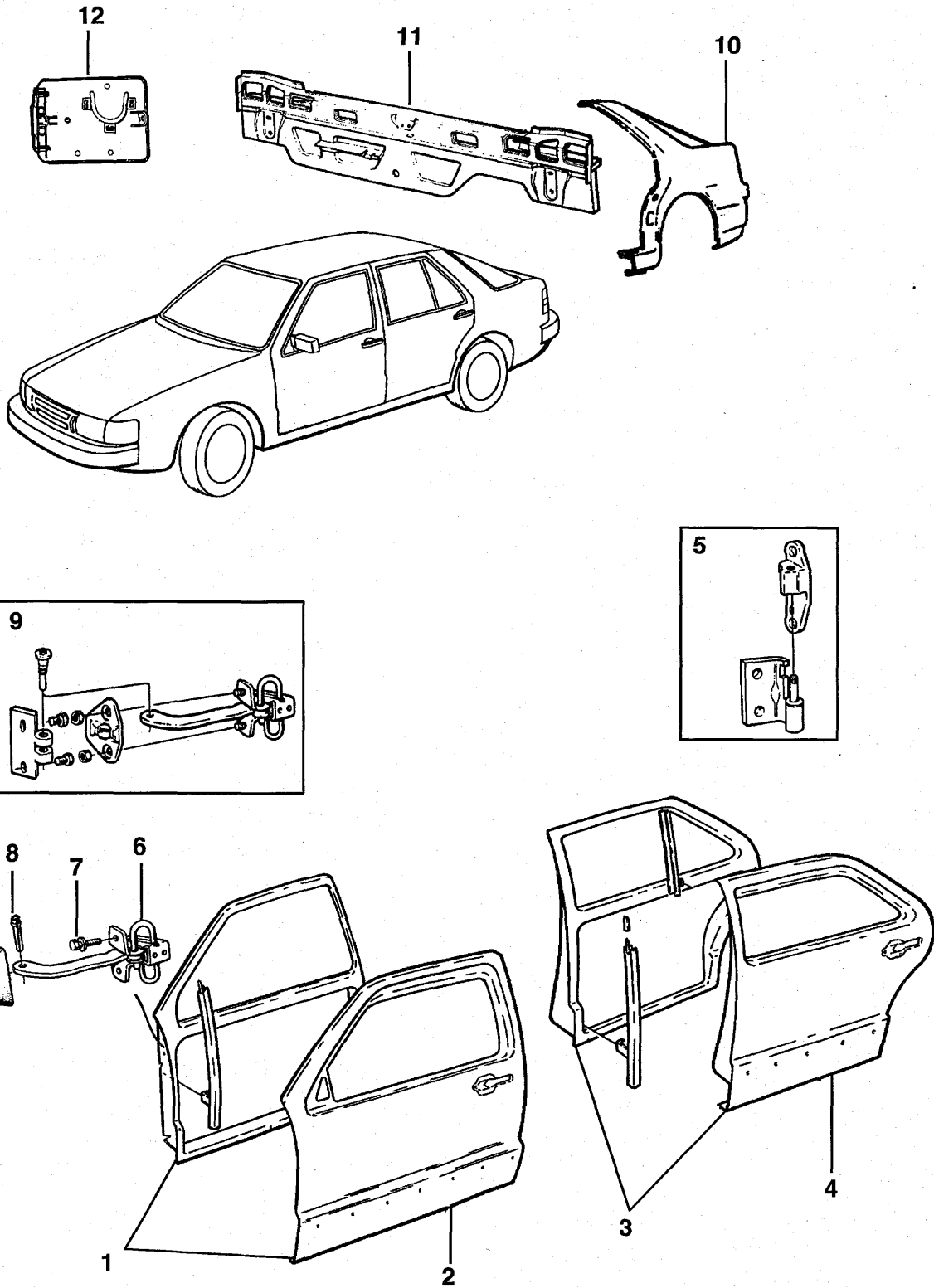
| KEY | DESCRIPTION | PART NUMBER | QTY. | NOTES |
|-----|--------------------------|-------------|------|--|
| 1 | Hood Assembly | 69 57 393 | 1 | 4D, 5D >1994 |
| 1 | Hood Assembly | 42 93 031 | 1 | 5CS & 4D 1995> |
| 2 | Hinge, LH | 92 55 779 | 1 | 4D >1994, 5D |
| 2 | Hinge, RH | 92 55 761 | 1 | 4D >1994, 5D |
| 2 | Hinge, LH | 90 81 159 | 1 | 1995 4D, All 5CS |
| 2 | Hinge, RH | 90 81 142 | 1 | 1995 4D, All 5CS |
| 3 | Screw | 82 62 958 | 4 | |
| 4 | Hinge, LH | 92 55 738 | 1 | 4D >1994, 5D |
| 4 | Hinge, RH | 92 55 720 | 1 | 4D >1994, 5D |
| 4 | Hinge, LH | 90 81 175 | 1 | 5CS & 4D 1995> |
| 4 | Hinge, RH | 90 81 167 | 1 | 5CS & 4D 1995> |
| 5 | Safety Hook | 69 73 622 | 1 | 4D >1994, 5D |
| 5 | Safety Hook | 40 98 273 | 1 | 5CS & 4D 1995> |
| 6 | Hood Lock | 96 98 523 | 2 | VIN >G1004013 Requires 92 78 557 |
| 6 | Hood Lock | 96 98 523 | 1 | VIN G1004014> >H1022423 |
| 6 | Hood Lock | 69 73 689 | 1 | VIN H1022424> J1027651>, J2016415> 1997 |
| 6 | Hood Lock | 48 59 377 | 1 | 1998 |
| 7 | Kit, Hood Lock | 96 98 523 | 1 | |
| 8 | Guide Plate | 69 73 671 | 2 | |
| 9 | Locking Pin | 92 78 557 | 2 | VIN >H1022423 |
| 9 | Locking Pin | 69 73 788 | 2 | VIN H1022424> |
| 10 | Control Cable Assembly | 69 73 218 | 1 | |
| 11 | Buffer | 43 04 234 | 2 | >1986 |
| 11 | Buffer | 92 75 744 | 2 | 1987-91 |
| 11 | Buffer | 43 04 234 | 2 | 1992> |
| 12 | Gas Spring | 92 70 240 | 2 | |
| 13 | Clip | 82 52 553 | 4 | |
| 14 | Washer | 82 52 363 | 8 | |
| 15 | Member, Upper | 69 61 858 | 1 | >1986 Requires 92 73 970, 79 61 691 |
| 15 | Member, Upper | 69 61 858 | 1 | 1987>, 4D>1994 |
| 15 | Member, Upper | 42 93 072 | 1 | 5CS & 4D 1995> |
| 16 | Grille Assembly, Chromed | 92 53 592 | 1 | >1990, 5D |
| 16 | Grille Assembly, Chromed | 92 78 136 | 1 | 4D >1990 |



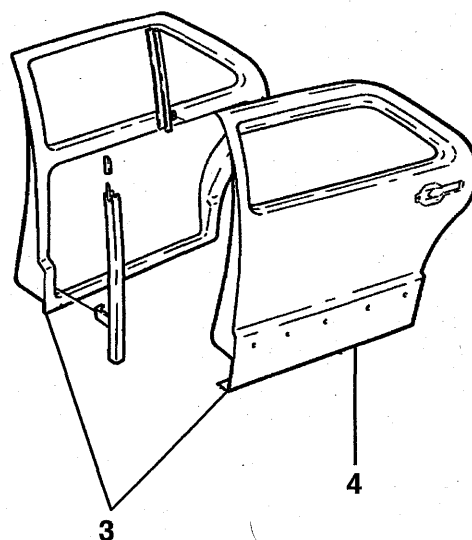
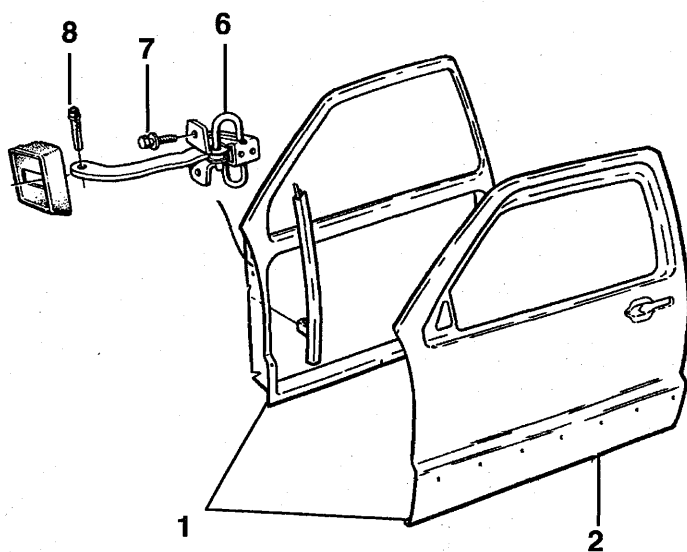
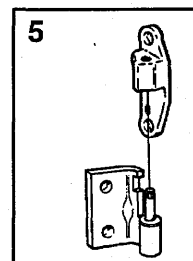
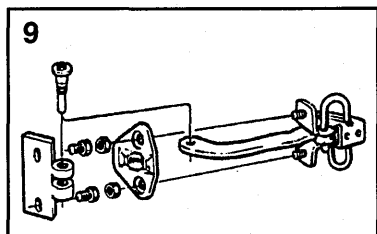
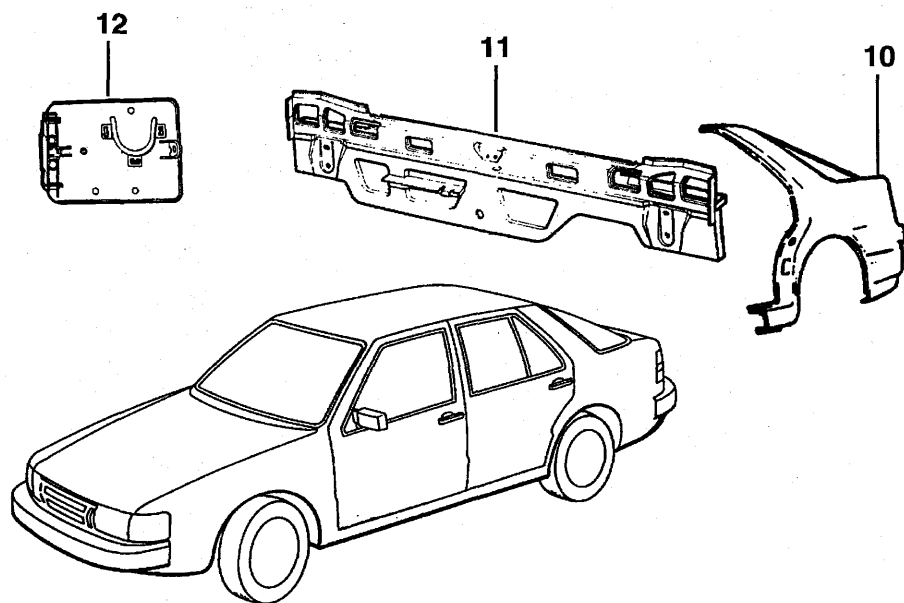
| KEY | DESCRIPTION | PART NUMBER | QTY. | NOTES |
|-----|-----------------|-------------|------|--------------------------------|
| 16 | Grille Assembly | 92 78 136 | 1 | 4D, 5D 1991-94 |
| 16 | Grille Assembly | 44 46 605 | 1 | 5CS & 4D 1995> |
| 17 | Emblem, "SAAB" | 92 53 022 | 1 | >1990, 5D Included With Grille |
| 17 | Emblem, "SAAB" | 69 56 593 | 1 | 4D >1990 |
| 17 | Emblem, "SAAB" | 69 56 593 | 1 | 1991> |
| 18 | Clip | 79 19 483 | 1 | >1992 |
| 19 | Emblem, "TURBO" | 45 21 563 | 1 | >1990 5D |
| 19 | Emblem, "TURBO" | 69 62 823 | 1 | >1990 4D |
| 19 | Emblem, "TURBO" | 69 62 823 | 1 | 1991-94 |
| 19 | Emblem, "TURBO" | 45 21 563 | 1 | 5CS 1995> |
| 20 | Emblem, "V6" | 44 35 939 | 1 | |
| 21 | Clip | 79 19 483 | 2 | |
| 22 | Bar, LH | 92 60 712 | 1 | 4D >1994, 5D |
| 23 | Bar, RH | 92 60 704 | 1 | 4D >1994, 5D |
| 23 | Bar | 90 88 444 | 2 | 4D 1995>, 5CS |
| 24 | Screw | 79 74 694 | 4 | |
| 25 | Washer | 73 98 829 | 4 | |
| 26 | Nut | 42 95 200 | 4 | |



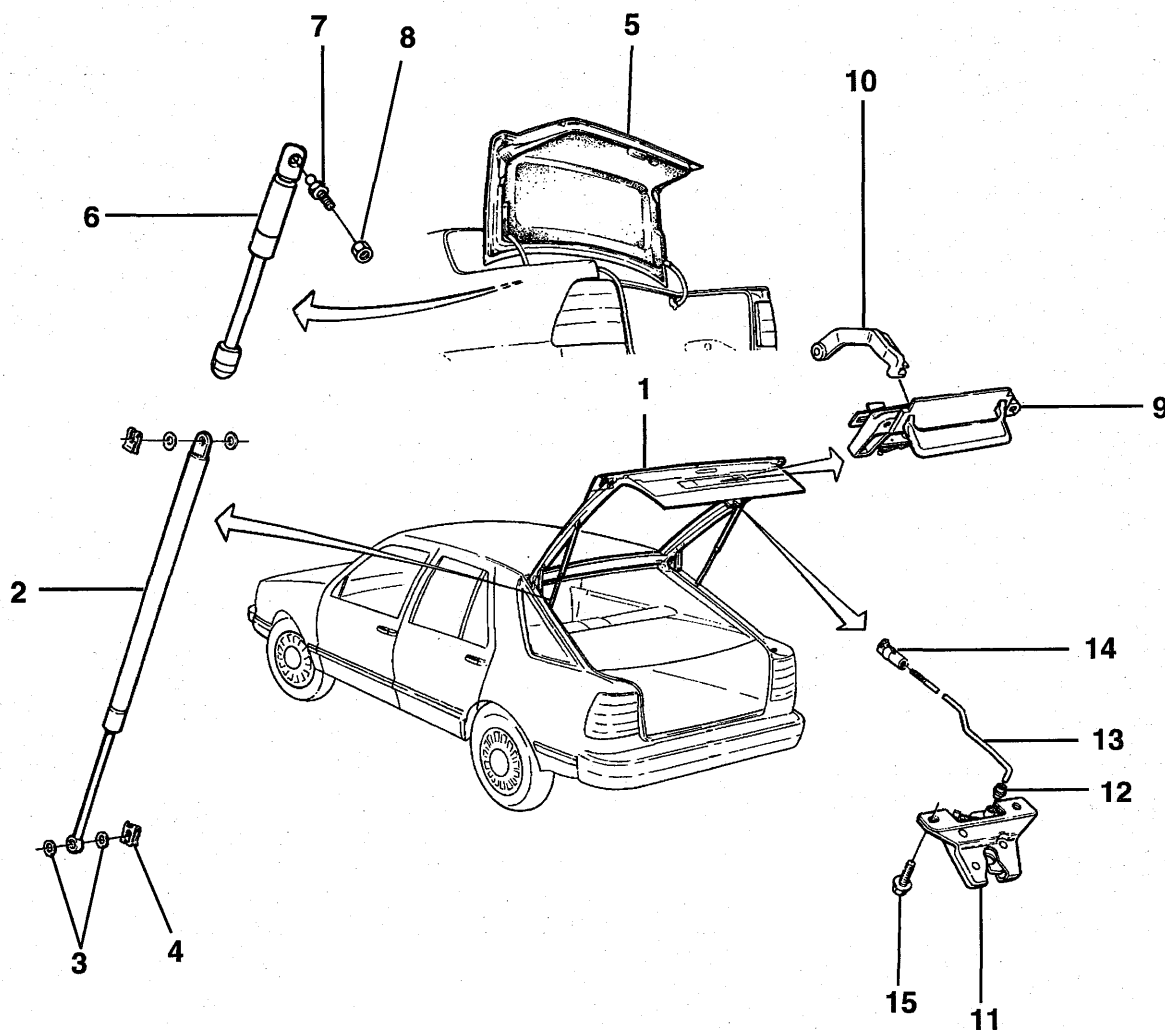
| KEY | DESCRIPTION | PART NUMBER | QTY. | NOTES |
|-----|----------------------------------|--------------------------|------|--|
| 1 | Wheel Housing, LH | Multiple Supersession | | >1991 Use 41 00 897, 42 94 393, 79 75 436 |
| 1 | Wheel Housing, RH | Multiple Supersession | | >1991 Use 41 00 897, 42 94 385, 79 75 436 |
| 1 | Wheel Housing, LH | 40 98 711 | 1 | 1992> |
| 1 | Wheel Housing, RH | 40 98 729 | 1 | 1992> |
| 2 | Member, Inner, LH | 92 65 596 | 1 | >1987 |
| 2 | Member, Inner, RH | 92 65 588 | 1 | >1987 |
| 3 | Front Member, Lower | 40 09 700 | 1 | |
| 4 | Front Fender, LH | 92 73 939 | 1 | 4D, 5D >1994 |
| 4 | Front Fender, RH | 92 73 921 | 1 | 4D, 5D >1994 |
| 4 | Front Fender, LH | 42 93 015 | 1 | 5CS & 4D 1995> |
| 4 | Front Fender, RH | 42 93 007 | 1 | 5CS & 4D 1995> |
| 5 | Screw | 79 74 694 | 10 | |
| 6 | Washer | 73 98 829 | 10 | |
| 7 | Clip | 42 95 200 | 10 | |
| 8 | Screw | 79 23 014 | 2 | |
| 9 | Washer | 80 29 977 | 2 | >1989 |
| 9 | Washer | 73 98 829 | 2 | 1990> |
| 10 | Clip | 92 52 958 | 2 | |
| 11 | Wheel Shield, Front, Plastic, LH | 42 94 054 | 1 | 1990> 5D, 4D >1994 |
| 11 | Wheel Shield, Front, Plastic, RH | 69 45 380 | 1 | >1989 |
| 11 | Wheel Shield, Front, Plastic, RH | 42 94 047 | 1 | 1990> 5D, 4D >1994 |
| 11 | Wheel Shield, Front, LH | 90 87 032 | 1 | 5CS & 4D 1995> |
| 11 | Wheel Shield, Front, RH | 90 87 024 | 1 | 5CS & 4D 1995> |
| 12 | Wheel Shield, Rear, LH | 69 45 356 | 1 | 1990> 5D, 4D >1994 |
| 12 | Wheel Shield, Rear, Plastic, RH | 69 55 447 | 1 | >1989 |
| 12 | Wheel Shield, Rear, RH | 69 45 349 | 1 | 1990> 5D, 4D >1994 |
| 12 | Wheel Shield, Rear, LH | 90 87 016 | 1 | 5CS & 4D 1995> |
| 12 | Wheel Shield, Rear, RH | 90 87 008 | 1 | 5CS & 4D 1995> |
| 13 | Nut | 79 75 261 | 10 | >1989 |
| 13 | Nut | 79 82 655 | 12 | 1990> |
| 14 | Nut | 79 75 279 | 4 | >1989 |
| 15 | Screw | 79 75 774 | 14 | >1989 |
| 15 | Screw | 79 82 325 | 12 | 1990> |



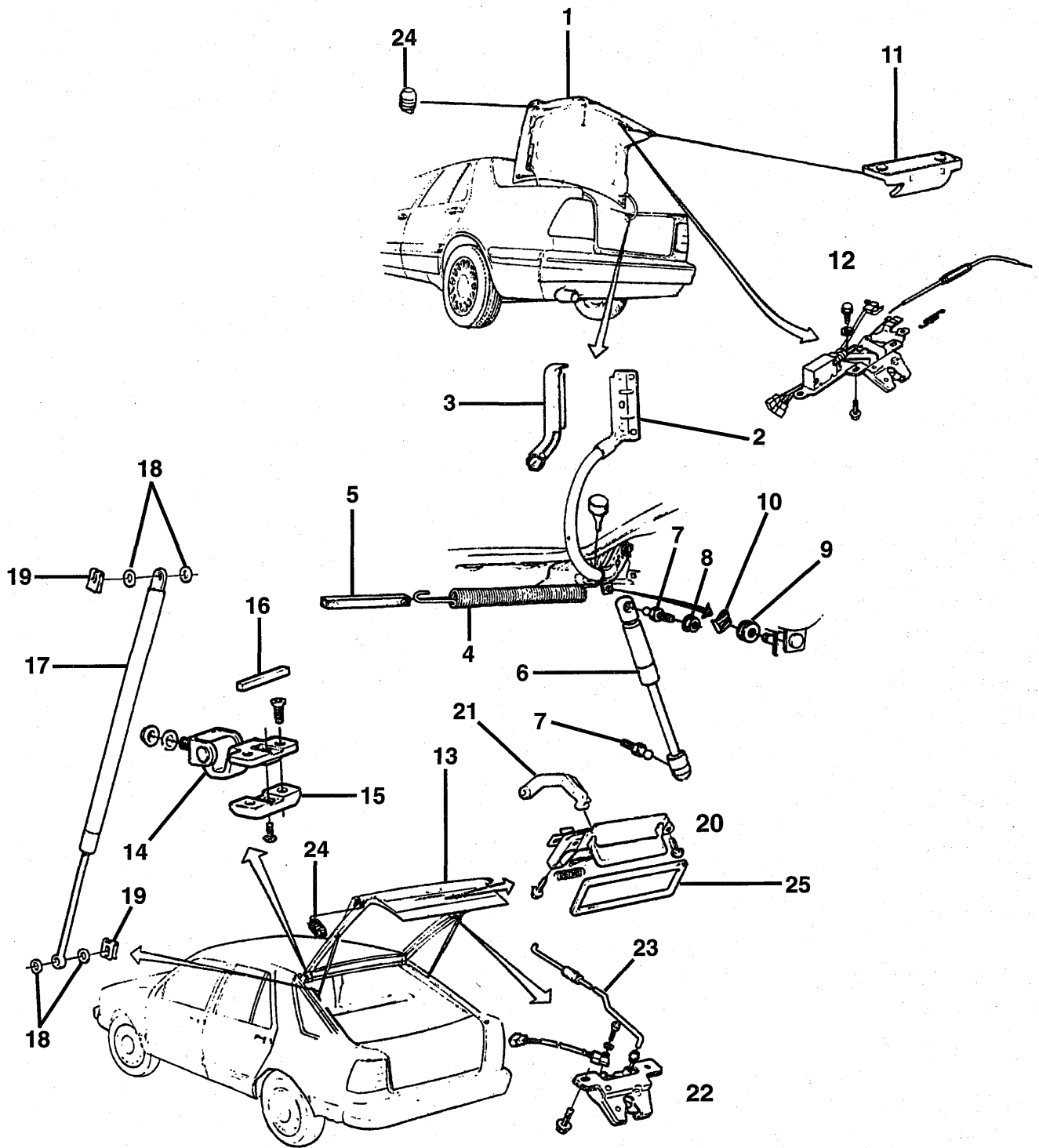
| KEY | DESCRIPTION | PART NUMBER | QTY. | NOTES |
|-----|--------------------------|-------------|------|--|
| 1 | Door Assembly, Front, LH | 69 75 791 | 1 | 4D >1994, 5D >1992 |
| 1 | Door Assembly, Front, RH | 69 75 783 | 1 | 4D >1994, 5D >1992 |
| 1 | Door Assembly, Front, LH | 43 06 031 | 1 | 5CS & 4D 1995> |
| 1 | Door Assembly, Front, RH | 43 06 049 | 1 | 5CS & 4D 1995> |
| 2 | Outer Panel, LH | 92 52 719 | 1 | 4D >1994, 5D >1992 Included With Door |
| 2 | Outer Panel, RH | 92 52 701 | 1 | 4D >1994, 5D >1992 Included With Door |
| 2 | Front Door Panel, LH | 48 57 991 | 1 | 1993> CS, 1995 4D Included With Door |
| 2 | Front Door Panel, RH | 48 57 983 | 1 | 1993> CS, 1995 4D Included With Door |
| 3 | Door Assembly, Rear, LH | 41 01 812 | 1 | 4D >1994, 5D >1992 |
| 3 | Door Assembly, Rear, RH | 41 01 804 | 1 | 4D >1994, 5D >1992 |
| 3 | Door Assembly, Rear, LH | 43 06 056 | 1 | 5CS & 4D 1995> |
| 3 | Door Assembly, Rear, RH | 43 06 064 | 1 | 5CS & 4D 1995> |
| 4 | Outer Panel, LH | 92 52 776 | 1 | 4D >1994, 5D >1992 Included With Door |
| 4 | Outer Panel, RH | 92 52 768 | 1 | 4D >1994, 5D >1992 Included With Door |
| 4 | Rear Door Panel, LH | 48 58 015 | 1 | >1993 CS, 1995 4D Included With Door |
| 4 | Rear Door Panel, RH | 48 58 007 | 1 | >1993 CS, 1995 4D Included With Door |
| 5 | Kit, Hinge, LH | 82 84 085 | 1 | 1988> |
| 5 | Kit, Hinge, RH | 82 84 077 | 1 | 1988> |
| 6 | Door Stop | 92 79 886 | 4 | >1990 |
| 7 | Screw | 92 70 257 | 8 | >1990 |
| 8 | Tension Pin | 92 67 477 | 2 | >1990 |
| 9 | Restrainer Kit, LH | 82 84 366 | 1 | 1991> |
| 9 | Restrainer Kit, RH | 82 84 358 | 1 | 1991> |
| 10 | Quarter Panel, Outer, LH | 41 01 317 | 1 | 5D >1991 |
| 10 | Quarter Panel, Outer, RH | 41 01 309 | 1 | 5D >1991 |
| 10 | Quarter Panel, Outer, LH | 40 09 254 | 1 | 1992 5D |
| 10 | Quarter Panel, Outer, RH | 40 09 247 | 1 | 1992 5D |
| 10 | Quarter Panel, Outer, LH | 40 98 570 | 1 | 4D >1994 |
| 10 | Quarter Panel, Outer, RH | 41 01 903 | 1 | 4D >1991 |
| 10 | Quarter Panel, Outer, RH | 40 98 562 | 1 | 4D 1992-94 |
| 10 | Quarter Panel, Outer, LH | 42 94 658 | 1 | 4D 1995> |
| 10 | Quarter Panel, Outer, RH | 42 94 641 | 1 | 4D 1995> |



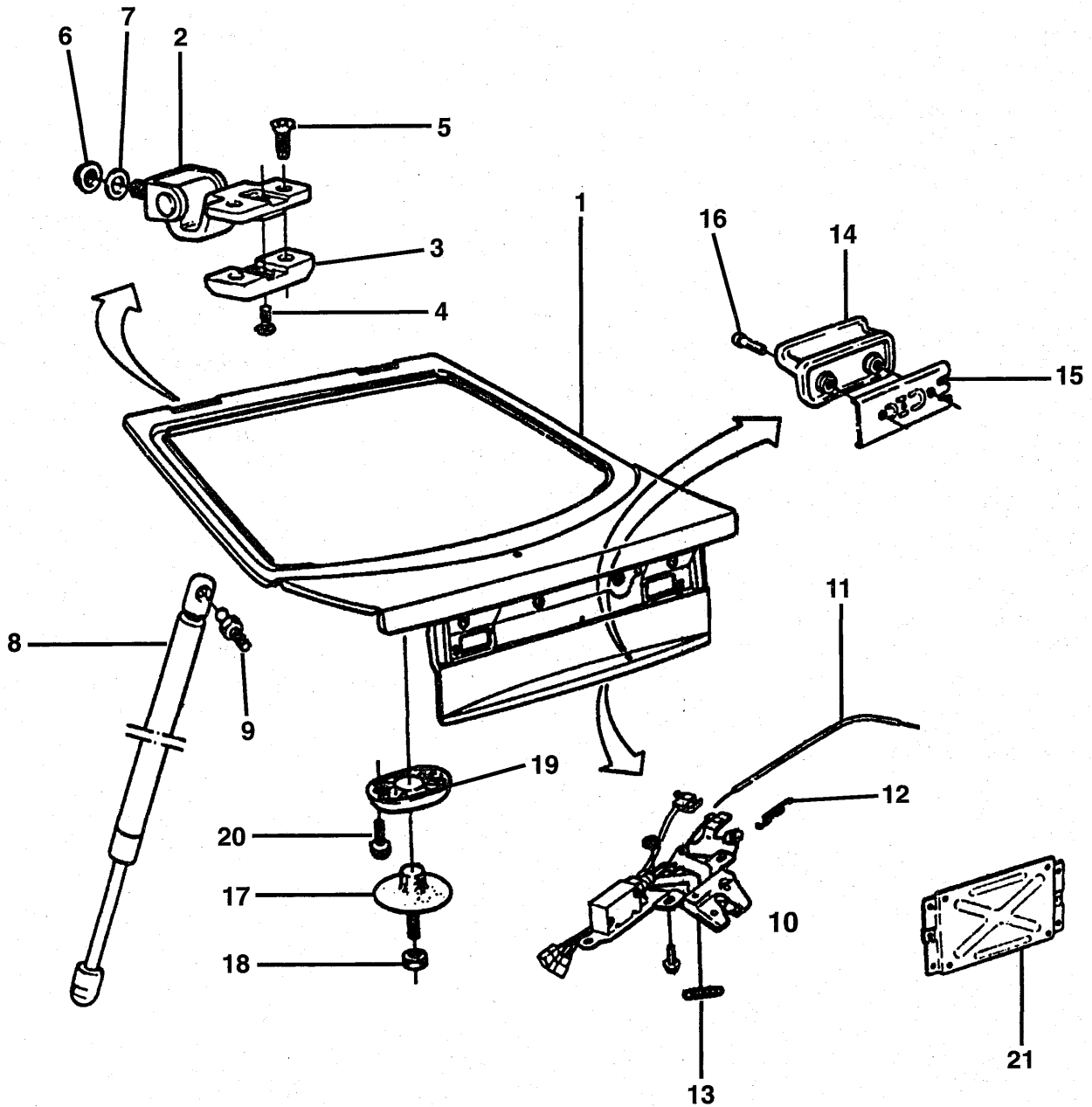
| KEY | DESCRIPTION | PART NUMBER | QTY. | NOTES |
|-----|--------------------------|-------------|------|-----------------------------|
| 10 | Quarter Panel, Outer, LH | 42 93 130 | 1 | 5CS |
| 10 | Quarter Panel, Outer, RH | 42 93 122 | 1 | 5CS |
| 11 | Rear End Panel Assembly | 92 66 198 | 1 | 5D |
| 11 | Rear End Panel Assembly | 69 63 912 | 1 | >1997 4D |
| 11 | Rear End Panel Assembly | 42 93 064 | 1 | 5CS |
| 12 | Gas Filler Door | 69 57 955 | 1 | 5D VIN >L1021664, >L2015470 |
| 12 | Gas Filler Door | 43 06 510 | 1 | 5D VIN L1021665>, L2015471> |
| 12 | Gas Filler Door | 43 06 510 | 1 | 4D |
| 12 | Gas Filler Door | 43 06 171 | 1 | 5CS |



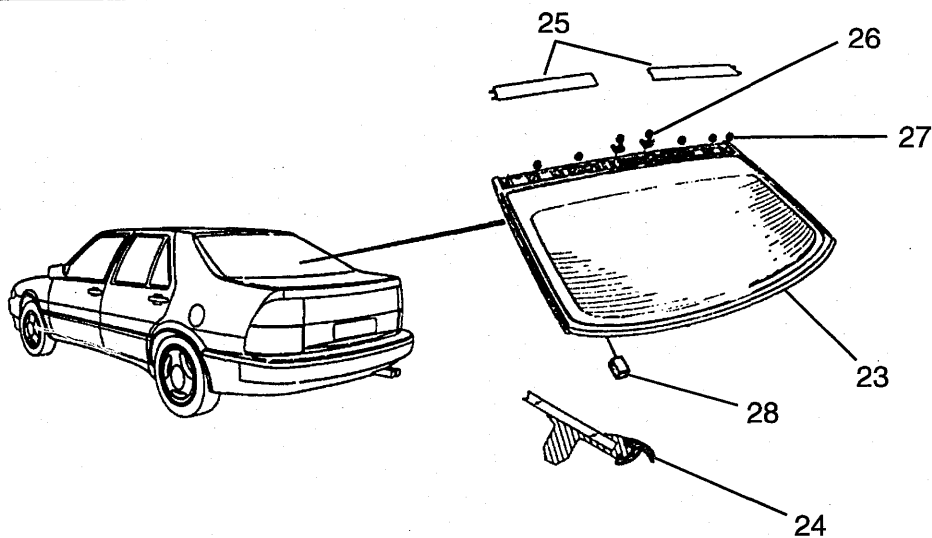
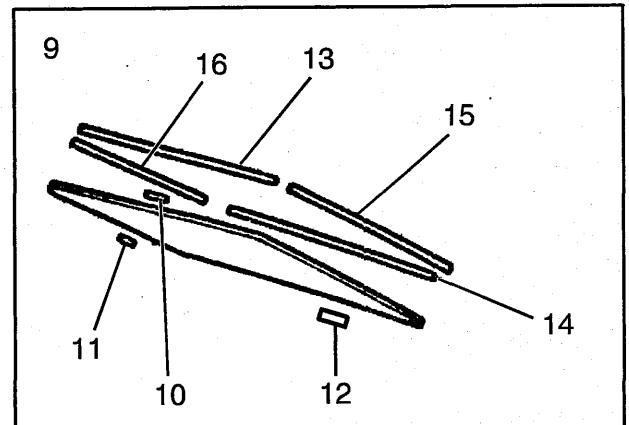
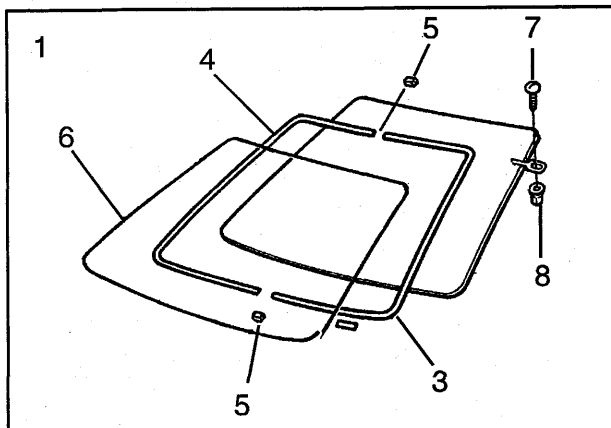
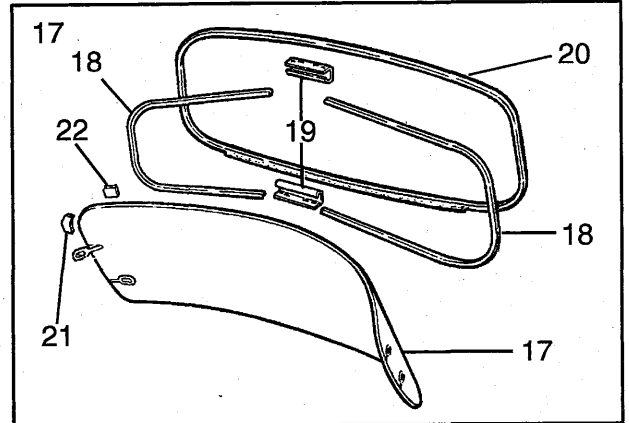
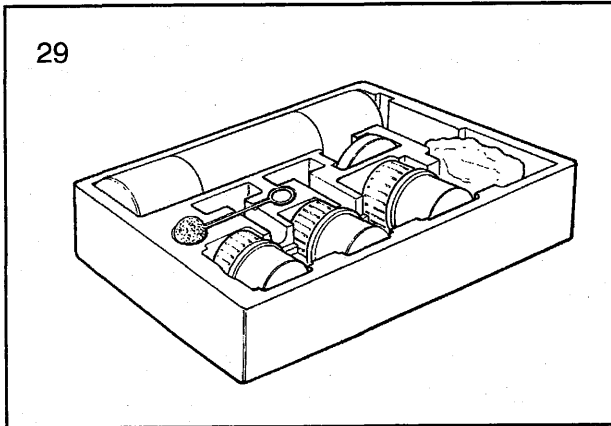
| KEY | DESCRIPTION | PART NUMBER | QTY. | NOTES |
|-----|-----------------------------------|-------------|------|-------------------------------------|
| 1 | Trunk Lid | 69 58 284 | 1 | VIN >H1007931 Requires 69 56 288 |
| 1 | Trunk Lid | 69 58 284 | 1 | VIN H1007932> |
| 2 | Gas Spring | 92 53 964 | 1 | VIN >H1007931, >H8000099 |
| 2 | Gas Spring | 69 56 288 | 1 | VIN H1007932>, H8000100> |
| 2 | Gas Spring, Trunk Without Spoiler | 69 56 262 | 1 | VIN >H1007931, >H8000099 |
| 2 | Gas Spring, Trunk Without Spoiler | 69 56 270 | 1 | VIN H1007932>, H8000100> |
| 3 | Washer | 82 52 363 | 8 | |
| 4 | Clip | 82 52 553 | 4 | |
| 5 | Trunk Lid | 40 06 086 | 1 | 4D Requires 40 88 274 |
| 6 | Gas Spring | 69 76 369 | 1 | 4D |
| 7 | Ball Pin | 69 51 974 | 2 | 4D |
| 8 | Flange Nut | 79 67 953 | 2 | 4D |
| 9 | Handle | 82 84 861 | 1 | |
| 10 | Control Link | 92 60 068 | 1 | |
| 10 | Control Link | 69 56 791 | 1 | 4D |
| 11 | Door Lock Assembly | 92 52 198 | 1 | |
| 12 | Clip | 92 56 306 | 1 | Included With Lock |
| 13 | Control Rod | 69 54 325 | 1 | |
| 13 | Control Rod | 69 63 029 | 1 | 4D |
| 14 | Ball Joint Housing | 92 56 488 | 1 | |
| 15 | Screw | 79 69 223 | 4 | |



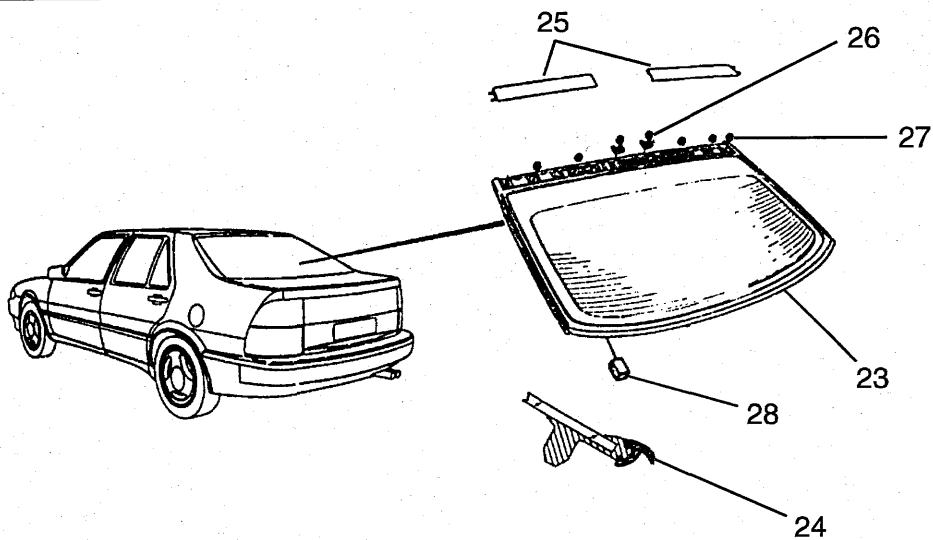
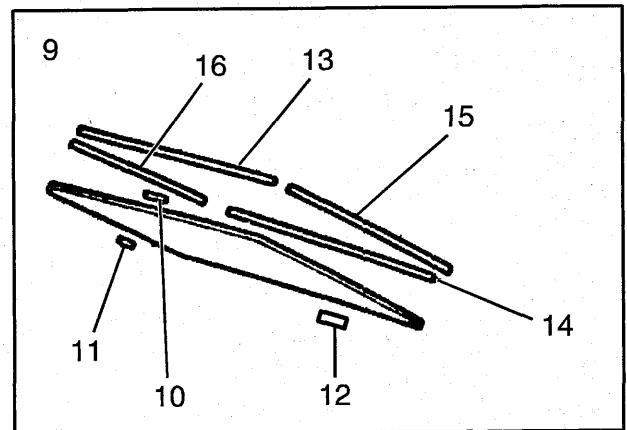
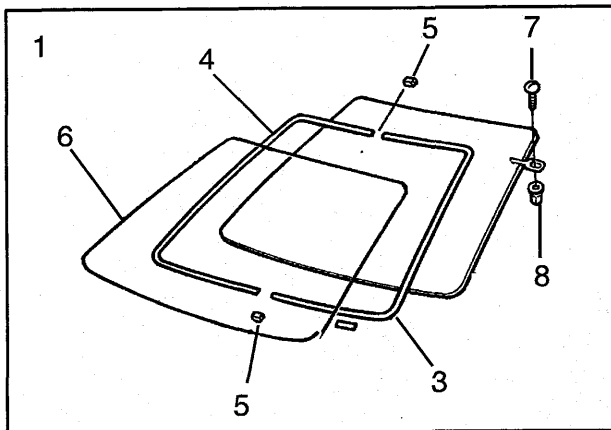
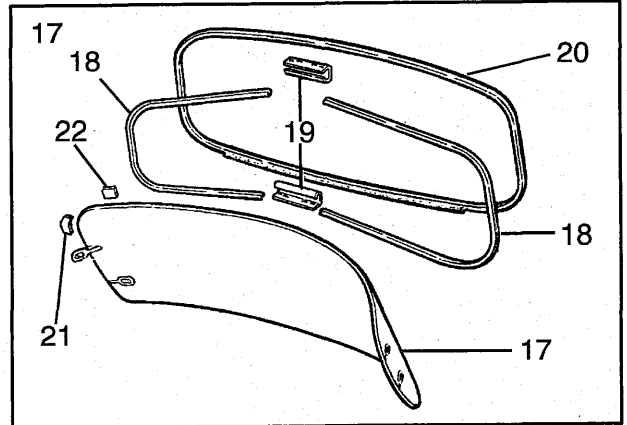
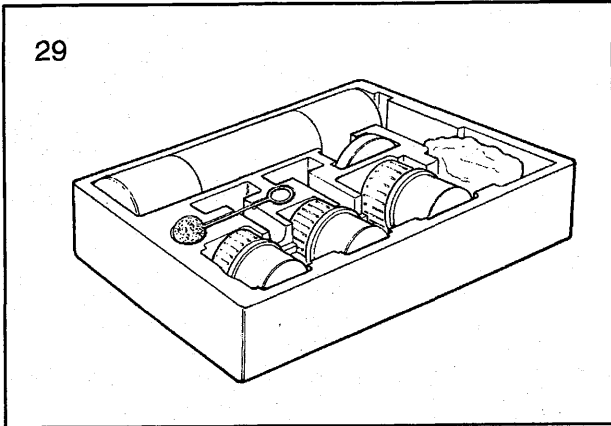
| KEY | DESCRIPTION | PART NUMBER | QTY. | NOTES |
|-----|------------------|-------------|------|-----------------------|
| 1 | Trunk Lid | 40 06 094 | 1 | 4D >1990 |
| 1 | Trunk Lid | 41 00 582 | 1 | 4D 1991-94 |
| 1 | Trunk Lid | 43 04 465 | 1 | 4D 1995> |
| 2 | Hinge, LH | 69 63 995 | 1 | 4D |
| 2 | Hinge, RH | 69 63 953 | 1 | 4D |
| 3 | Cover, Hinge, LH | 69 62 534 | 1 | 4D |
| 3 | Cover, Hinge, RH | 69 62 526 | 1 | 4D |
| 4 | Spring | 69 61 866 | 2 | 4D |
| 5 | Absorber | 43 05 330 | 2 | 4D |
| 6 | Gas Spring | 69 76 369 | 2 | 4D |
| 7 | Ballpin | 69 51 974 | 2 | 4D >1993 |
| 7 | Ballpin | 44 93 912 | 2 | 4D 1994> |
| 8 | Nut | 79 67 953 | 1 | 4D |
| 9 | Bushing | 40 06 557 | 2 | 4D |
| 10 | Clip | 82 52 553 | 2 | 4D |
| 11 | Handle | 95 74 302 | 1 | 4D |
| 12 | Lock Assembly | 42 51 922 | 1 | 4D >1991 |
| 12 | Lock Assembly | 42 51 799 | 1 | 4D 1992 |
| 12 | Lock Assembly | 43 04 564 | 1 | 4D 1993> |
| 13 | Trunk Lid | 69 44 573 | 1 | 5D |
| 14 | Hinge, LH | 69 44 490 | 1 | 5D |
| 14 | Hinge, RH | 69 44 482 | 1 | 5D |
| 15 | Plate | 69 44 565 | 1 | 5D |
| 16 | Spacer | 69 92 028 | 2 | 5D |
| 17 | Gas Spring | 69 56 288 | 2 | 5D |
| 17 | Gas Spring | 69 56 270 | 2 | 5D Without Spoiler |
| 18 | Washer | 82 52 363 | 8 | 5D |
| 19 | Clip | 82 52 553 | 4 | 5D |
| 20 | Handle | 40 91 765 | 1 | 5D |
| 21 | Control Link | 92 60 068 | 1 | 5D |
| 22 | Lock Assembly | 41 02 034 | 1 | 5D |
| 23 | Control Rod | 40 91 690 | 1 | 5D Included With Lock |
| 24 | Rubber Buffer | 92 75 744 | 2 | 5D >1991 |
| 24 | Rubber buffer | 69 61 874 | 2 | 4D >1991 |
| 24 | Rubber Buffer | 43 04 234 | 2 | 1992> |
| 25 | Seal | 69 56 189 | 1 | 5D |



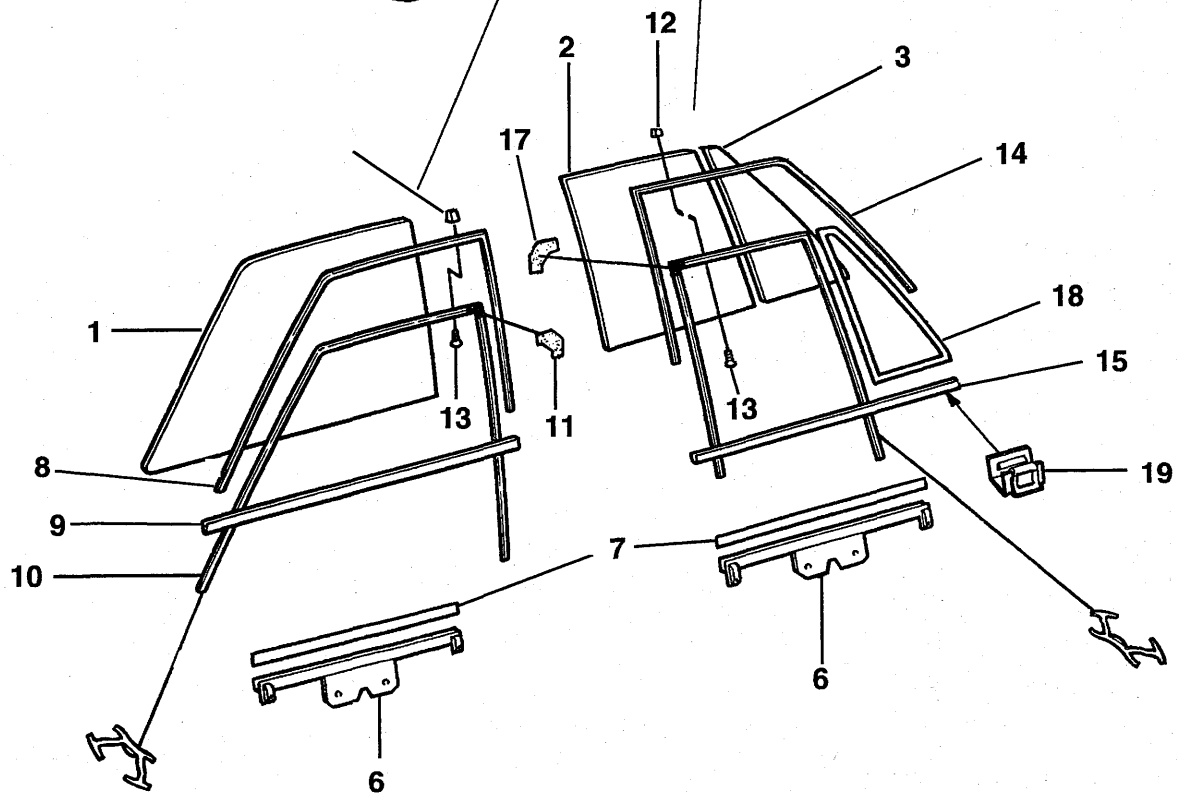
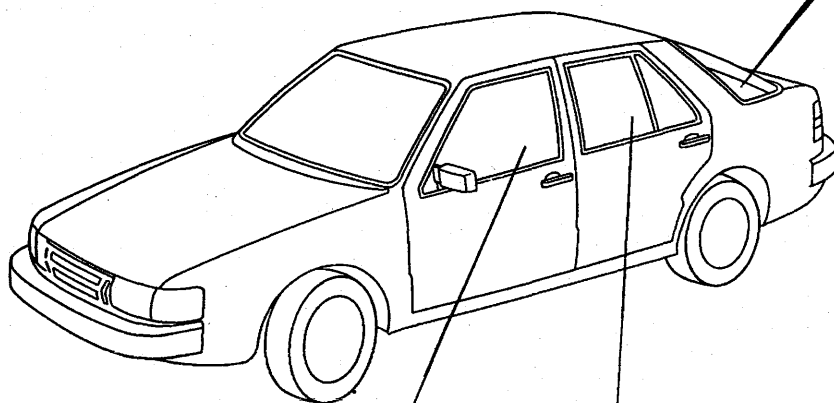
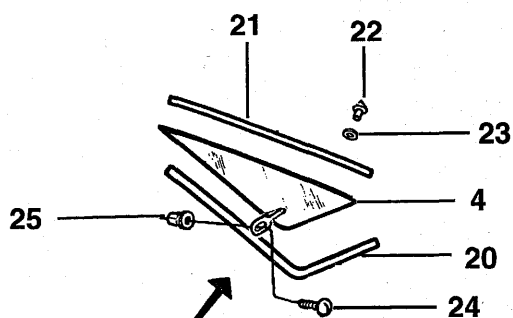
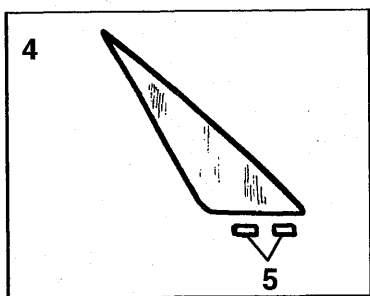
| KEY | DESCRIPTION | PART NUMBER | QTY. | NOTES |
|-----|------------------------|-------------|------|--------------------|
| 1 | Trunk Lid | 48 53 776 | 1 | |
| 2 | Hinge, LH | 69 44 490 | 1 | |
| 2 | Hinge, RH | 69 44 482 | 1 | |
| 3 | Plate | 69 44 565 | 1 | |
| 4 | Screw | 93 50 653 | 2 | |
| 5 | Screw | 90 88 592 | 2 | >1995 |
| 5 | Screw | 82 62 958 | 2 | 1996> |
| 6 | Nut | 79 67 953 | 2 | |
| 7 | Washer | 41 01 705 | 2 | |
| 8 | Gas Spring | 43 06 411 | 2 | |
| 9 | Ballpin | 69 51 974 | 4 | >1993 |
| 9 | Ballpin | 44 93 912 | 4 | 1992> |
| 10 | Lock Assembly | 43 04 846 | 1 | |
| 11 | Cable | 90 85 861 | 1 | Included With Lock |
| 12 | Spring | 40 10 963 | 1 | Included With Lock |
| 13 | Spring | 40 88 209 | 1 | Included With Lock |
| 14 | Handle | 96 70 548 | 1 | |
| 15 | Bracket | 42 70 948 | 1 | |
| 16 | Screw | 79 70 262 | 2 | |
| 17 | Support | 41 00 871 | 2 | |
| 18 | Nut | 40 87 045 | 2 | |
| 19 | Support | 40 99 099 | 2 | VIN >S1034939 |
| 19 | Support | 45 59 209 | 2 | VIN S1034940> |
| 20 | Screw | 79 78 422 | 4 | |
| 21 | Bracket, License Plate | 90 87 297 | 1 | |



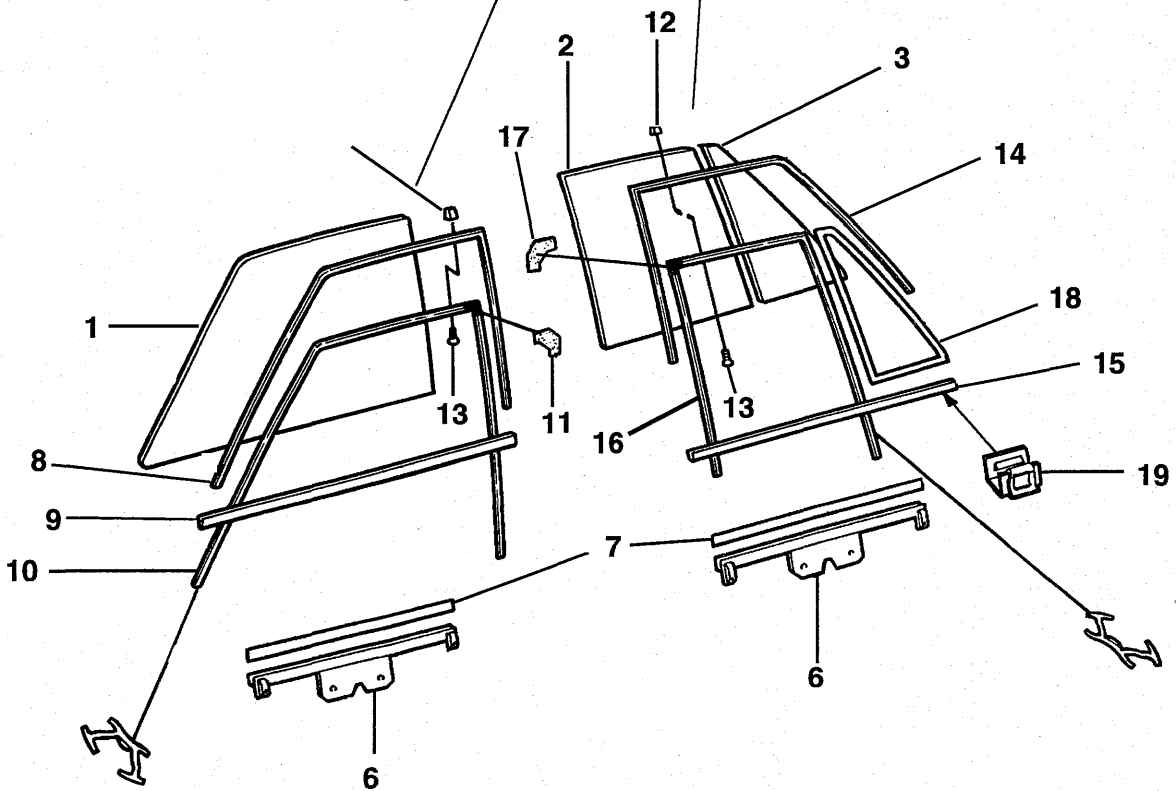
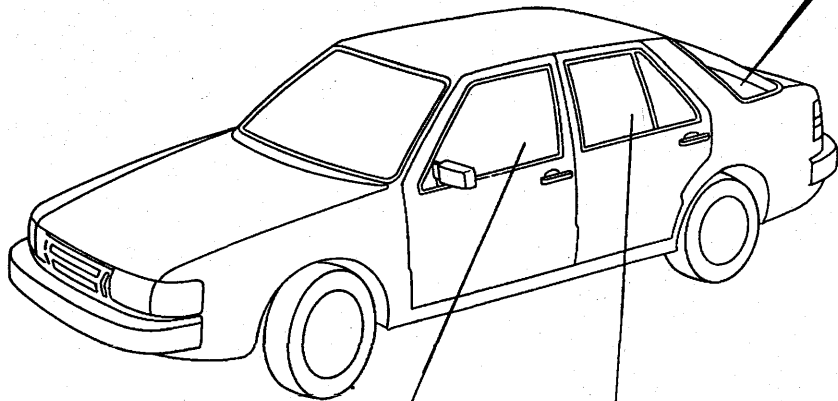
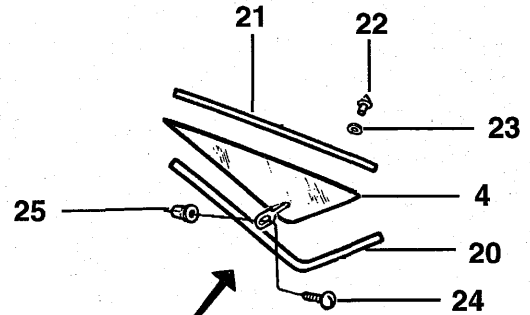
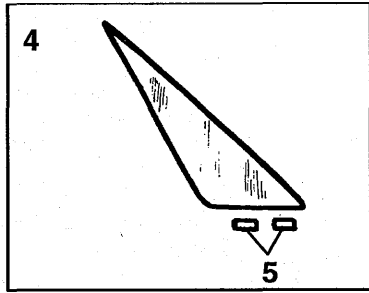
| KEY | DESCRIPTION | PART NUMBER | QTY. | NOTES |
|-----|-------------------------|-------------|------|--|
| 1 | Kit, Glass, Windshield | 82 85 330 | 1 | >1991 Kit Includes Glass Requires Mounting. Kit 82 84 531 |
| 1 | Kit, Glass, Windshield | 74 97 043 | 1 | 1992-93 Colored Kit Includes Glass |
| 1 | Kit, Glass, Windshield | 74 97 092 | 1 | 1994> Heat Absorbing Kit Includes Glass |
| 3 | Retainer Moulding, LH | 92 78 318 | 1 | Included In Kit |
| 4 | Retainer Moulding, RH | 92 78 300 | 1 | Included In Kit |
| 5 | Joint Piece | 92 78 334 | 2 | Included In Kit |
| 6 | Moulding | 42 50 320 | 1 | |
| 7 | Screw | 79 70 601 | 1 | >1989 |
| 8 | Press Nut | 79 75 261 | 1 | >1989 |
| 9 | Kit, Glass, Trunk Lid | 82 84 580 | 1 | 5D 1986-92 Kit Includes Glass |
| 10 | Spacer, Upper | 92 59 581 | 1 | >1989 Included In Kit |
| 10 | Spacer, Upper | 41 71 229 | 2 | 1990-91 Included In Kit |
| 10 | Spacer, Upper | 40 13 603 | 2 | 1992> Included In Kit |
| 11 | Spacer, LH & RH | 92 59 599 | 2 | >1989 Included In Kit |
| 11 | Spacer, LH & RH | 69 56 734 | 3 | 1990> Included In Kit |
| 12 | Spacer, Lower | 92 59 565 | 5 | >1989 Included In Kit |
| 13 | Moulding, Upper | 40 14 155 | 1 | >1989 |
| 13 | Moulding, Upper | 42 54 348 | 1 | 1990> |
| 14 | Moulding, Lower | 40 14 163 | 1 | |
| 15 | Moulding, LH | 40 14 601 | 1 | 1986> |
| 16 | Moulding, RH | 69 55 892 | 1 | >1989 |
| 16 | Moulding, RH | 40 14 593 | 1 | 1990> |
| 17 | Kit, Glass, Rear Window | 82 84 069 | 1 | 4D >1993 |
| 17 | Kit, Glass, Rear Window | 74 97 118 | 1 | 4D 1994> |
| 18 | Retainer Moulding, LH | 69 62 815 | 1 | Included In Kit |
| 18 | Retainer Moulding, RH | 69 62 807 | 1 | Included In Kit |
| 19 | Joint Piece | 92 78 334 | 2 | Included In Kit |
| 20 | Cover Strip | 69 48 871 | 1 | Included In Kit |
| 21 | Spacer | 69 91 244 | 4 | Included In Kit |
| 22 | Spacer | 69 92 028 | 3 | Included In Kit |
| 23 | Glass, Rear Window | 43 06 296 | 1 | 5CS |
| 24 | Seal | 43 04 341 | 1 | Included With Window |
| 25 | Moulding, LH | 90 83 858 | 1 | |



| KEY | DESCRIPTION | PART NUMBER | QTY. | NOTES |
|-----|---------------------------------|-------------|------|-------|
| 25 | Moulding, RH | 90 83 841 | 1 | |
| 26 | Washer | 90 89 517 | 2 | |
| 27 | Nut | 73 98 423 | 8 | |
| 28 | Seal | 40 96 343 | 2 | |
| 29 | Adhesive And Cleaning Equipment | 30 05 600 | 1 | >1989 |



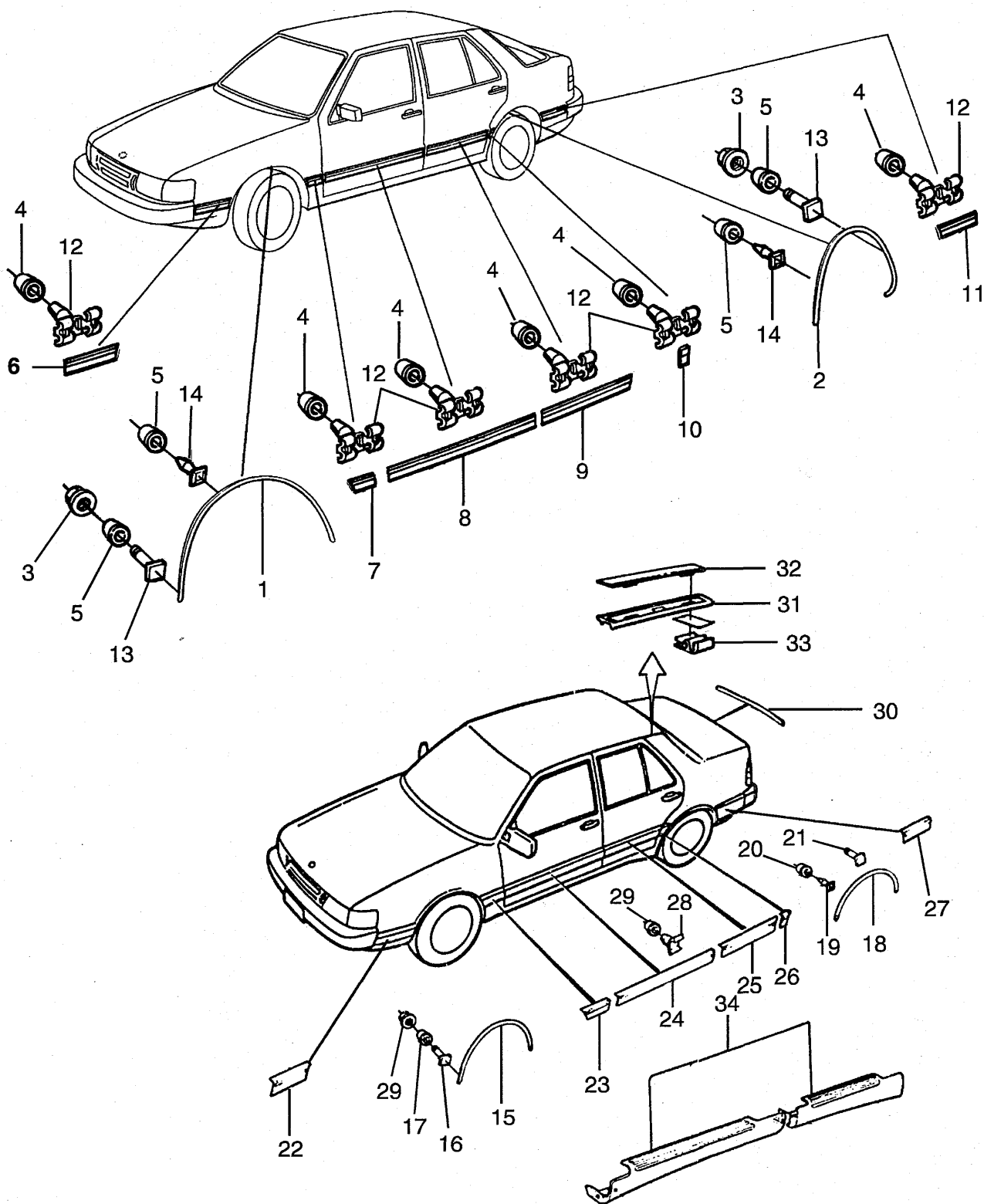
| KEY | DESCRIPTION | PART NUMBER | QTY. | NOTES |
|-----|----------------------------------|-------------|------|---|
| 1 | Glass, Front Door Window, LH | 43 04 176 | 1 | >1993 |
| 1 | Glass, Front Door Window, RH | 43 04 168 | 1 | >1993 |
| 1 | Glass, Front Door, LH | 45 50 943 | 1 | 1994> |
| 1 | Glass, Front Door, RH | 45 50 935 | 1 | 1994> |
| 2 | Glass, Rear Door, LH | 43 04 192 | 1 | >1993 |
| 2 | Glass, Rear Door, RH | 43 04 184 | 1 | >1993 |
| 2 | Glass, Rear Door, LH | 43 06 239 | 1 | 1994> |
| 2 | Glass, Rear Door, RH | 43 06 221 | 1 | 1994> |
| 3 | Glass, Fixed Door Window, LH | 43 03 251 | 1 | VIN >L1007641, >L2005700, >L8001174 |
| 3 | Glass, Fixed Door Window, RH | 43 03 244 | 1 | VIN >L1007641, >L2005700, >L8001174 |
| 3 | Glass, Fixed Door Window, LH | 43 03 251 | 1 | VIN L1007642>, L2005701>, >L8001175> >1993 |
| 3 | Glass, Fixed Door Window, RH | 43 03 244 | 1 | VIN L1007642>, L2005701>, >L8001175> >1993 |
| 3 | Glass, Fixed Door Window, LH | 47 65 178 | 1 | 1994> |
| 3 | Glass, Fixed Door Window, RH | 47 65 160 | 1 | 1994> |
| 4 | Kit, Side Window With Spacer, LH | 82 83 897 | 1 | |
| 4 | Kit, Side Window With Spacer, RH | 82 83 905 | 1 | |
| 5 | Spacer | 92 59 557 | 2 | Included In Kit |
| 6 | Glass Retainer | 69 56 700 | 1 | VIN >R1008701 |
| 6 | Glass Retainer | 45 50 497 | 1 | VIN R1008702> |
| 7 | Spacer | 92 63 708 | 1 | |
| 8 | Door Frame Assembly, Front, LH | 92 61 132 | 1 | Black/Chrome >1993 |
| 8 | Door Frame Assembly, Front, RH | 92 61 124 | 1 | Black/Chrome >1993 |
| 8 | Door Frame Assembly, Front, LH | 69 92 630 | 1 | 1990> Black |
| 8 | Door Frame Assembly, Front, RH | 69 92 622 | 1 | 1990> Black |
| 9 | Moulding, Front Door, LH | 92 62 288 | 1 | >1989 |
| 9 | Moulding, Front Door, RH | 92 62 296 | 1 | >1989 |
| 9 | Moulding, Front Door, LH | 40 14 171 | 1 | Black/Chrome >1993 |
| 9 | Moulding, Front Door, RH | 40 14 189 | 1 | Black/Chrome >1993 |
| 9 | Moulding, Front Door, LH | 40 13 777 | 1 | 1990> Black |
| 9 | Moulding, Front Door, RH | 40 13 785 | 1 | 1990> Black |
| 10 | Seal, Window Channel, LH | 92 74 267 | 1 | >1989 |
| 10 | Seal, Window Channel, RH | 92 74 275 | 1 | >1989 |
| 10 | Seal, Window Channel, LH | 41 71 914 | 1 | 1990> |
| 10 | Seal, Window Channel, RH | 41 71 906 | 1 | 1990> |
| 11 | Seal, Door Frame, Front | 92 77 278 | 1 | |



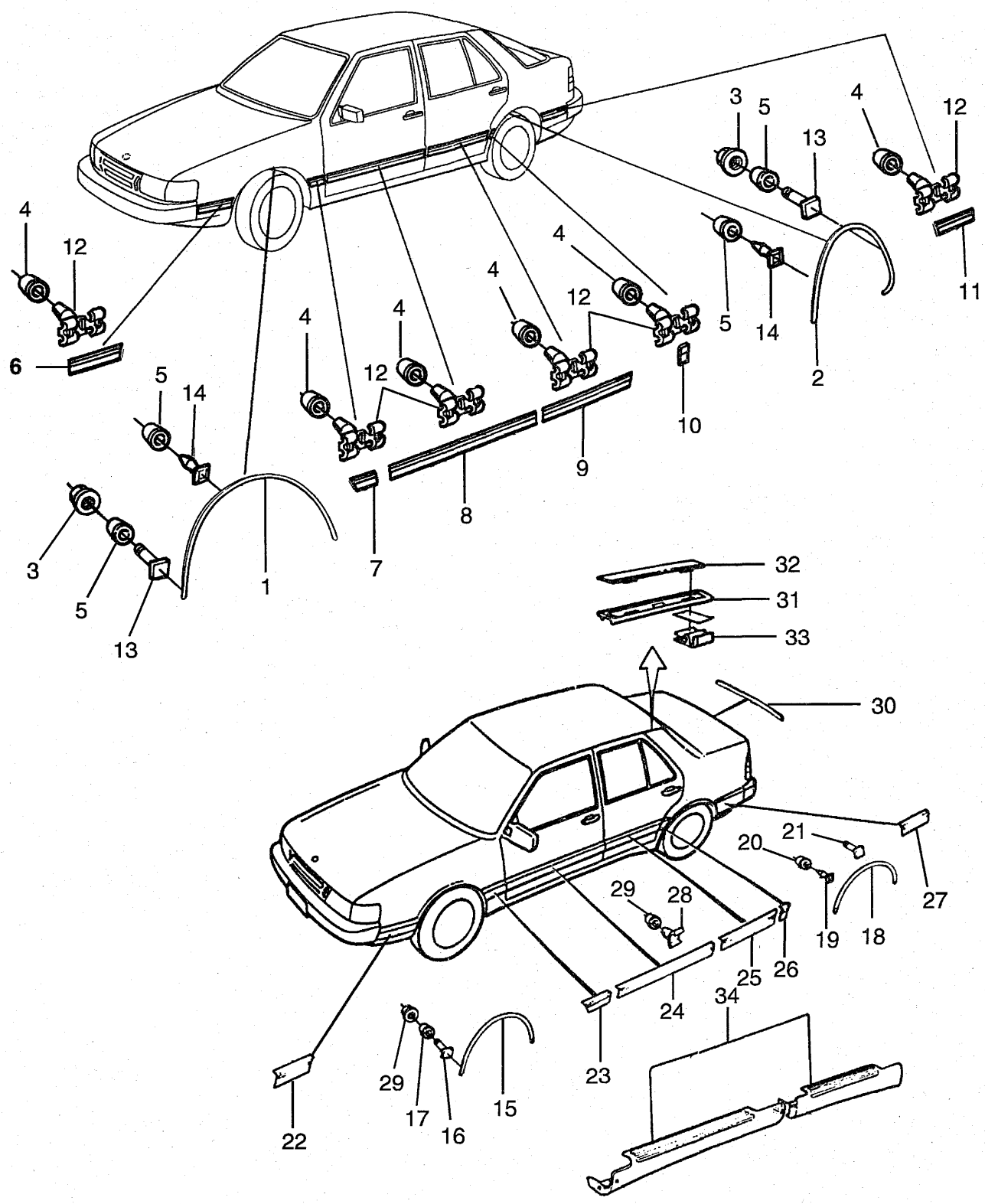
Body

Door And Side Windows

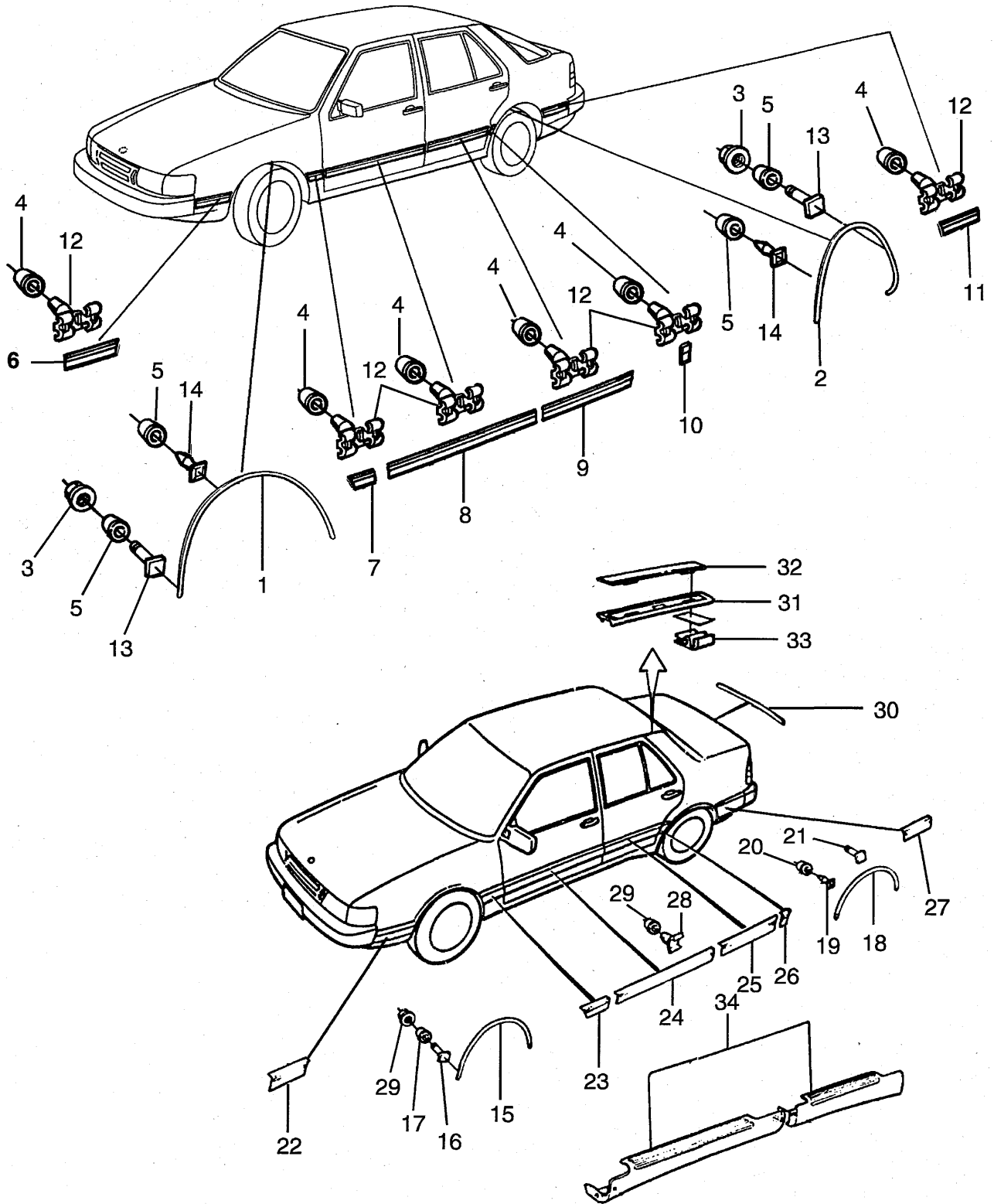
| KEY | DESCRIPTION | PART NUMBER | QTY. | NOTES |
|-----|----------------------------------|-------------|------|---|
| 12 | Clip | 92 68 616 | 36 | |
| 13 | Screw | 69 56 601 | | |
| 14 | Door Frame Assembly, Rear, LH | 92 61 157 | 1 | >1993 |
| 14 | Door Frame Assembly, Rear, RH | 92 61 140 | 1 | >1993 |
| 14 | Door Frame Assembly, Rear, LH | 69 92 655 | 1 | 1994> |
| 14 | Door Frame Assembly, Rear, RH | 69 92 648 | 1 | 1994> |
| 15 | Moulding, Rear Door, LH | 92 62 320 | 1 | VIN >K1019557, >K2011148, >K8001090 Black & Chrome |
| 15 | Moulding, Rear Door, RH | 92 62 338 | 1 | VIN >K1019557, >K2011148, >K8001090 Black & Chrome |
| 15 | Moulding, Rear Door, LH | 40 14 288 | 1 | VIN K101955>, K2011149>, K800109>1991 |
| 15 | Moulding, Rear Door, RH | 40 14 296 | 1 | VIN K101955>, K2011149>, K800109>1991 |
| 15 | Moulding, Rear Door, LH | 43 03 632 | 1 | 1992-93 |
| 15 | Moulding, Rear Door, RH | 43 03 624 | 1 | 1992-93 |
| 15 | Moulding, Rear Door, LH | 40 14 262 | 1 | >1991 Black |
| 15 | Moulding, Rear Door, RH | 40 14 270 | 1 | >1991 Black |
| 15 | Moulding, Rear Door, LH | 43 03 616 | 1 | 1992> Black |
| 15 | Moulding, Rear Door, RH | 43 03 608 | 1 | 1992> Back |
| 16 | Seal, Window Channel, Rear, LH | 92 74 325 | 1 | >1989 |
| 16 | Seal, Window Channel, Rear, RH | 92 74 333 | 1 | >1989 |
| 16 | Seal, Window Channel, Rear, LH | 41 71 930 | 1 | 1990> |
| 16 | Seal, Window Channel, Rear, RH | 41 71 922 | 1 | 1990> |
| 17 | Seal, Door Frame, Rear | 92 77 286 | 1 | 1986> |
| 18 | Seal, Fixed Door Window, LH | 92 60 001 | 1 | >1991 |
| 18 | Seal, Fixed Door Window, RH | 92 60 019 | 1 | >1991 |
| 19 | Clip | 92 68 558 | 2 | >1989 |
| 19 | Clip | 92 63 591 | 2 | 1990-93 |
| 20 | Moulding, Side Window, LH, Lower | 92 74 895 | 1 | 5D |
| 20 | Moulding, Side Window, RH, Lower | 92 74 903 | 1 | 5D |
| 21 | Moulding, Side Window, LH, Upper | 92 62 130 | 1 | 5D VIN >G1001418 |
| 21 | Moulding, Side Window, RH, Upper | 92 62 122 | 1 | 5D VIN >G1001418 |
| 21 | Moulding, Side Window, LH, Upper | 92 77 294 | 1 | 5D VIN G1001419> |
| 21 | Moulding, Side Window, RH, Upper | 92 77 302 | 1 | 5D VIN G1001419> |
| 22 | Screw | 79 70 601 | 8 | 5D >1989 Requires 79 75 261 |
| 22 | Screw | 79 70 601 | 8 | 5D 1990> |
| 23 | Washer | 92 30 293 | 8 | 1988> 5D |
| 24 | Screw | 79 70 601 | 2 | 5D 1989> |
| 25 | Press Nut | 79 75 261 | 2 | 5D 1989> |



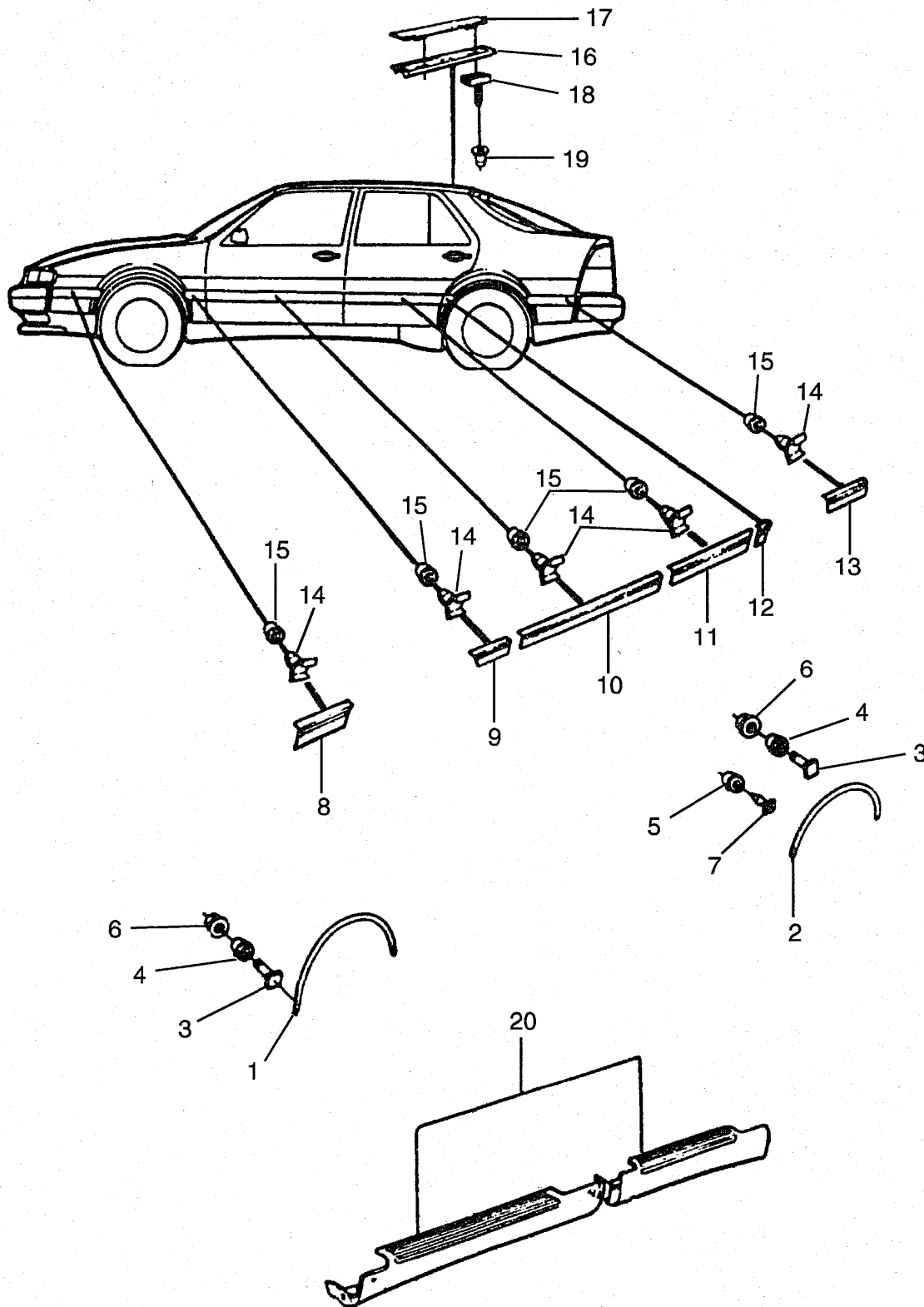
| KEY | DESCRIPTION | PART NUMBER | QTY. | NOTES |
|-----|-----------------------------------|-------------|------|-----------------|
| 1 | Moulding, Front Fender, LH | 92 57 965 | 1 | 5D >1990 |
| 1 | Moulding, Front Fender, RH | 92 57 957 | 1 | 5D >1990 |
| 1 | Moulding, Front Fender, LH | 44 84 275 | 1 | 5D 1991> |
| 1 | Moulding, Front Fender, RH | 44 84 267 | 1 | 5D 1991> |
| 1 | Moulding, Fender Flare, LH | 69 93 174 | 1 | 1991 T16SB |
| 1 | Moulding, Fender Flare, RH | 69 93 182 | 1 | 1991 T16SB |
| 2 | Moulding, Valance, LH | 92 58 237 | 1 | 5D >1991 |
| 2 | Moulding, Valance, RH | 92 58 229 | 1 | 5D >1991 |
| 2 | Moulding, Valance, LH | 44 84 291 | 1 | 5D 1992> |
| 2 | Moulding, Valance, RH | 44 84 283 | 1 | 5D 1992> |
| 2 | Moulding, Fender Flare, LH | 69 93 190 | 1 | 1991 T16SB |
| 2 | Moulding, Fender Flare, RH | 69 93 208 | 1 | 1991 T16SB |
| 3 | Nut | 73 98 423 | 14 | >1986 >J1024929 |
| 3 | Nut | 73 99 488 | 22 | 1987> |
| 4 | Bushing | 73 73 269 | X | |
| 5 | Bushing | 92 78 151 | X | |
| 6 | Moulding, Front Fender, Front, LH | 92 55 266 | 1 | 5D |
| 6 | Moulding, Front Fender, Front, RH | 92 55 274 | 1 | 5D |
| 6 | Moulding, Front Fender, Front, LH | 69 92 663 | 1 | 5D Black 1991> |
| 6 | Moulding, Front Fender, Front, RH | 69 92 671 | 1 | 5D Black 1991> |
| 7 | Moulding, Front Fender, Rear, LH | 92 55 282 | 1 | 5D |
| 7 | Moulding, Front Fender, Rear, RH | 92 55 290 | 1 | 5D |
| 7 | Moulding, Front Fender, Rear, LH | 69 92 705 | 1 | 5D Black 1991> |
| 7 | Moulding, Front Fender, Rear, RH | 69 92 713 | 1 | 5D Black 1991> |
| 8 | Moulding, Front Door, LH | 92 55 308 | 1 | 5D |
| 8 | Moulding, Front Door, RH | 92 55 316 | 1 | 5D |
| 8 | Moulding, Front Door, LH | 69 92 705 | 1 | 5D Black 1991> |
| 8 | Moulding, Front Door, RH | 69 92 713 | 1 | 5D Black 1991> |
| 9 | Moulding, Rear Door, LH | 92 55 324 | 1 | 5D |
| 9 | Moulding, Rear Door, RH | 92 55 332 | 1 | 5D |
| 9 | Moulding, Rear Door, LH | 69 92 721 | 1 | 5D Black 1991> |
| 9 | Moulding, Rear Door, RH | 69 92 739 | 1 | 5D Black 1991> |
| 10 | Moulding, Valance, Front, LH | 92 55 340 | 1 | 5D |
| 10 | Moulding, Valance, Front, RH | 92 55 357 | 1 | 5D |
| 10 | Moulding, Valance, Front, LH | 69 92 747 | 1 | 5D Black 1991> |
| 10 | Moulding, Valance, Front, RH | 69 92 754 | 1 | 5D Black 1991> |
| 11 | Moulding, Valance, Rear, LH | 42 54 207 | 1 | 5D |
| 11 | Moulding, Valance, Rear, RH | 42 54 215 | 1 | 5D |



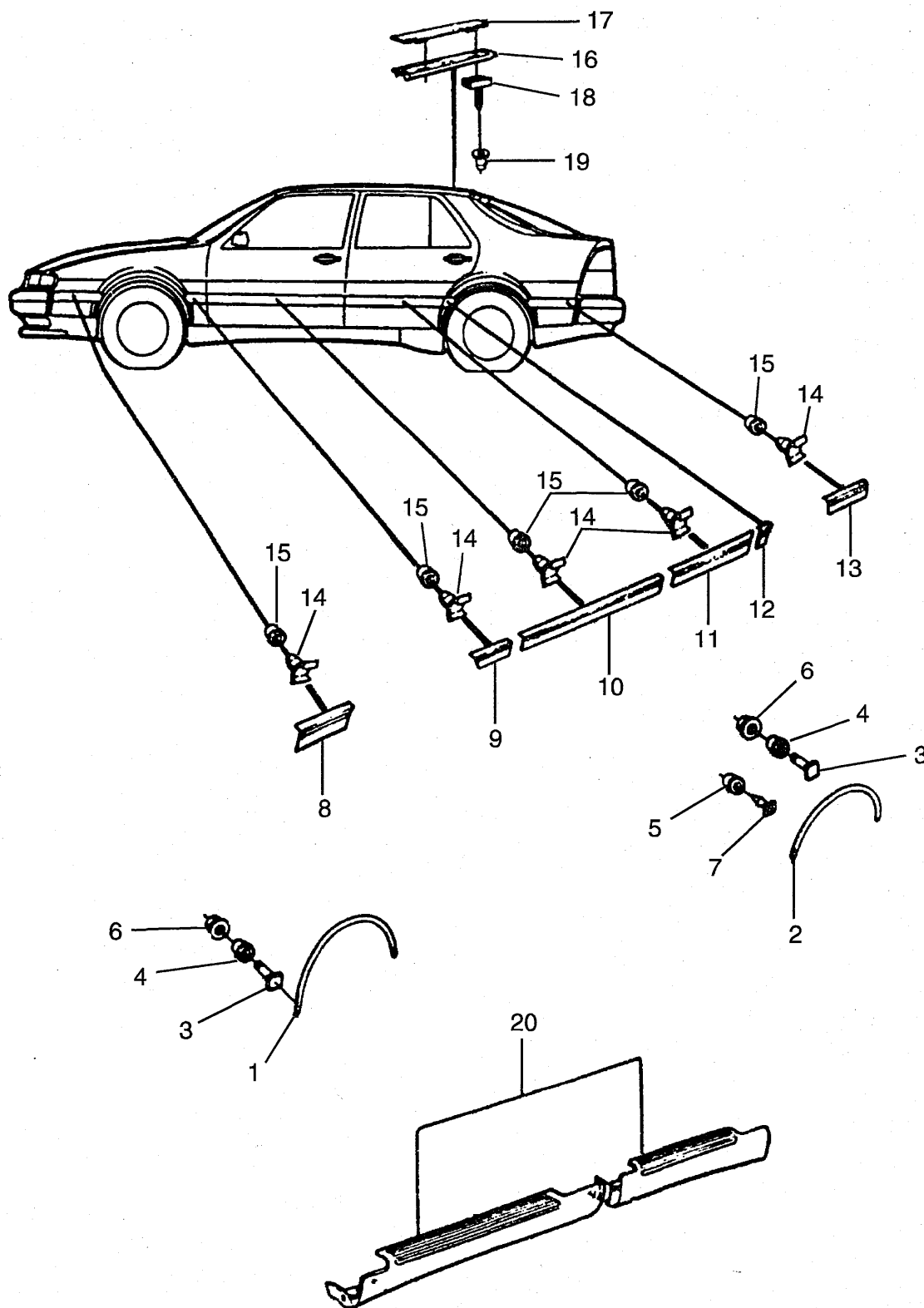
| KEY | DESCRIPTION | PART NUMBER | QTY. | NOTES |
|-----|-----------------------------------|-------------|------|---------------------------------------|
| 11 | Moulding, Valance, Rear, LH | 69 92 762 | 1 | 5D Black 1991> |
| 11 | Moulding, Valance, Rear, RH | 69 92 770 | 1 | 5D Black 1991> |
| 12 | Clip | 92 66 651 | X | 5D Included With Moulding |
| 13 | Screw | 73 99 470 | 22 | 5D |
| 14 | Clip | 92 53 329 | X | |
| 15 | Moulding, Front Fender, LH | 92 57 965 | 1 | 4D >1990 |
| 15 | Moulding, Front Fender, RH | 92 57 957 | 1 | 4D >1990 |
| 15 | Moulding, Front Fender, LH | 44 84 275 | 1 | 4D 1991> |
| 15 | Moulding, Front Fender, RH | 44 84 267 | 1 | 4D 1991> |
| 15 | Moulding, Front Fender, LH | 90 89 632 | 1 | 4D 1995> |
| 15 | Moulding, Front Fender, RH | 90 89 624 | 1 | 4D 1995> |
| 15 | Fender Flare, LH | 86 75 001 | 1 | 4D 1995 Black Metallic |
| 15 | Fender Flare, RH | 86 75 019 | 1 | 4D 1995 Black Metallic |
| | Nut | 79 77 903 | 14 | For Fender Flare |
| | Rubber Moulding | 86 75 043 | 2 | For Fender Flare |
| 16 | Screw | 73 98 365 | 16 | >1989 |
| 16 | Screw | 73 99 470 | 16 | 1990> |
| | | | | Included With Moulding 1994> |
| 17 | Bushing | 73 73 269 | X | >1994 |
| 17 | Bushing | 92 78 151 | X | 1995> |
| 18 | Moulding, Valance, LH | 92 58 237 | 1 | 4D >1991 |
| 18 | Moulding, Valance, RH | 92 58 229 | 1 | 4D >1991 |
| 18 | Moulding, Valance, LH | 44 84 291 | 1 | 4D 1992> |
| 18 | Moulding, Valance, RH | 44 84 283 | 1 | 4D 1992> |
| 19 | Clip | 92 53 329 | X | Included With Moulding 1994> |
| 20 | Bushing | 92 78 151 | X | >1994 |
| 20 | Bushing | 73 73 269 | X | 1995> |
| 21 | Screw | 73 98 365 | 6 | >1989 |
| 21 | Screw | 73 99 470 | 6 | 1990> Included With Moulding 1994> |
| 22 | Moulding, Front Fender, Front, LH | 92 78 177 | 1 | 4D >1994 |
| 22 | Moulding, Front Fender, Front, RH | 92 78 185 | 1 | 4D >1994 |
| 22 | Moulding, Front Fender, Front, LH | 90 88 550 | 1 | 4D 1995> |
| 22 | Moulding, Front Fender, Front, RH | 90 88 543 | 1 | 4D 1995> |
| 23 | Moulding, Front Fender, Rear, LH | 92 78 193 | 1 | 4D >1994 |
| 23 | Moulding, Front Fender, Rear, RH | 92 78 201 | 1 | 4D >1994 |
| 23 | Moulding, Front Fender, Rear, LH | 90 83 254 | 1 | 4D 1995> |
| 23 | Moulding, Front Fender, Rear, RH | 90 83 247 | 1 | 4D 1995> |



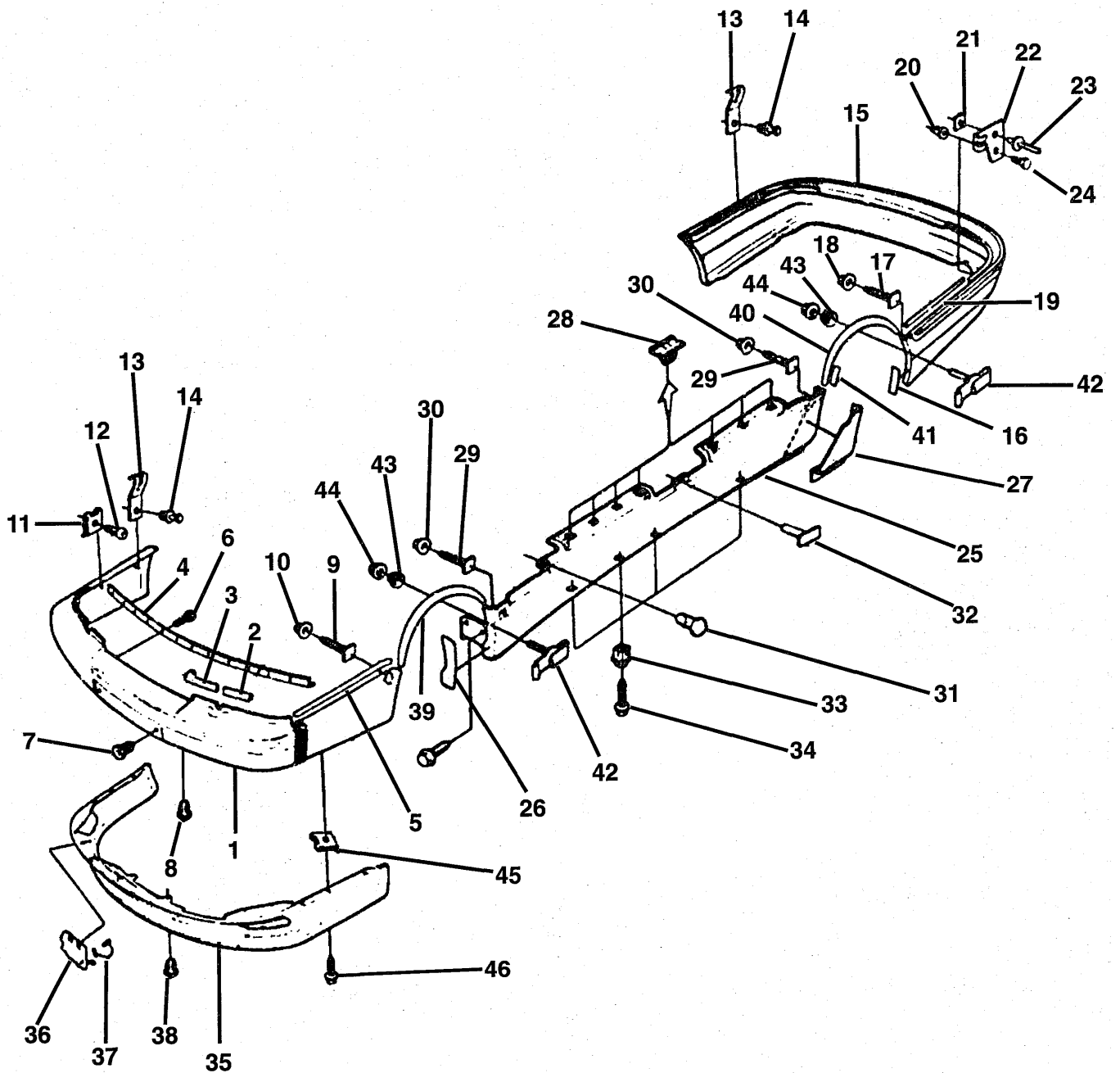
| KEY | DESCRIPTION | PART NUMBER | QTY. | NOTES |
|-----|------------------------------|-------------|------|---------------------------------|
| 24 | Moulding, Front Door, LH | 92 78 219 | 1 | 4D >1994 |
| 24 | Moulding, Front Door, RH | 92 78 227 | 1 | 4D >1994 |
| 24 | Moulding, Front Door, LH | 90 83 098 | 1 | 4D 1995> |
| 24 | Moulding, Front Door, RH | 90 83 080 | 1 | 4D 1995> |
| 25 | Moulding, Rear Door, LH | 92 78 235 | 1 | 4D >1994 |
| 25 | Moulding, Rear Door, RH | 92 78 243 | 1 | 4D >1994 |
| 25 | Moulding, Rear Door, LH | 90 83 130 | 1 | 4D 1995> |
| 25 | Moulding, Rear Door, RH | 90 83 122 | 1 | 4D 1995> |
| 26 | Moulding, Valance, Front, LH | 92 78 250 | 1 | 4D >1994 |
| 26 | Moulding, Valance, Front, RH | 92 78 268 | 1 | 4D >1994 |
| 26 | Moulding, Valance, Front, LH | 43 43 976 | 1 | 4D 1995> |
| 26 | Moulding, Valance, Front, RH | 43 43 968 | 1 | 4D 1995> |
| 27 | Moulding, Valance, Rear, LH | 69 54 176 | 1 | 4D >1994 |
| 27 | Moulding, Valance, Rear, RH | 69 54 184 | 1 | 4D >1994 |
| 27 | Moulding, Valance, Rear, LH | 43 43 190 | 1 | 4D 1995> |
| 27 | Moulding, Valance, Rear, RH | 43 43 182 | 1 | 4D 1995> |
| 28 | Clip | 69 91 079 | X | 4D >1994 Included With Moulding |
| 28 | Clip | 90 83 312 | X | 4D 1995> Included With Moulding |
| 29 | Bushing | 73 73 269 | X | Included With Moulding |
| 30 | Moulding, Rear | 69 59 100 | 1 | 4D>1993 |
| 31 | Moulding, Rear Quarter, LH | 92 77 336 | 1 | 4D |
| 31 | Moulding, Rear Quarter, RH | 92 77 344 | 1 | 4D |
| 32 | Moulding, Rear Quarter, LH | 46 74 016 | 1 | 4D >1994 |
| 32 | Moulding, Rear Quarter, RH | 46 74 008 | 1 | 4D >1994 |
| 32 | Moulding, Rear Quarter, LH | 46 74 016 | 1 | 4D 1995> |
| 32 | Moulding, Rear Quarter, RH | 46 74 008 | 1 | 4D 1995> |
| 33 | Clip | 92 69 697 | 4 | 4D |
| 34 | Kit, Sill Protection, LH | 82 84 705 | 1 | 4D 1991> |
| 34 | Kit, Sill Protection, RH | 82 84 713 | 1 | 4D 1991> |



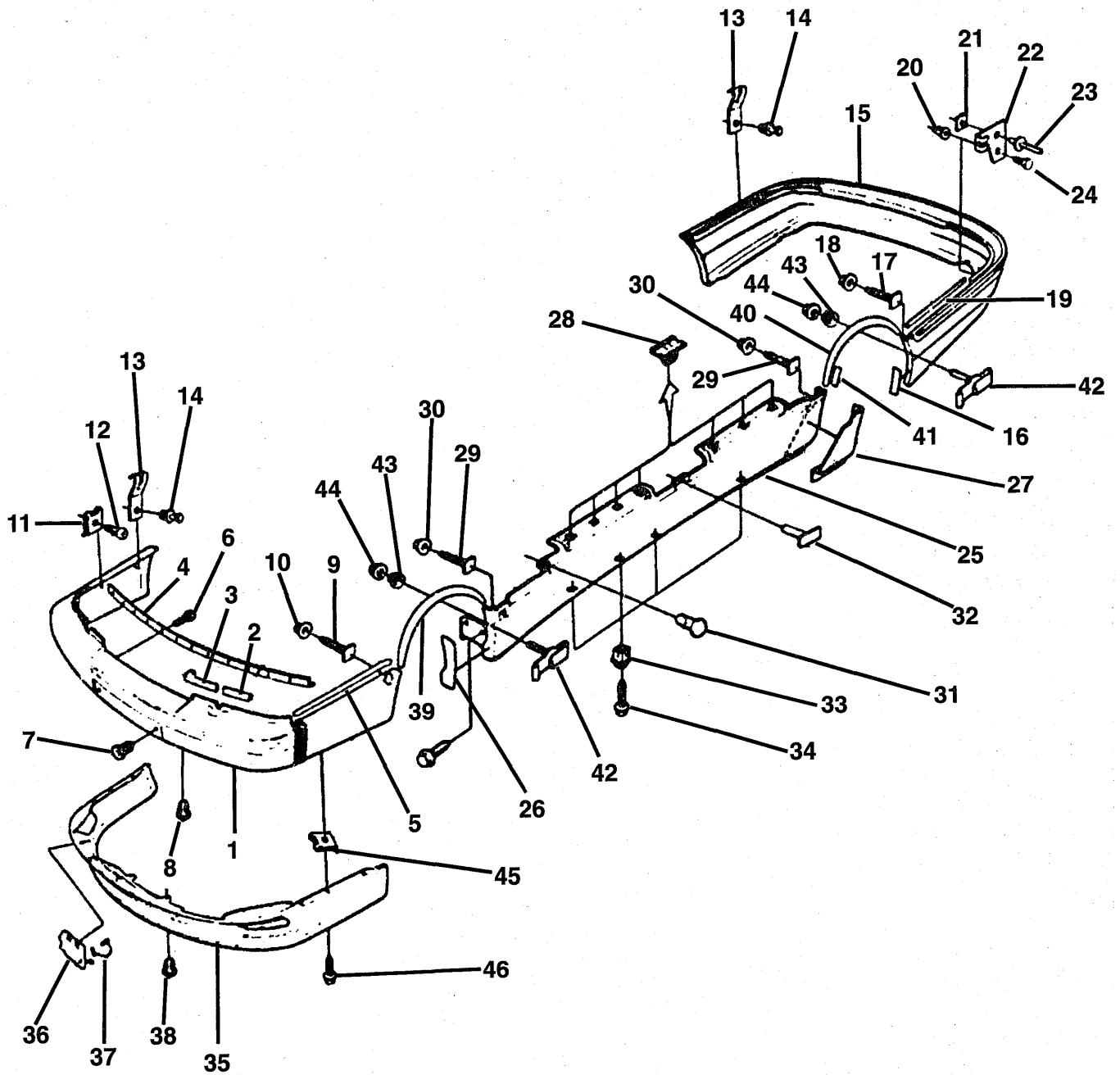
| KEY | DESCRIPTION | PART NUMBER | QTY. | NOTES |
|-----|-----------------------------------|-------------|------|------------------------|
| 1 | Moulding, Front Fender, LH | 90 89 632 | 1 | |
| 1 | Moulding, Front Fender, RH | 90 89 624 | 1 | |
| 1 | Fender Flare, Front, LH | 86 75 001 | 1 | 1994-95 Black Metallic |
| 1 | Fender Flare, Front, RH | 86 75 019 | 1 | 1994-95 Black Metallic |
| | Nut | 79 77 903 | 14 | For Fender Flare |
| | Rubber Moulding | 86 75 043 | 2 | For Fender Flare |
| 2 | Moulding, Rear Fender, LH | 90 89 657 | 1 | |
| 2 | Moulding, Rear Fender, RH | 90 89 640 | 1 | |
| 2 | Fender Flare, Rear, LH | 86 75 027 | 1 | 1994-95 Black Metallic |
| 2 | Fender Flare, Rear, RH | 86 75 035 | 1 | 1994-95 Black Metallic |
| | Nut | 79 77 903 | 12 | For Fender Flare |
| | Rubber Moulding | 86 75 043 | 2 | For Fender Flare |
| 3 | Screw | 73 99 470 | X | Included With Moulding |
| 4 | Bushing | 92 78 151 | 14 | |
| 5 | Bushing | 73 73 269 | X | |
| 6 | Nut | 73 99 488 | 22 | |
| 7 | Clip | 92 53 329 | 8 | Included With Moulding |
| 8 | Moulding, Front Fender, Front, LH | 90 88 550 | 1 | |
| 8 | Moulding, Front Fender, Front, RH | 90 88 543 | 1 | |
| 9 | Moulding, Front Fender, Rear, LH | 90 83 254 | 1 | |
| 9 | Moulding, Front Fender, Rear, RH | 90 83 247 | 1 | |
| 9 | Moulding, Front Fender, Rear, LH | 43 41 830 | 1 | Aero |
| 9 | Moulding, Front Fender, Rear, RH | 43 41 848 | 1 | Aero |
| 10 | Moulding, Front Door, LH | 90 83 098 | 1 | |
| 10 | Moulding, Front Door, RH | 90 83 080 | 1 | |
| 10 | Moulding, Front Door, LH | 43 41 855 | 1 | Aero |
| 10 | Moulding, Front Door, RH | 43 41 863 | 1 | Aero |
| 11 | Moulding, Rear Door, LH | 90 83 130 | 1 | |
| 11 | Moulding, Rear Door, RH | 90 83 122 | 1 | |
| 11 | Moulding, Rear Door, LH | 43 41 871 | 1 | Aero |
| 11 | Moulding, Rear Door, RH | 43 41 889 | 1 | Aero |
| 12 | Moulding, Rear Fender, Front, LH | 90 83 213 | 1 | |
| 12 | Moulding, Rear Fender, Front, RH | 90 83 205 | 1 | |
| 12 | Moulding, Rear Fender, Front, LH | 43 41 897 | 1 | Aero |
| 12 | Moulding, Rear Fender, Front, RH | 43 41 905 | 1 | Aero |
| 13 | Moulding, Rear Fender, Rear, LH | 90 83 171 | 1 | |
| 13 | Moulding, Rear Fender, Rear, RH | 90 83 163 | 1 | |
| 14 | Clip | 90 83 312 | X | Included With Moulding |
| 15 | Bushing | 73 73 269 | X | |



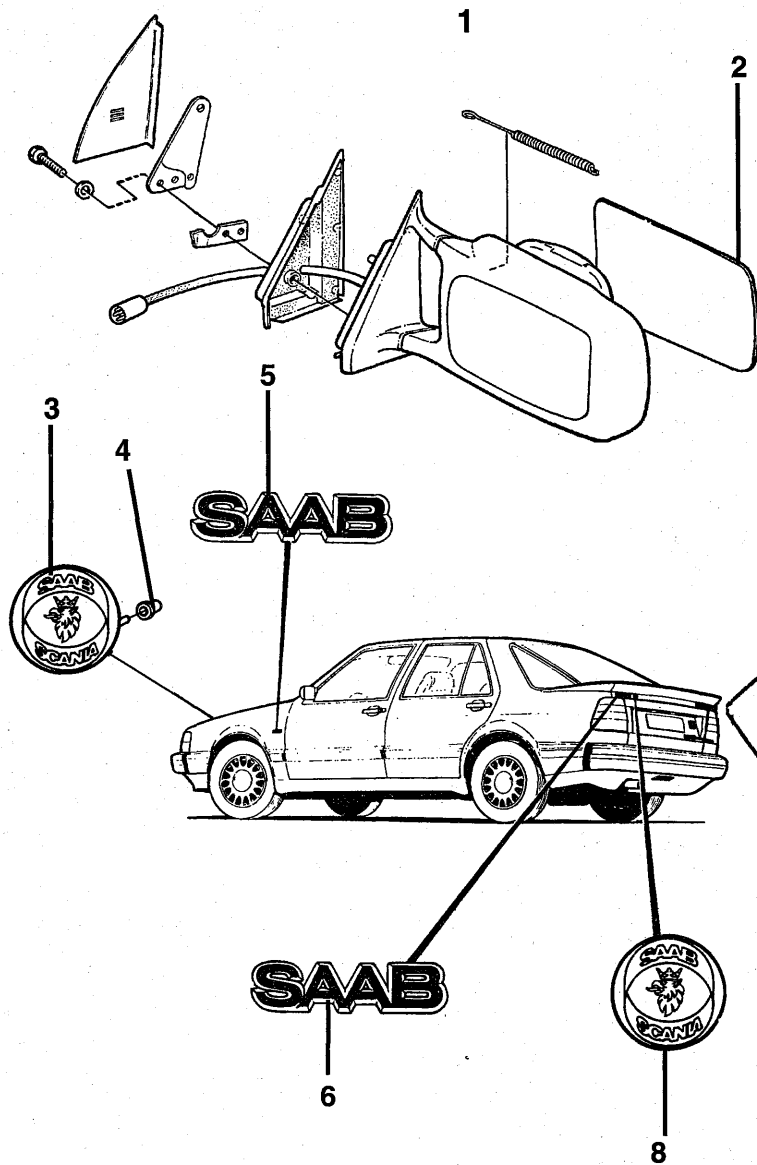
| KEY | DESCRIPTION | PART NUMBER | QTY. | NOTES |
|-----|----------------------------|-------------|------|-------|
| 16 | Moulding, Rear Quarter, LH | 43 80 416 | 1 | |
| 16 | Moulding, Rear Quarter, RH | 43 80 424 | 1 | |
| 17 | Moulding, Rear Quarter, LH | 46 74 032 | 1 | |
| 17 | Moulding, Rear Quarter, RH | 46 74 024 | 1 | |
| 18 | Clip | 90 87 560 | 6 | |
| 19 | Bushing | 40 96 616 | 6 | |
| 20 | Kit, Sill Protection, LH | 82 84 705 | 1 | |
| 20 | Kit, Sill Protection, RH | 82 84 713 | 1 | |



| KEY | DESCRIPTION | PART NUMBER | QTY. | NOTES |
|-----|-------------------------|-------------|------|------------------------|
| 1 | Outer Casing, Front | 44 35 178 | 1 | Replaces Bumper Casing |
| 2 | Seal | 43 80 036 | 2 | |
| 3 | Seal, LH | 40 96 756 | 1 | |
| 3 | Seal, RH | 40 96 749 | 1 | |
| 4 | Attaching Rail | 90 81 282 | 1 | |
| 5 | Sealing Strip, LH | 44 47 611 | 1 | VIN >S1008599 |
| 5 | Sealing Strip, RH | 44 47 603 | 1 | VIN >S1008599 |
| 5 | Sealing Strip, LH | 44 84 796 | 1 | VIN S1008600> |
| 5 | Sealing Strip, RH | 44 84 788 | 1 | VIN S1008600> |
| 6 | Screw | 44 46 290 | 24 | |
| 7 | Nut | 90 87 040 | 4 | |
| 8 | Nut | 92 88 846 | 7 | |
| 9 | Screw | 69 59 464 | 2 | VIN >S1008599 |
| 9 | Screw | 40 87 151 | 2 | VIN S1008600> |
| 10 | Nut | 73 99 488 | 2 | |
| 11 | Clip | 79 77 523 | 2 | |
| 12 | Screw | 79 78 638 | 2 | |
| 13 | Spring Clip | 43 42 275 | 6 | VIN >S1008599 |
| 13 | Spring Clip | 40 90 197 | 6 | VIN S1008600> |
| 14 | Rivet | 86 67 479 | 6 | VIN >S1008599 |
| 14 | Bushing | 73 73 269 | 6 | VIN S1008600> |
| 15 | Outer Casing, Rear, Kit | 82 85 413 | 1 | Replaces Bumper Casing |
| 16 | Protective Foil, LH | 86 67 214 | 1 | |
| 16 | Protective Foil, RH | 86 67 206 | 1 | |
| 17 | Screw | 40 87 151 | 4 | |
| 18 | Nut | 73 99 488 | 4 | |
| 19 | Sealing Strip, LH | 44 47 637 | 1 | VIN >S1008599 |
| 19 | Sealing Strip, RH | 44 47 629 | 1 | VIN >S1008599 |
| 19 | Sealing Strip, LH | 44 84 796 | 1 | VIN S1008600> |
| 19 | Sealing Strip, RH | 44 84 788 | 1 | VIN S1008600> |
| 20 | Bushing | 69 11 804 | 6 | |
| 21 | Washer | 92 30 293 | 2 | |
| 22 | Attaching Bracket, LH | 44 48 874 | 1 | |
| 22 | Attaching Bracket, RH | 44 48 866 | 1 | |
| 23 | Rivet | 98 49 514 | 2 | |
| 24 | Screw | 79 78 638 | 2 | |
| 25 | Sill Cover, Kit, LH | 82 85 439 | 1 | Includes Items 26 & 27 |
| 25 | Sill Cover, Kit, RH | 82 85 421 | 1 | Includes Items 26 & 27 |

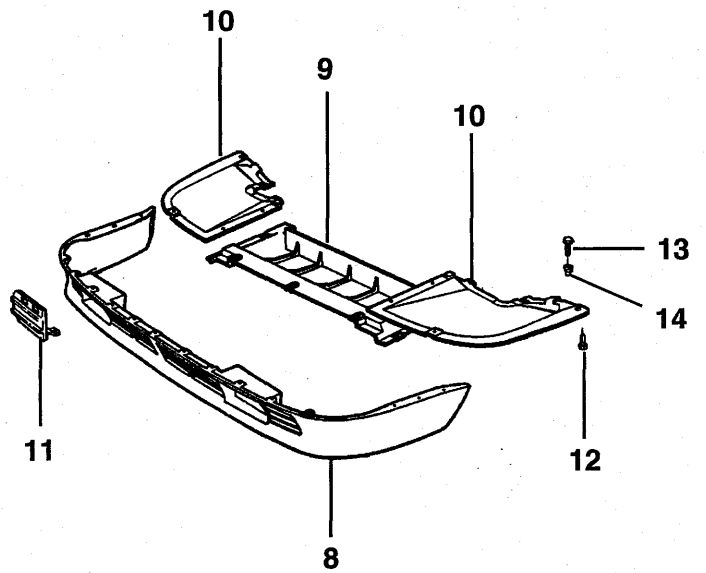
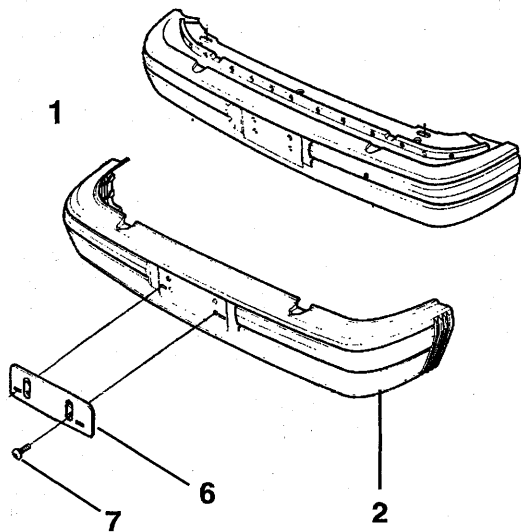
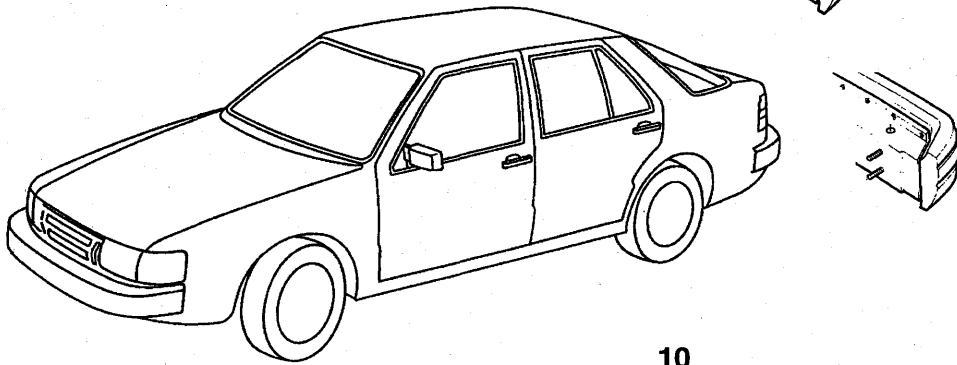
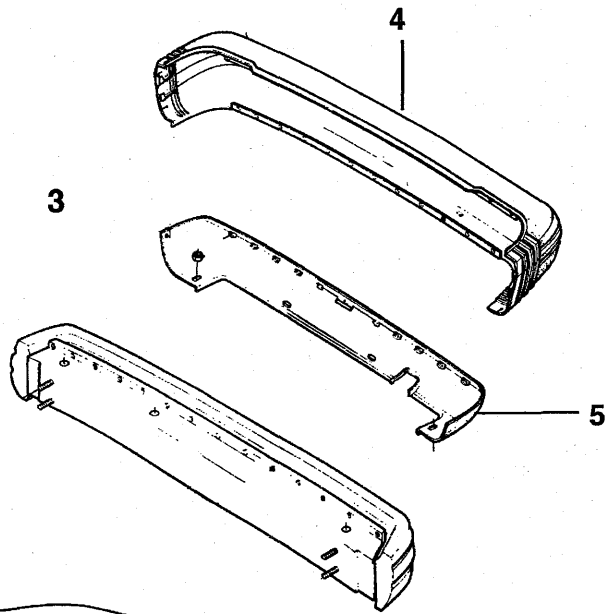
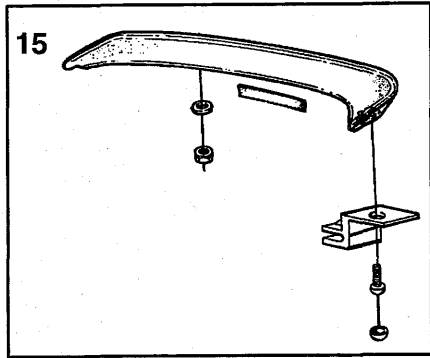


| KEY | DESCRIPTION | PART NUMBER | QTY. | NOTES |
|-----|------------------------------|-------------|------|---------------------------------|
| 26 | Protective Foil, Front, LH | 44 47 124 | 1 | |
| 26 | Protective Foil, Front, RH | 47 47 116 | 1 | |
| 27 | Protective Foil, Rear, LH | 86 62 843 | 1 | |
| 27 | Protective Foil, Rear, RH | 86 62 835 | 1 | |
| 28 | Clamp | 41 02 000 | 14 | |
| 29 | Screw | 69 59 464 | 4 | |
| 30 | Nut | 73 99 488 | 4 | |
| 31 | Clip | 96 68 153 | 2 | |
| 32 | Expanding Rivet | 44 47 967 | 2 | |
| 33 | Nut | 40 08 504 | 12 | |
| 34 | Screw | 79 82 325 | 14 | |
| 35 | Spoiler | 44 84 739 | 1 | |
| 36 | Cover | 43 42 283 | 1 | |
| 37 | Bracket | 69 60 926 | 1 | |
| 38 | Nut | 90 87 040 | 2 | |
| 39 | Fender Flare, Front, Kit, LH | 44 35 137 | 1 | |
| 39 | Fender Flare, Front, Kit, RH | 44 35 129 | 1 | |
| 40 | Fender Flare, Rear, Kit, LH | 82 85 447 | 1 | |
| 40 | Fender Flare, Rear, Kit, RH | 82 85 454 | 1 | |
| 41 | Protective Foil, LH | 86 63 270 | 1 | Included With Rear Fender Flare |
| 41 | Protective Foil, RH | 86 63 262 | 1 | Included With Rear Fender Flare |
| 42 | Clip | 40 90 197 | X | |
| 43 | Bushing | 92 78 151 | 14 | |
| 44 | Nut | 73 99 488 | 14 | |
| 45 | Clip | 79 77 523 | 6 | |
| 46 | Screw | 79 77 465 | 6 | |

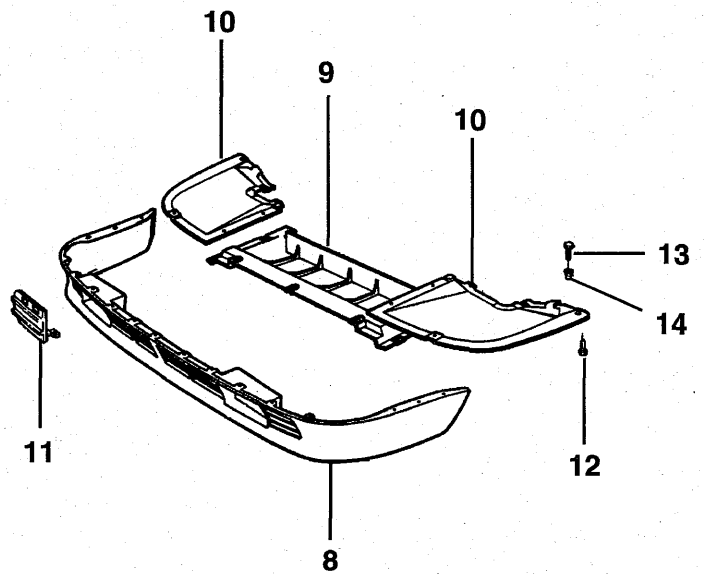
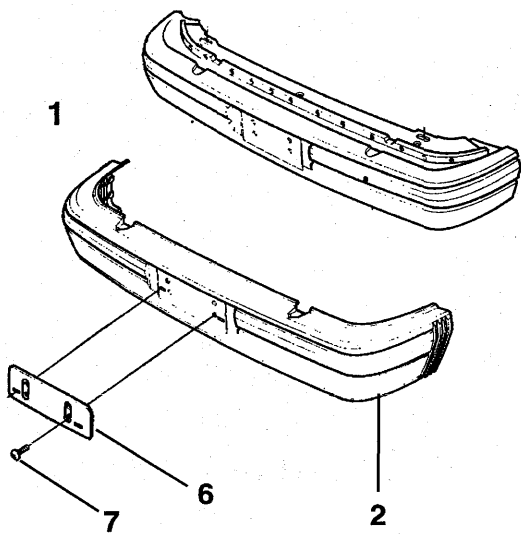
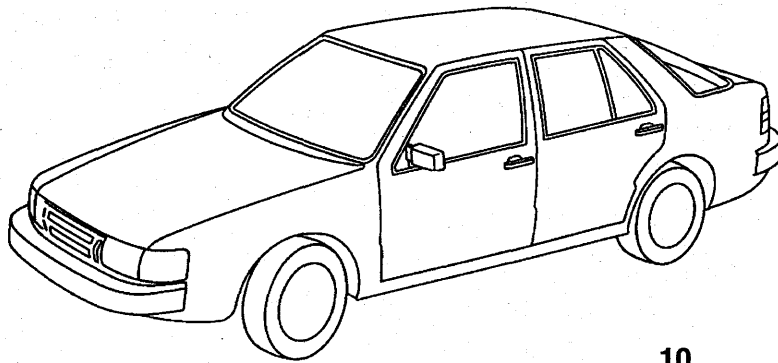
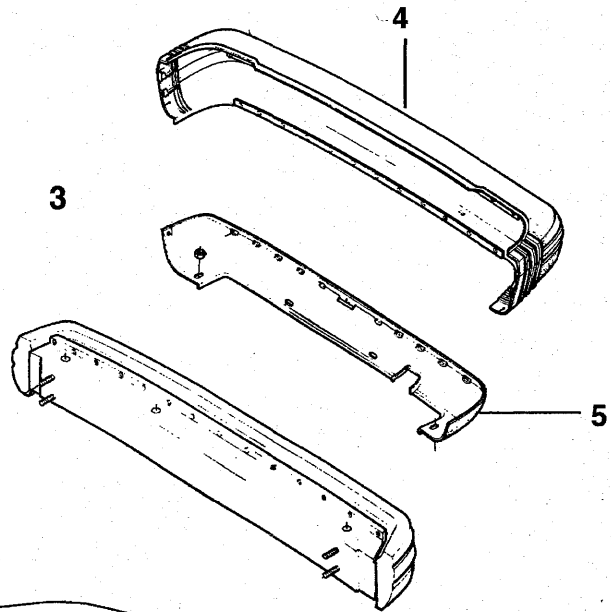
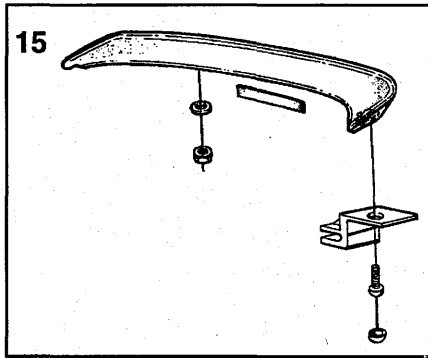


- 9000 — 9
- 9000 CS — 12
- 9000 S — 10
- 3.0 V6 — 21
- 9000 CSE — 13
- 9000 CDE — 14
- turbo — 7
- CD — 11
- griffin — 15
- Griffin — 16
- Aero — 17
- CDE — 18
- CS — 19
- CSE — 20

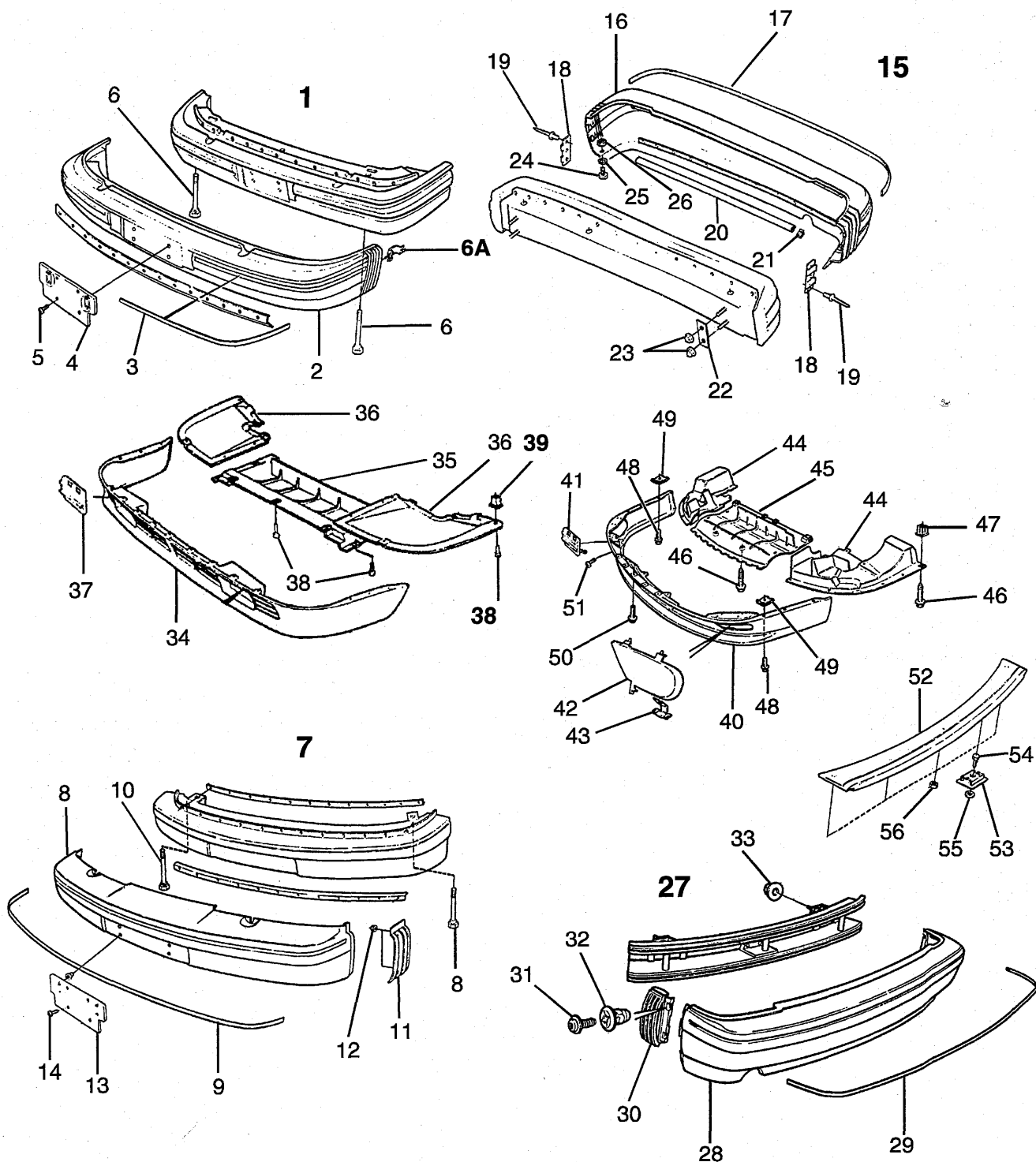
| KEY | DESCRIPTION | PART NUMBER | QTY. | NOTES |
|-----|-------------------------------|-------------|------|-------------------------------------|
| 1 | Mirror Assembly, Electric, LH | 46 84 742 | 1 | |
| 1 | Mirror Assembly, Electric, RH | 46 84 767 | 1 | |
| 2 | Glass, LH | 46 84 833 | 1 | >1990 Included With Mirror |
| 2 | Glass, RH | 46 84 858 | 1 | Included With Mirror |
| 3 | Emblem, "SAAB-SCANIA" | 45 22 884 | 1 | |
| 4 | Bushing | 69 15 706 | 2 | |
| 5 | Emblem, "SAAB" | 44 35 947 | 1 | CS |
| 5 | Emblem "SAAB" | 44 35 970 | 1 | >1995 4D |
| 5 | Emblem "SAAB" | 92 65 158 | 1 | >1992 5D |
| 6 | Emblem, "SAAB" | 92 65 018 | 1 | >1993 5D, 5CS |
| 6 | Emblem, "SAAB" | 69 63 375 | 1 | >1993 4D |
| 6 | Emblem, "SAAB" | 44 35 947 | 1 | 1994> 5CS |
| 6 | Emblem, "SAAB" | 44 35 970 | 1 | 1994> 4D |
| 7 | Emblem, "TURBO" | 92 65 059 | 1 | >1993 |
| 7 | Emblem, "TURBO" | 92 65 059 | 1 | 4D >1992 |
| 7 | Emblem, "TURBO" | 46 76 797 | 1 | 1997> |
| 8 | Emblem, "SAAB-SCANIA" | 69 63 367 | 1 | >1993 |
| 8 | Emblem, "SAAB-SCANIA" | 69 60 280 | 1 | 4D >1989 |
| 8 | Emblem, "SAAB-SCANIA" | 40 94 777 | 1 | 4D 1990> |
| 8 | Emblem, "SAAB-SCANIA" | 41 71 856 | 1 | 5CS 1994> Included With Decor Panel |
| 9 | Emblem, "9000" | 92 64 987 | 1 | >1989 |
| 9 | Emblem, "9000" | 69 63 243 | 1 | 4D >1993 |
| 9 | Emblem, "9000" | 92 65 000 | 1 | 1990-93 |
| 9 | Emblem, "9000" | 44 35 806 | 1 | 4D 1994> |
| 9 | Emblem, "9000" | 44 35 681 | 1 | 5CS 1994> |
| 10 | Emblem, "9000S" | 92 75 017 | 1 | 1987> |
| 10 | Emblem, "9000S" | 40 88 415 | 1 | 4D >1990 |
| 11 | Emblem, "CD" | 69 91 673 | 1 | 4D >1993 |
| 11 | Emblem, "CD" | 44 35 897 | 1 | 4D 1994> |
| 12 | Emblem, "9000 CS" | 42 50 676 | 1 | 5CS >1993 |
| 13 | Emblem, "9000CSE" | 44 35 392 | 1 | 5CS 1993 |
| 14 | Emblem, "9000CDE" | 44 35 368 | 1 | 4D 1993 |
| 15 | Emblem, "GRIFFIN" | 43 80 770 | 1 | >1992 |
| 16 | Emblem, "GRIFFIN" | 44 35 830 | 1 | 1994> |
| 17 | Emblem, "AERO" | 44 35 467 | 1 | 1993 |
| 17 | Emblem, "AERO" | 44 35 715 | 1 | 1994> |
| 18 | Emblem, "CDE" | 44 35 863 | 1 | 1994> |
| 19 | Emblem, "CS" | 44 35 772 | 1 | 1994> |
| 20 | Emblem, "CSE" | 44 35 749 | 1 | 1994> |
| 21 | Emblem, "3.0 V6" | 45 22 975 | 1 | 1994> |



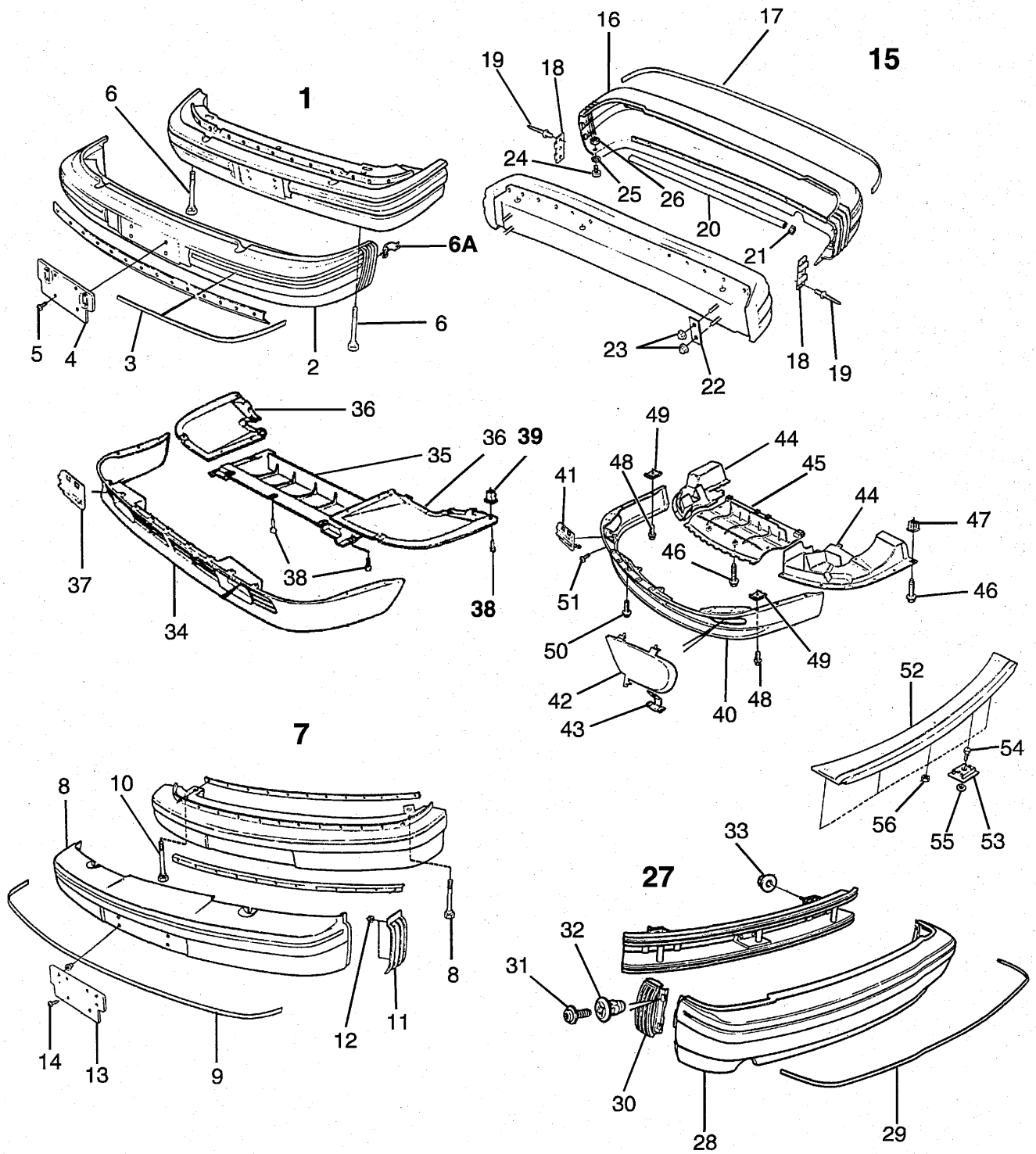
| KEY | DESCRIPTION | PART NUMBER | QTY. | NOTES |
|-----|-------------------------------|-------------|------|--|
| 1 | Bumper Assembly, Front | 69 61 924 | 1 | 4D >1989 |
| 1 | Bumper Assembly, Front | 69 54 952 | 1 | 4D 1990> |
| 1 | Bumper Assembly, Front | 40 90 825 | 1 | 5D VIN >1990 |
| 1 | Bumper Assembly, Front, Black | 40 91 302 | 1 | 5D 1991> |
| 1 | Bumper Assembly, Front, Grey | 69 91 574 | 1 | 5D 1991-92 |
| 2 | Cover | 92 78 698 | 1 | 5D 1986 Included With Bumper |
| 2 | Cover | 92 78 698 | 1 | 5D 1987> VIN >J1009049, >J2004360 Included With Bumper |
| 2 | Cover | 69 44 623 | 1 | 5D VIN J1009050>, J2004361> >1990 Included With Bumper |
| 2 | Cover, Black | 40 91 328 | 1 | 5D 1991> Included With Bumper |
| 2 | Cover, Grey | 69 93 216 | 1 | 4D 1991-92 Included With Bumper |
| 2 | Cover | 69 61 916 | 1 | 4D >1989 Included With Bumper |
| 2 | Cover | 92 77 484 | 1 | 4D 1990> Included With Bumper |
| 3 | Bumper Assembly, Rear | 92 78 730 | 1 | 1986 |
| 3 | Bumper Assembly, Rear | 69 55 256 | 1 | 1987-88 |
| 3 | Bumper Assembly, Rear | NLS | 1 | 5D >1990 Use 69 44 854, 69 44 953, 69 44 961 |
| 3 | Bumper Assembly, Rear, Black | 42 51 708 | 1 | 5D 1991> |
| 3 | Bumper Assembly, Rear, Grey | 69 44 854 | 1 | 5D 1991-92 |
| 3 | Bumper Assembly, Rear | 40 93 977 | 1 | 4D >1989 |
| 3 | Bumper Assembly, Rear | 40 93 969 | 1 | 4D 1990> |
| 4 | Cover | 92 78 706 | 1 | >1988 Included With Bumper |
| 4 | Cover | 69 44 870 | 1 | 5D 1989-90 Included With Bumper Requires 69 44 953, 69 44 961 |
| 4 | Cover, Grey | 69 44 870 | 1 | 5D 1991-92 Included With Bumper |
| 4 | Cover, Black | 42 51 716 | 1 | 5D 1991> Included With Bumper |
| 4 | Cover | 40 93 977 | 1 | 4D Included With Bumper |
| 5 | Cover Panel | 92 49 772 | 1 | >1988 Included With Bumper |
| 6 | Bracket, License Plate | 69 21 142 | 1 | |
| 7 | Screw | 79 77 390 | 4 | |
| 8 | Spoiler, Front | 92 62 759 | 1 | 5D >1990 |
| 8 | Spoiler, Front, Grey | 43 43 117 | 1 | 4D & 5D 1991> |
| 8 | Spoiler, Front, Black | 43 44 214 | 1 | 4D, 5D 1991> |
| 9 | Air Deflector | 92 68 079 | 1 | >1990, 5D |
| 9 | Air Deflector | 92 76 064 | 1 | Auto. Trans. >1990, 5D |
| 9 | Air Deflector | 40 08 884 | 1 | 4D & 5D 1991> |



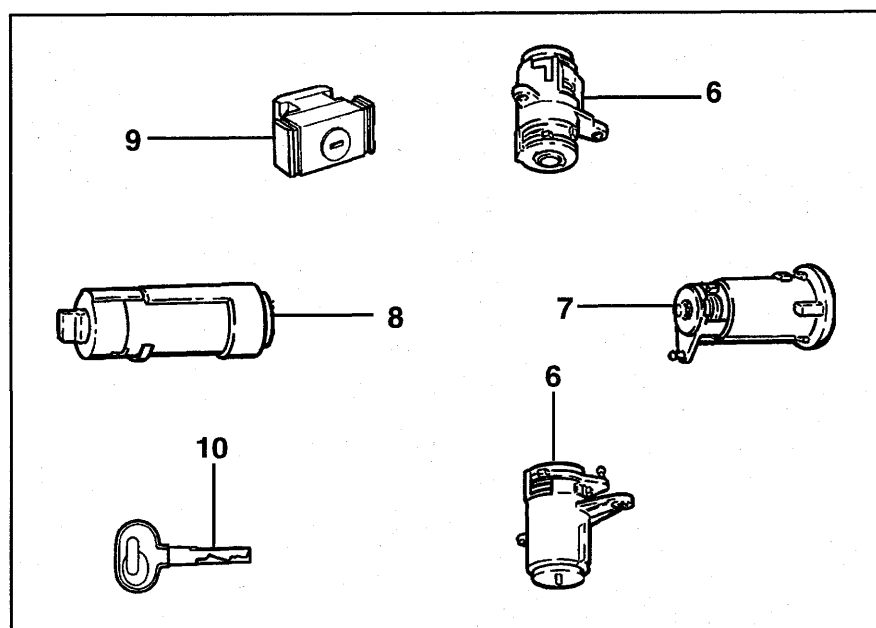
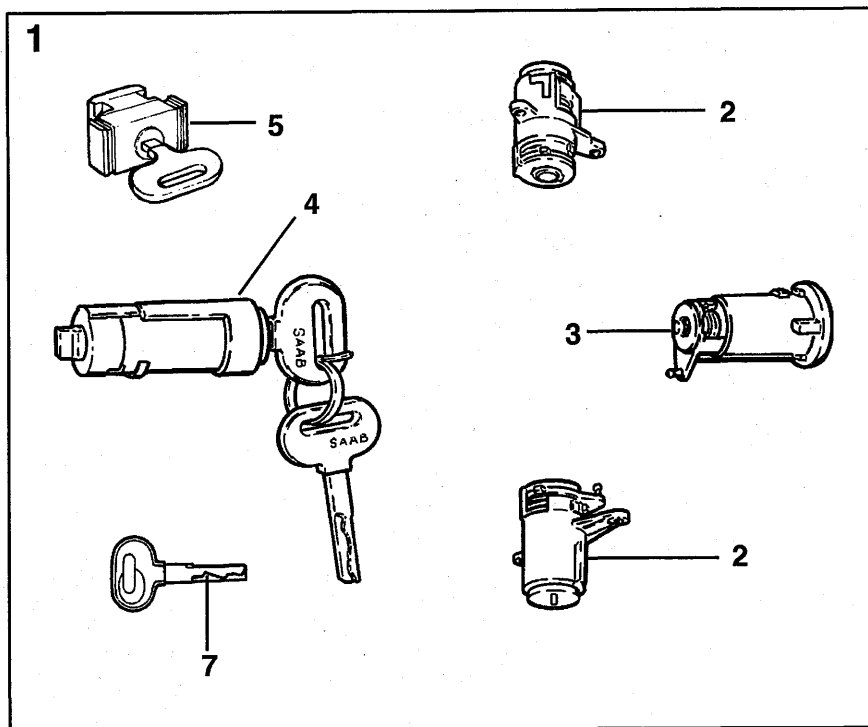
| KEY | DESCRIPTION | PART NUMBER | QTY. | NOTES |
|-----|--------------------|-------------|------|-------------------------------------|
| 10 | Air Deflector, LH | 92 67 972 | 1 | 5D >1990 |
| 10 | Air Deflector, RH | 92 67 964 | 1 | 5D >1990 |
| 10 | Air Deflector, LH | 40 08 256 | 1 | 4D & 5D 1991> |
| 10 | Air Deflector, RH | 40 08 249 | 1 | 4D & 5D 1991> |
| 11 | Cover, Grey | 69 42 429 | 2 | >1993 |
| 11 | Cover, Black | 69 58 904 | 1 | 1991> |
| 12 | Screw | 80 19 598 | 9 | VIN >N1014491 Requires 91 66 356 |
| 12 | Screw | 80 19 598 | X | VIN N1014492> |
| 13 | Screw | 79 75 774 | 4 | VIN >N1014491 |
| 14 | Press Nut | 79 75 279 | 4 | VIN >N1014491 |
| 14 | Press Nut | 79 75 774 | X | VIN N1014492> |
| 15 | Spoiler, Rear, Kit | 82 84 275 | 1 | 5D |
| | Spoiler | 69 92 838 | 1 | 5D 1990> Included In Kit |
| | Mounting Kit | 96 98 374 | 1 | >1989 Included In Kit |
| | Mounting Kit | 82 84 267 | 1 | 5D 1990> Included In Kit |



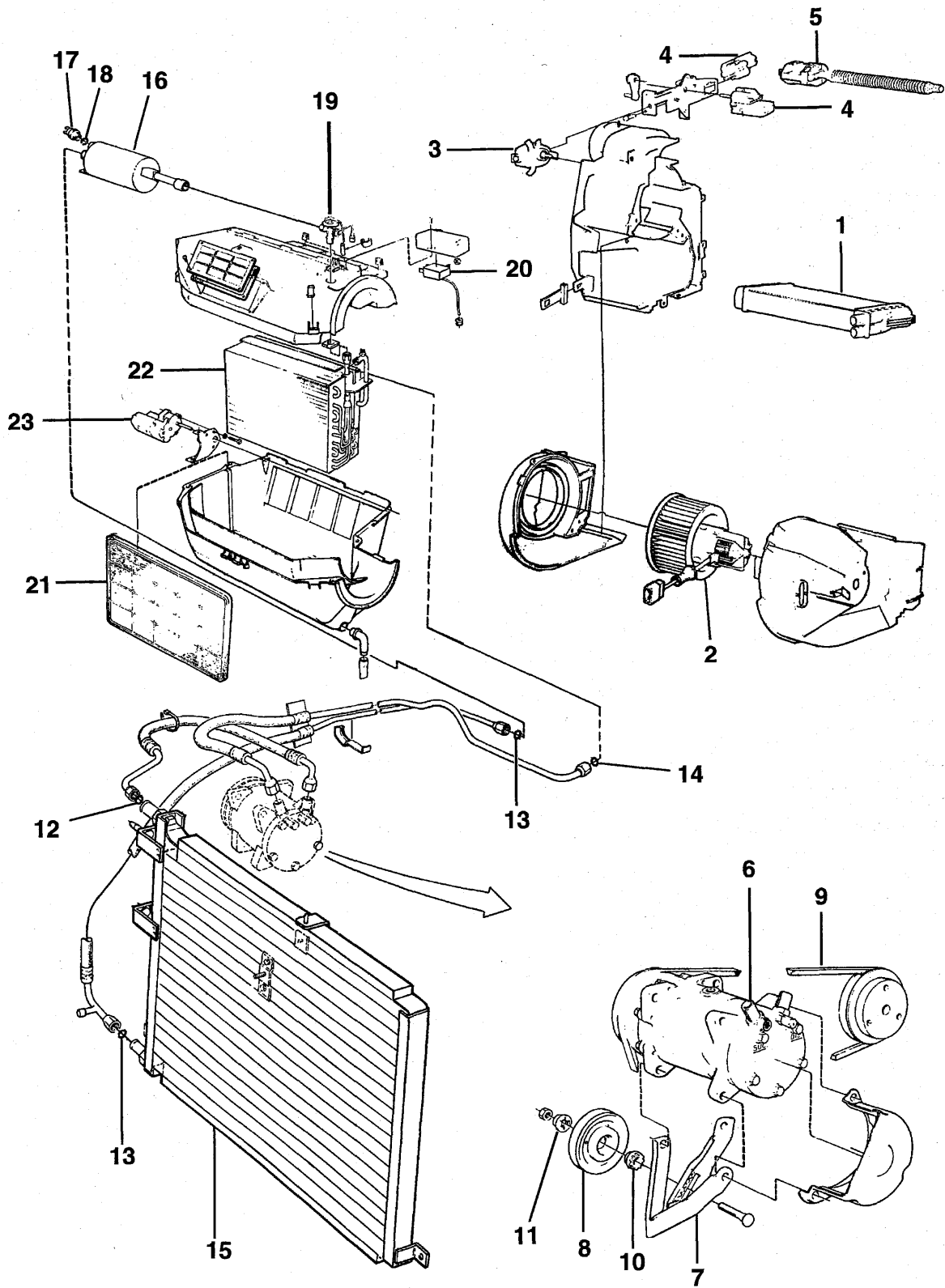
| KEY | DESCRIPTION | PART NUMBER | QTY. | NOTES |
|-----|------------------------|-------------|------|--------------------------------|
| 1 | Bumper Assembly, Front | 69 54 952 | 1 | 4D >1994 |
| 2 | Outer Casing | 92 77 484 | 1 | 4D >1994 Included With Bumper |
| 3 | Moulding | 69 55 033 | 2 | 4D >1994 Included With Bumper |
| 4 | Plate, License | 69 21 142 | 1 | 4D >1994 |
| 5 | Screw | 79 77 390 | 4 | 4D >1994 |
| 6 | Screw | 73 99 884 | 2 | 4D >1994 |
| 6A | Spring | 69 59 142 | 2 | 4D >1994 |
| 7 | Bumper Assembly, Front | 43 20 461 | 1 | All 1995> 4D, All CS |
| 7 | Bumper Assembly, Front | 44 84 689 | 1 | 5CS Aero |
| 8 | Outer Casing, Grey | 44 46 266 | 1 | All 1995> Included With Bumper |
| 8 | Outer Casing, Black | 44 35 327 | 1 | All 1995> Included With Bumper |
| 9 | Moulding | 40 89 736 | 1 | Included With Bumper |
| 10 | Screw | 73 99 884 | 2 | |
| 11 | Retainer, LH | 40 93 522 | 1 | |
| 11 | Retainer, RH | 40 93 514 | 1 | |
| 12 | Nut | 79 77 929 | 6 | |
| 13 | License Plate Bracket | 69 21 142 | 1 | |
| 14 | Screw | 79 77 390 | 4 | |
| 15 | Bumper, Rear | 40 93 969 | 1 | 4D 1994 |
| 15 | Bumper, Rear, Grey | 43 43 802 | 1 | 4D 1995> |
| 15 | Bumper, Rear, Black | 44 47 330 | 1 | 4D 1995> |
| 16 | Outer Casing | 40 93 977 | 1 | 4D 1994 Included With Bumper |
| 16 | Outer Casing, Grey | 44 47 868 | 1 | 4D 1995> Included With Bumper |
| 16 | Outer Casing, Black | 44 47 447 | 1 | 4D 1995> Included With Bumper |
| 17 | Moulding | 69 73 945 | 1 | 4D 1994 Included With Bumper |
| 17 | Moulding | 44 46 258 | 1 | 4D 1995> Included With Bumper |
| 18 | Bracket, LH | 43 40 634 | 1 | |
| 18 | Bracket, RH | 43 40 626 | 1 | |
| 19 | Rivet | 94 79 213 | 4 | |
| 20 | Moulding | 40 10 625 | 1 | |
| 21 | Clip | 40 13 256 | 7 | |
| 22 | Seal | 92 34 055 | 4 | |
| 23 | Nut | 79 67 979 | 4 | |
| 24 | Screw | 79 75 774 | 2 | 1994 |
| 24 | Screw | 79 22 370 | 2 | |
| 25 | Washer | | 2 | Discontinued |
| 26 | Nut | 79 82 325 | 2 | |



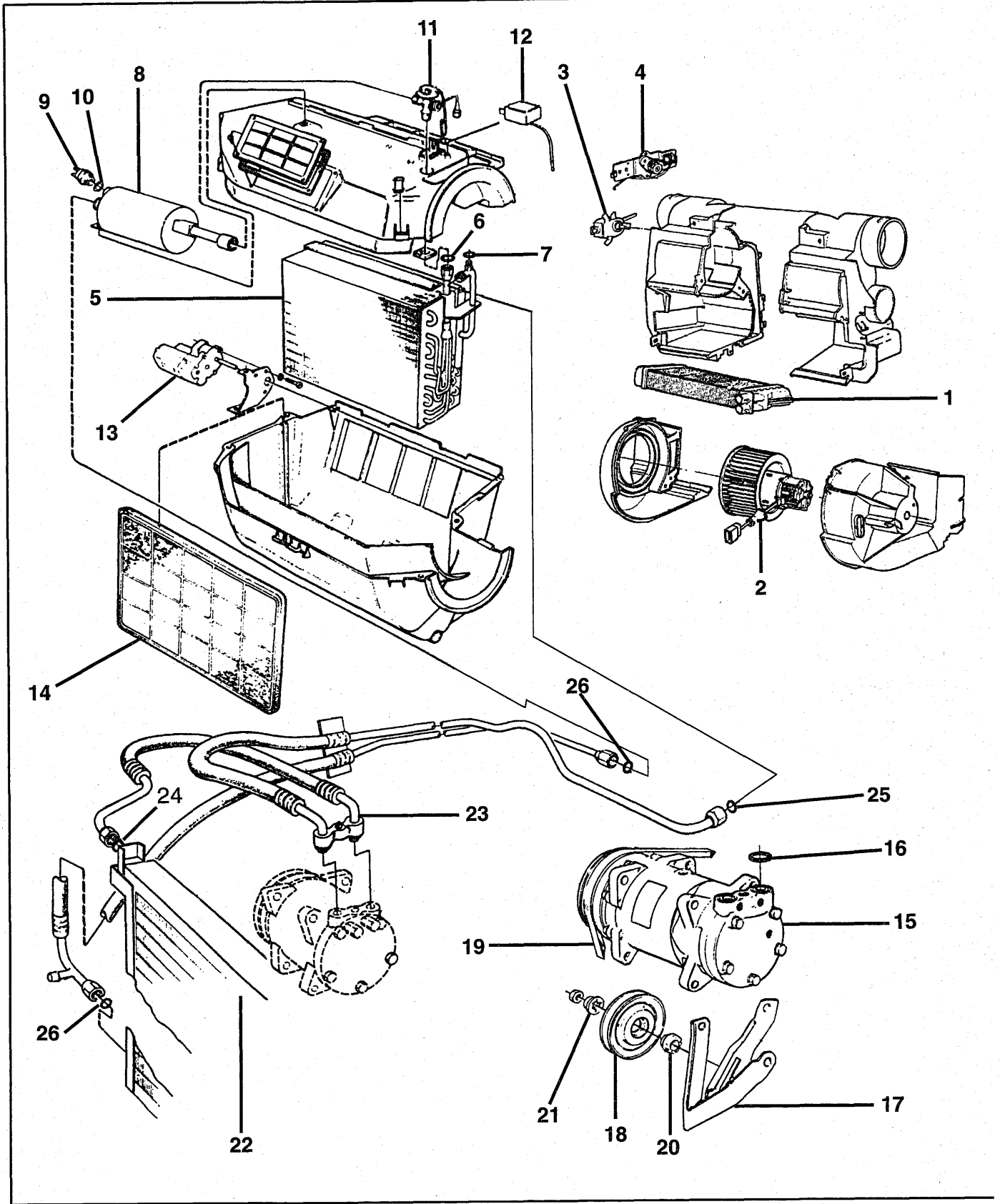
| KEY | DESCRIPTION | PART NUMBER | QTY. | NOTES |
|-----|-----------------------------|-------------|------|--------------------------|
| 27 | Bumper Assembly, Rear | 43 20 479 | 1 | 5CS |
| 27 | Bumper Assembly, Rear | 44 84 713 | 1 | 5CS Aero |
| 28 | Outer Casing, Black | 43 20 529 | 1 | 5CS Included With Bumper |
| 29 | Moulding | 40 89 744 | 1 | Included With Bumper |
| 30 | Retainer, LH | 40 93 373 | 1 | |
| 30 | Retainer, RH | 40 93 365 | 1 | |
| 31 | Screw | 79 22 370 | X | |
| 32 | Bushing | 69 11 804 | X | |
| 33 | Nut | 79 67 979 | 4 | |
| 34 | Spoiler, Front, Black | 43 44 214 | 1 | 4D 1994 |
| 35 | Air Deflector | 40 08 884 | 1 | 4D 1994 |
| 36 | Air Deflector, LH | 40 08 256 | 1 | 4D 1994 |
| 36 | Air Deflector, RH | 40 08 249 | 1 | 4D 1994 |
| 37 | Cover, Black | 69 58 904 | 1 | |
| 38 | Screw | 79 82 325 | X | |
| 39 | Press Nut | 79 82 655 | X | |
| 40 | Spoiler, Black | 40 91 062 | 1 | All 1995> |
| 41 | Cover | 40 90 858 | 1 | Included With Spoiler |
| 42 | Cover, LH | 40 90 890 | 1 | |
| 42 | Cover, RH | 40 90 882 | 1 | |
| 43 | Clip | 43 40 964 | 2 | |
| 44 | Air Shield, LH | 42 94 617 | 1 | |
| 44 | Air Shield, RH | 90 86 166 | 1 | |
| 45 | air Shield | 90 84 211 | 1 | |
| 46 | Screw | 79 82 325 | 14 | |
| 47 | Press Nut | 79 82 655 | 4 | |
| 48 | Screw | 79 73 134 | 6 | |
| 49 | Clip | 79 77 523 | 6 | |
| 50 | Screw | 80 19 598 | 5 | Requires 91 66 356 |
| 51 | Screw | 79 70 601 | 2 | |
| | Mounting Kit, Air Deflector | 40 09 502 | X | |
| 52 | Spoiler, Rear, Kit | 82 85 314 | 1 | 5CS |
| 53 | Retainer | 43 20 016 | 2 | Included In Kit |
| 54 | Screw | 79 72 466 | 2 | Included In Kit |
| 55 | Sealing Washer | 44 35 442 | 2 | Included In Kit |
| 56 | Nut | 79 77 929 | 5 | |



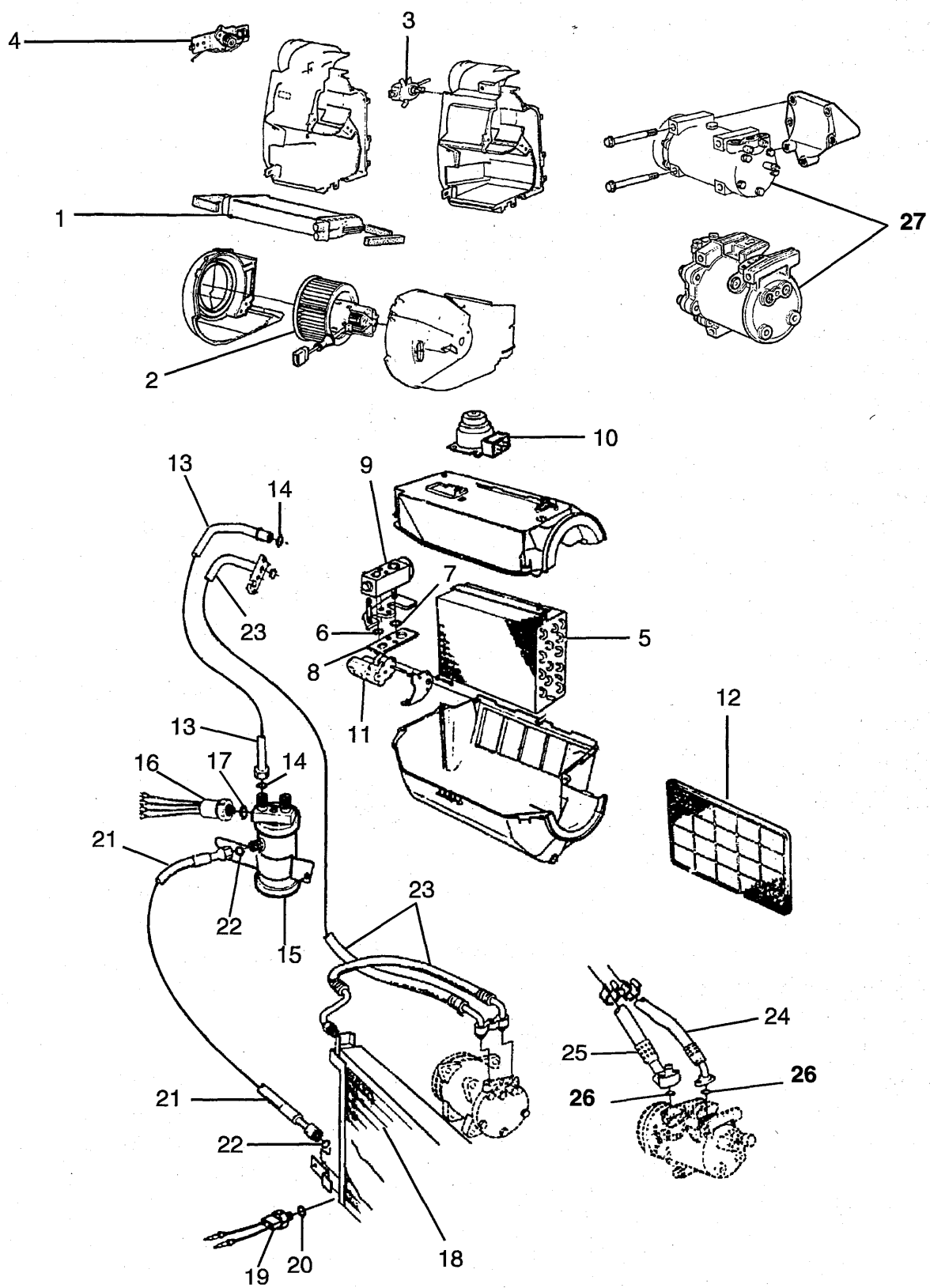
| KEY | DESCRIPTION | PART NUMBER | QTY. | NOTES |
|-----|-----------------------------------|-------------|------|--|
| 1 | Lock Set, Doors, Ignition & Trunk | 97 46 389 | 1 | 5D |
| 1 | Lock Set, Doors, Ignition & Trunk | 82 84 416 | 1 | >1990 4D |
| 1 | Lock Set, Doors, Ignition & Trunk | 82 84 424 | 1 | 1991-94 4D |
| 1 | Lock Set, Doors, Ignition & Trunk | 74 97 324 | 1 | 1995> 4D & 1993> 5CS |
| 2 | Door Lock Cylinder, 2 Keys, LH | 97 46 397 | 1 | |
| 2 | Door Lock Cylinder, 2 Keys, RH | 97 46 405 | 1 | |
| 3 | Trunk Lock Cylinder, 2 Keys | 97 46 439 | 1 | 5D |
| 3 | Trunk Lock Cylinder, 2 Keys | 82 84 234 | 1 | >1990 4D |
| 3 | Trunk Lock Cylinder, 2 Keys | 82 84 432 | 1 | 1991-94 4D |
| 3 | Trunk Lock Cylinder, 2 Keys | 82 84 911 | 1 | 5CS & 4D >1995 |
| 4 | Ignition Lock Cylinder, 2 Keys | 97 46 454 | 1 | |
| 5 | Glove Box Lock, 2 Keys | 92 61 108 | 1 | |
| | | | | Lock cylinders may be ordered to match original equipment locks. Use the part number listed below, stating key code as additional information. These cylinders are delivered without keys. |
| 6 | Lock Cylinder, Door, LH | 69 63 300 | X | State Key Code |
| 6 | Lock Cylinder, Door, RH | 69 63 318 | 1 | State Key Code |
| 7 | Lock Cylinder, Trunk | 92 61 090 | 1 | 5D State Key Code |
| 7 | Lock Cylinder, Trunk | 69 92 960 | 1 | >1990 4D State Key Code |
| 7 | Lock Cylinder, Trunk | 40 94 256 | 1 | 1991-94 4D State Key Code |
| 7 | Lock Cylinder, Trunk | 90 86 133 | 1 | 5CS & 4D 1995> State Key Code |
| 8 | Lock Cylinder, Ignition | 89 60 221 | 1 | State Key Code |
| 9 | Lock Cylinder, Glove Box | 82 84 192 | 1 | >1993 State Key Code |
| 9 | Lock Cylinder, Glove Box | 45 55 181 | 1 | 1994> State Key Code |
| 10 | Spare Key | 97 46 603 | 1 | State Key Code |



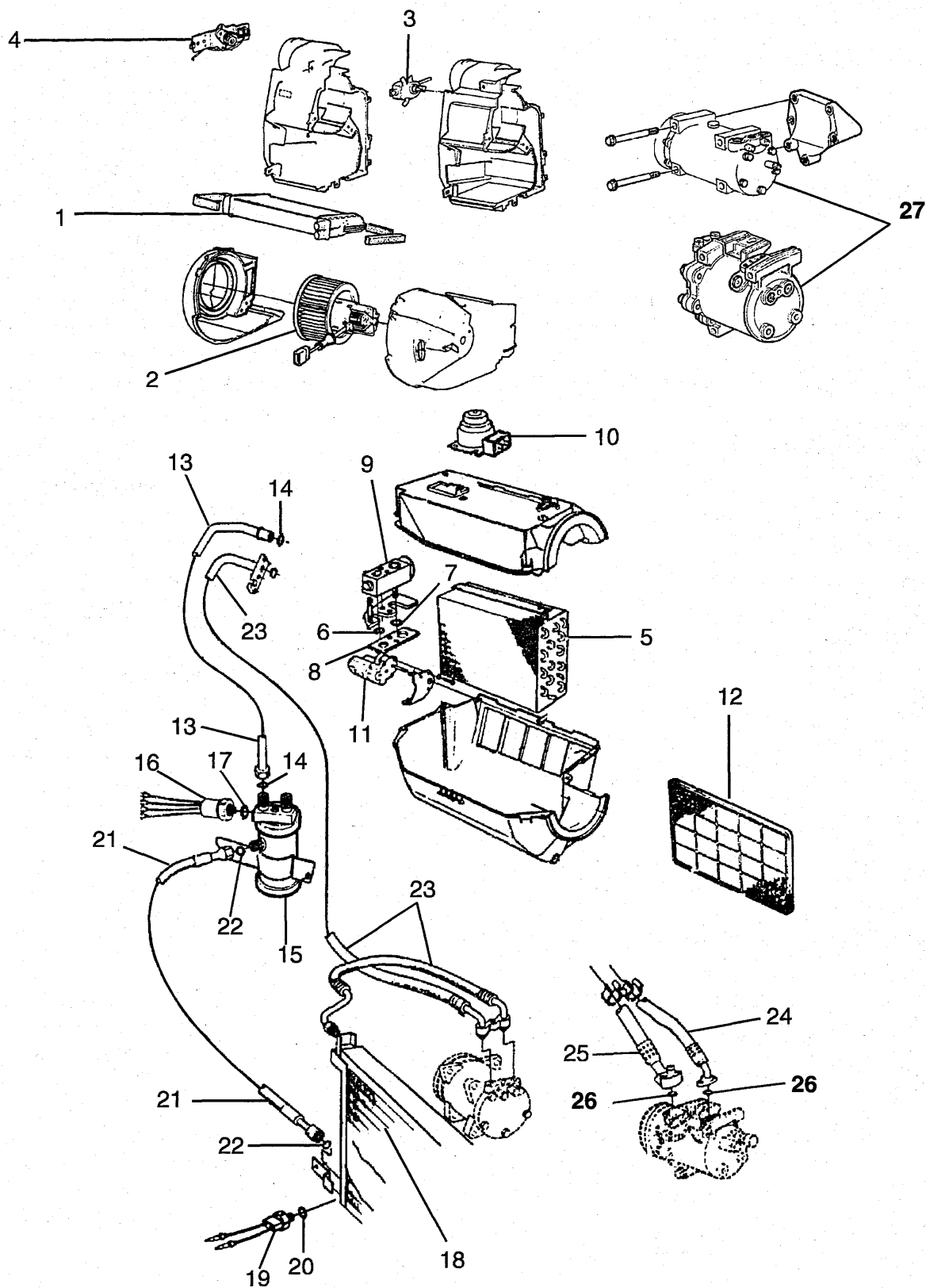
| KEY | DESCRIPTION | PART NUMBER | QTY. | NOTES |
|-----|------------------------------|-------------|------|--------------------------|
| 1 | Heater Core | 74 96 441 | 1 | |
| 2 | Fan Unit | 96 28 587 | 1 | >1986 Requires 95 01 685 |
| 2 | Fan Unit | 96 28 587 | 1 | 1987> |
| 3 | Angle Drive | 96 23 869 | 1 | |
| 4 | Electric Motor | 96 25 435 | 2 | |
| 5 | Fan Assembly | 96 26 052 | 1 | |
| 6 | Compressor Assembly | 43 19 992 | 1 | |
| 7 | Tension Arm | 75 54 215 | 1 | Requires 93 82 359 |
| 8 | Tension Pulley | 41 18 964 | 1 | |
| 9 | Belt | 93 82 383 | 1 | |
| 10 | Stub Axle | 93 86 343 | 1 | |
| 11 | Adjusting Sleeve | 93 86 350 | 1 | |
| 12 | O-Ring | 43 18 036 | 1 | |
| 13 | O-Ring | 43 18 028 | 2 | |
| 14 | O-Ring | 43 18 044 | 1 | |
| 15 | Condenser | 96 29 403 | 1 | |
| 16 | Receiver / Drier | 40 71 007 | 1 | |
| 17 | Low Pressure Switch | 96 27 159 | 1 | |
| 18 | O-Ring | 40 73 979 | 1 | Included With Switch |
| 19 | Expansion Valve | 94 80 914 | 1 | |
| 20 | Thermo Switch | 95 07 849 | 1 | |
| 21 | Air Filter | 96 25 674 | 1 | |
| 22 | Evaporator | 96 24 925 | 1 | |
| 23 | Motor Assembly | 96 24 867 | 1 | |
| | Conversion Kit, R12 To R134a | 74 96 375 | X | |



| KEY | DESCRIPTION | PART NUMBER | QTY. | NOTES |
|-----|--|-------------|------|--------------------------|
| 1 | Heater Core | 74 96 441 | 1 | >1991 |
| 2 | Fan Unit | 96 28 587 | 1 | |
| 3 | Angle Drive | 96 23 570 | 1 | W/O ACC |
| 4 | Motor Unit | 96 30 567 | 1 | With ACC |
| 5 | Evaporator | 96 24 925 | 1 | |
| 6 | O-Ring | 43 18 036 | 1 | |
| 7 | O-Ring | 79 72 078 | 1 | |
| 8 | Receiver / Driver | 40 71 007 | 1 | |
| 9 | Pressure Switch | 96 27 159 | 1 | |
| 10 | O-Ring | 40 73 979 | 1 | Included With Switch |
| 11 | Expansion Valve | 94 80 914 | 1 | |
| 12 | Thermo Contact | 95 07 849 | 1 | |
| 13 | Electric Motor | 96 24 867 | 1 | |
| 14 | Air Filter | 96 25 674 | 1 | |
| 15 | Compressor | 43 19 810 | 1 | B202 |
| 15 | Compressor | 43 19 828 | 1 | B234 |
| 16 | O-Ring | 40 71 999 | 2 | Included With Compressor |
| 17 | Tension Arm | 93 82 359 | 1 | |
| 18 | Tension Pulley | 41 18 964 | 1 | |
| 19 | Belt | 93 82 383 | 1 | |
| 20 | Stub Axle | 93 86 343 | 1 | |
| 21 | Adjusting Sleeve | 93 86 350 | 1 | |
| 22 | Condenser | 96 29 403 | 1 | 1990 |
| 22 | Condenser | 47 55 492 | 1 | 1991 Requires 74 95 559 |
| 23 | Hose, Condenser / Compressor / Evaporator | 96 29 577 | 1 | Turbo |
| 22 | Hose, Condenser / Compressor / Evaporator | 96 29 585 | 1 | Fuel Injection |
| 24 | O-Ring | 43 18 036 | 1 | Included With Hose |
| 25 | O-Ring | 43 18 044 | 1 | Included With Hose |
| 26 | O-Ring | 43 18 028 | 2 | Included With Hose |
| | Conversion Kit, R12 To R134a | 74 96 466 | X | |



| KEY | DESCRIPTION | PART NUMBER | QTY. | NOTES |
|-----|--|-------------|------|---|
| 1 | Heater Core | 45 42 981 | 1 | |
| 2 | Fan Unit | 96 28 587 | 1 | |
| 3 | Angle Drive | 96 23 570 | 1 | W/O ACC |
| 4 | Motor Unit | 96 30 567 | 1 | ACC VIN >N10141839 |
| 4 | Motor Unit | 43 19 190 | 1 | ACC VIN N1014840> |
| 5 | Evaporator | 43 19 117 | 1 | |
| 6 | O-Ring | 43 18 036 | 1 | Included With Evaporator |
| 7 | O-Ring | 43 18 044 | 1 | Included With Evaporator |
| 8 | Seal | 40 73 391 | 1 | Included With Evaporator |
| 9 | Expansion Valve | 43 19 158 | 1 | 1992> For R134a |
| 10 | Thermo Contact | 45 42 973 | 1 | |
| 11 | Electric Motor | 96 24 867 | 1 | |
| 12 | Air Filter | 40 72 393 | 1 | |
| 13 | Hose, Evaporator / Receiver / Drier | 43 19 570 | 1 | >1993 |
| 13 | Hose, Evaporator / Receiver / Drier | 43 82 800 | 1 | 1994> |
| 14 | O-Ring | 43 18 028 | 2 | Included With Hose |
| 15 | Receiver / Drier | 40 74 340 | 1 | VIN >P1028557 |
| 15 | Receiver / Drier | 43 83 584 | 1 | VIN P1028558> |
| 16 | Pressure Switch | 43 19 984 | 1 | >1993 |
| 16 | Pressure Switch | 43 83 170 | 1 | 1994> |
| 17 | O-Ring | 40 73 979 | 1 | Included With Switch |
| 18 | Condenser | 47 55 492 | 1 | 1992-93 |
| | Requires Service Kit (Not Shown) | 74 95 559 | 1 | |
| 18 | Condenser | 47 55 492 | 1 | 1994> |
| 19 | Pressure Switch | 40 71 981 | 1 | >1993 |
| 19 | Pressure Switch | 43 83 188 | 1 | 1994> |
| 20 | O-Ring | 40 73 979 | 1 | Included With Switch |
| 21 | Hose, Condenser / Receiver / Drier | 43 83 238 | 1 | |
| 22 | O-Ring | 43 18 028 | 1 | Included With Hose |
| 23 | Hose, Compressor / Condenser / Evaporator | 46 32 857 | 1 | Turbo 1992 |
| 23 | Hose, Compressor / Condenser / Evaporator | 46 32 865 | 1 | Fuel Injection 1992 |
| 24 | Hose, Compressor / Condenser | 43 82 628 | 1 | Fuel Injection 1993> VIN >R1031921, B204, B234, B204S R134a |



| KEY | DESCRIPTION | PART NUMBER | QTY. | NOTES |
|-----|-------------------------------|-------------|------|---|
| 24 | Hose, Compressor / Condenser | 43 82 610 | 1 | Turbo 1993> VIN >R1031921, B204L, B234L, B234E, B234R |
| 24 | Hose, Compressor / Condenser | 47 55 666 | 1 | VIN R1031922> B204I, B234L, B234E, B234R |
| 24 | Hose, Compressor / Condenser | 43 19 075 | 1 | B308 |
| 25 | Hose, Compressor / Evaporator | 43 82 644 | 1 | >1993 R134a |
| 25 | Hose, Compressor / Evaporator | 43 82 818 | 1 | 1994> VIN >R1031921 B204, B2334 R134a |
| 25 | Hose, Compressor / Evaporator | 46 32 196 | 1 | VIN R1031922> B204I, B234I, B204S |
| 25 | Hose, Compressor / Evaporator | 47 55 666 | 1 | VIN R1031922> B204L, B234L, B234E, B234R |
| 25 | Hose, Compressor / Evaporator | 43 83 212 | 1 | B308 |
| 26 | O-Ring | 43 18 143 | 2 | Included With Compressor |
| 27 | Compressor | 43 19 828 | 1 | B234 1992 |
| 27 | Compressor | 43 82 388 | 1 | B234 RAC 1992 |
| 27 | Compressor | 46 32 055 | 1 | VIN >R1031921 |
| 27 | Compressor | 43 19 240 | 1 | VIN R1031922> >T1020957 |
| 27 | Compressor | 46 35 108 | 1 | B308 |
| 27 | Compressor | 48 68 659 | 1 | VIN T1020958> 1998 |
| | Conversion Kit, R12 To R134a | 74 96 383 | X | 1992 |



SAAB

Saab Cars USA, Inc
4405-A International Drive
Norcross, GA 30093

Saab P/N 02 13 850
Printed 12/98