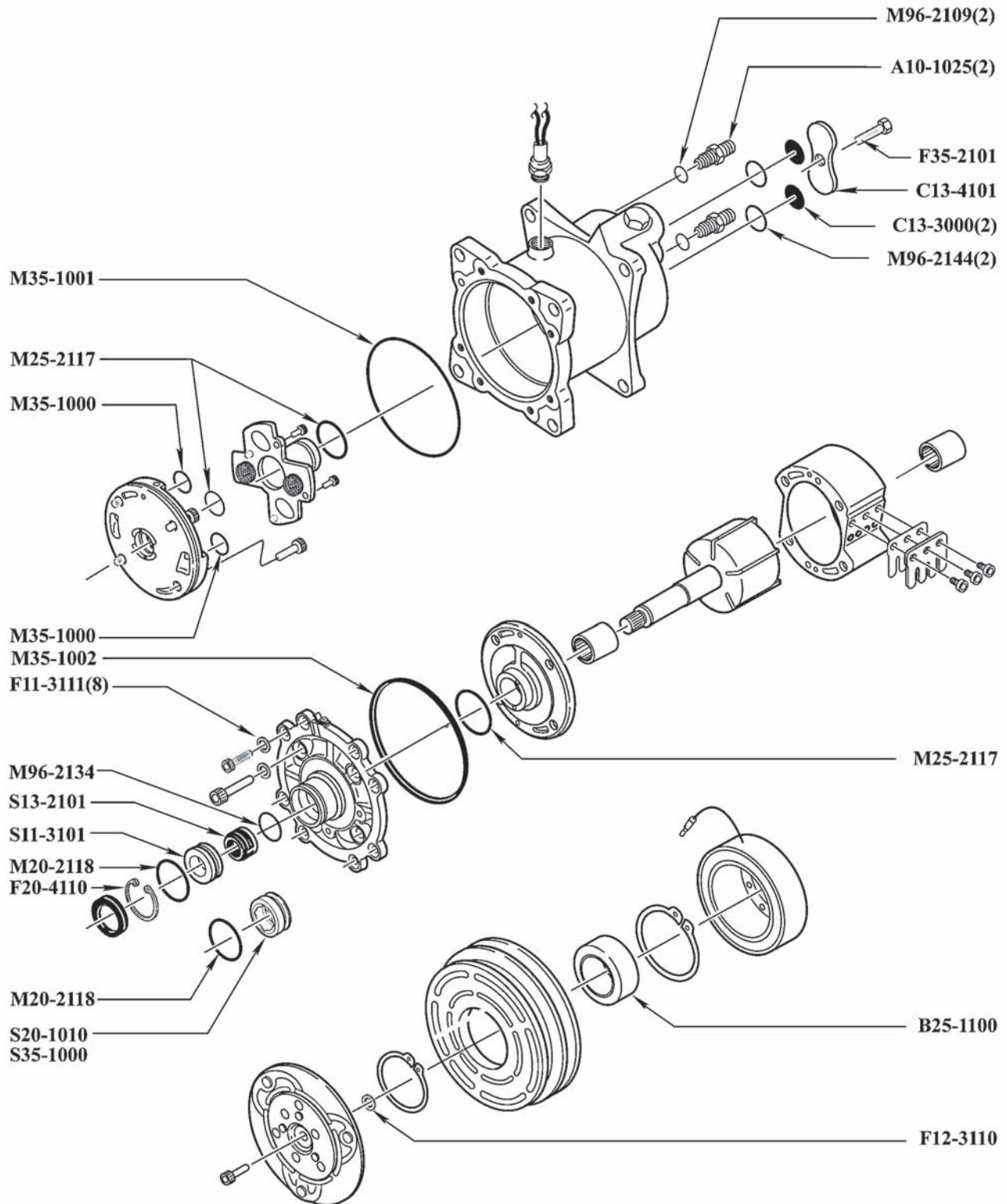


SEIKO-SEIKI

SS170PSS



SEIKO-SEIKI

SS170PSS

O-Rings	R134a and R-12 Compatible	Green HNBR	Black Nitrile
Carbon Shaft Seal O-Ring		M96-2134	M96-1034
Case O-Ring (Center)			M35-1001
Case O-Ring (Front)			M35-1002
Internal Rotor O-Ring		M25-2117	M25-1017
Internal Suction O-Ring			M35-1000
Service Port O-Ring		M96-2109	M96-1009
Shaft Seal Seat/Lip Seal O-Ring		M20-2118	M20-1018
Suction / Discharge Port O-Ring		M96-2144	M96-1044

Bearings

Clutch Bearing (40mm x 62mm x 24mm) **B25-1100**

Chemicals

Ultra PAG Oil 100 - 6pk, 8 oz Bottle **MT3013**

Ultra PAG Oil 100 - 6pk, Quart Bottle **MT3019**

Ultra PAG Oil 100 - Drum (52 gal) **A10-6164**

Fasteners

Bolt - Shipping Plate **F35-2101**

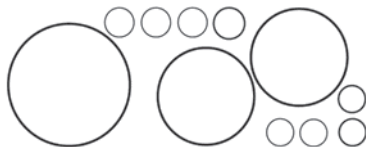
Retaining Ring - Lip Seal **F20-4110**

Shim - Clutch (0.38mm) **F12-3110**

Washer - Head Bolt **F11-3111**

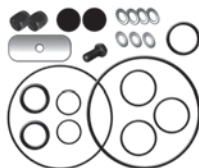
Gaskets

O-Ring Kit **Black Nitrile K35-2005**



Includes: Metal Seal Seat O-Ring (1), Internal / Front / Rear Rotor O-Ring (3), Internal Suction O-Ring (2), Center Rotor O-Ring (2), Nose O-Ring (1), Suction / Discharge O-Ring (2)

O-Ring Kit **K35-6001**



Includes: Low Side Cap 1/4" Fitting (2), Shipping Pad (2), Shipping Plate (1), Shipping Plate Bolt (1), Head Bolt Washer (4), Clutch Shim (3), Shaft Seal Seat O-Ring (1), Internal Rotor O-Ring (3), Internal Suction O-Ring (2), Center Case O-Ring (1), Nose

Service Items

Fitting (Refrigerant) - 1/8-28 UNF w/Valve/O-Ring **A10-1025**

Shaft Seals

Carbon Shaft Seal **HNBR S13-2101**

Shaft Seals

Felt Ring **S25-4103**

Lip Seal (Double) **Nitrile S35-1000**

Lip Seal (Triple) **Nitrile S20-1010**

Metal Shaft Seal Seat **S11-3101**

Carbon Shaft Seal Kit **Green HNBR K35-3105**



Includes: Shaft Seal Retaining Ring (1), Carbon Shaft Seal (1), Metal Shaft Seal Seat (1), Metal Shaft Seal Seat O-Ring (1)

Lip Seal Kit **Black Nitrile K35-3010**



Includes: Lip Seal (1), Lip Seal Retaining Ring (1)

Lip Seal Kit (Late Model) **Green HNBR K20-3130**



Includes: Lip Seal Retaining Ring (1), Lip Seal (1), Lip Seal O-Ring (1)

Shipping Closures

Cap - 1/4" Low Side **C10-1000**

Shipping Pad (Use with C13-4100 or C13-4101) **C13-3000**

Shipping Plate (Rectangular) (Use with 2 C13-3000) **C13-4100**

SEIKO-SEIKI

SS170PSS

Shipping Closures

Shipping Plate (Rounded) (Use with 2 C13-3000) **C13-4101**

Tools

Shaft Seal Protector, Adjustable **T95-1226**

